

[54] BICYCLE

[76] Inventor: John Cruze Silva, Jr., P.O. Box 1082, Saugus, Mass. 01970

[**] Term: 14 Years

[21] Appl. No.: 574,408

[22] Filed: May 5, 1975

[51] Int. Cl. D12-11

[52] U.S. Cl. D12/111

[58] Field of Search D12/111; 280/281, 274, 280/270

[56] References Cited

U.S. PATENT DOCUMENTS

- D. 138,304 7/1944 Boynton D12/111
- D. 202,968 11/1965 Carey et al. D12/111

OTHER PUBLICATIONS

American Bicyclist & Motorcyclist, 7/58, p. 18, "Lazy-bones" Bike, top left side of page.

Primary Examiner—Susie J. Mercer

Assistant Examiner—James M. Gandy

Attorney, Agent, or Firm—Thomas C. Stover, Jr.

[57] CLAIM

The ornamental design for a bicycle, as shown.

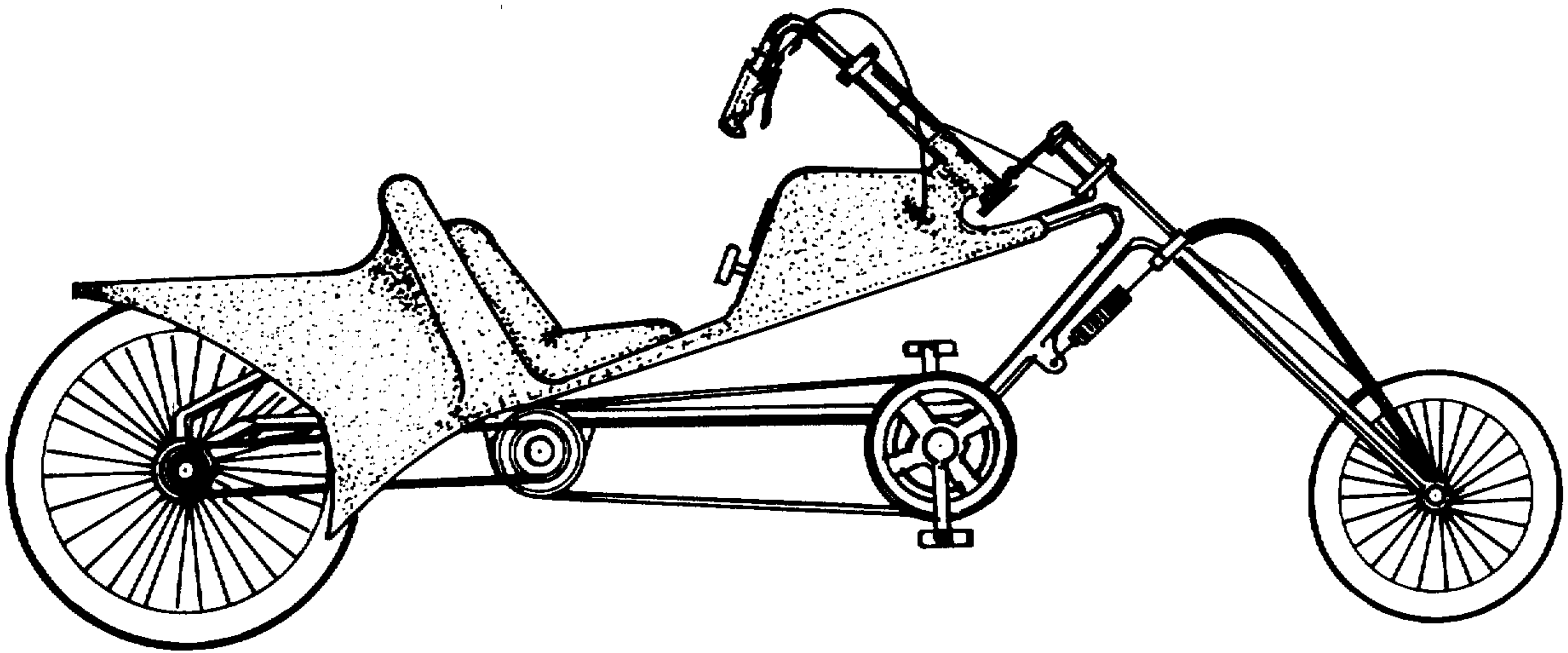
DESCRIPTION

FIG. 1 is a side elevational view of a bicycle showing my new design the opposite side being a mirror image thereof.

FIG. 2 is a top plan view thereof.

FIG. 3 is a front end elevational view thereof.

FIG. 4 is a rear end elevational view thereof.



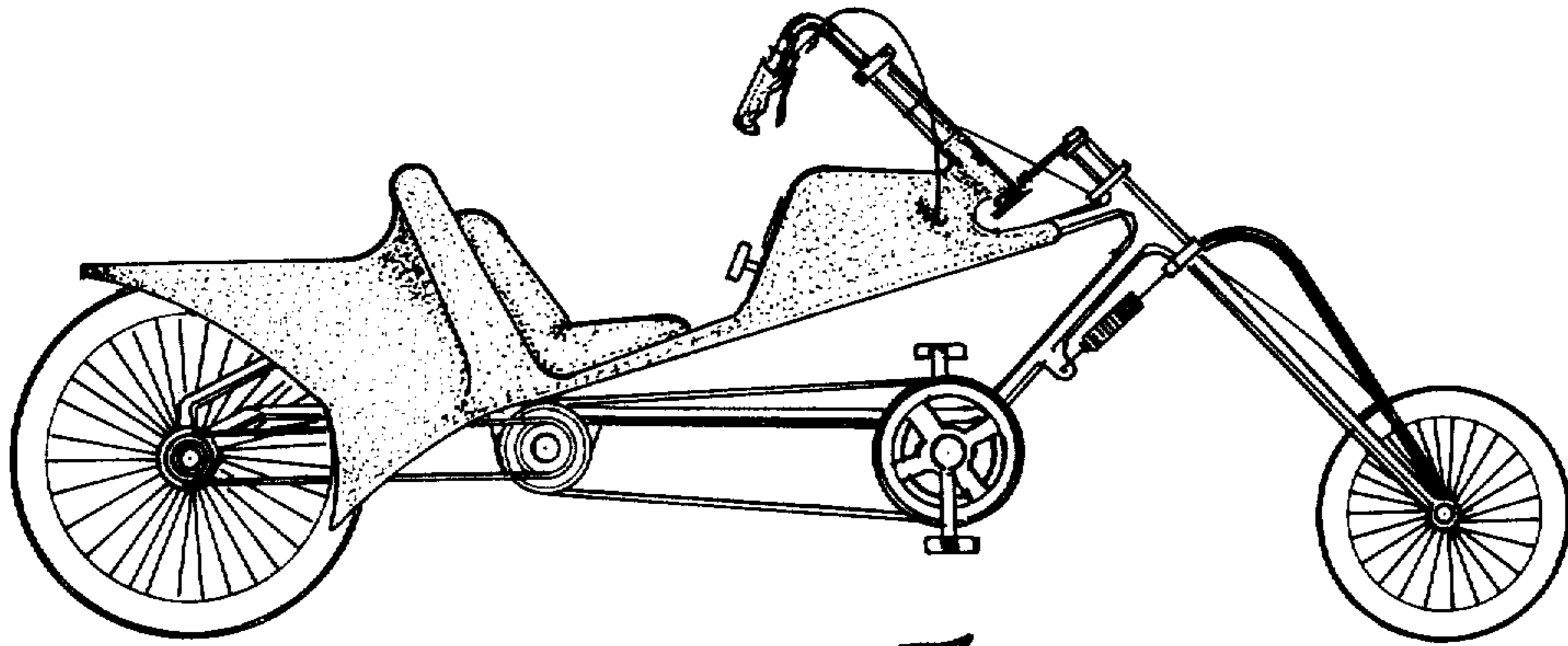


Fig. 1

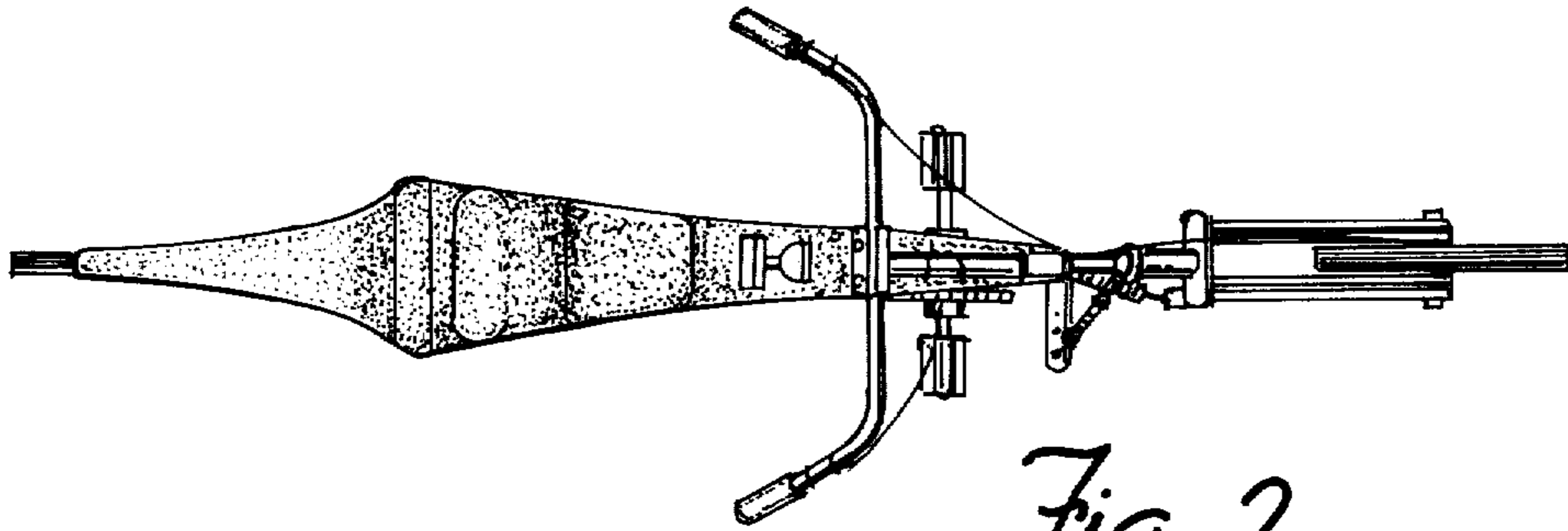


Fig. 2

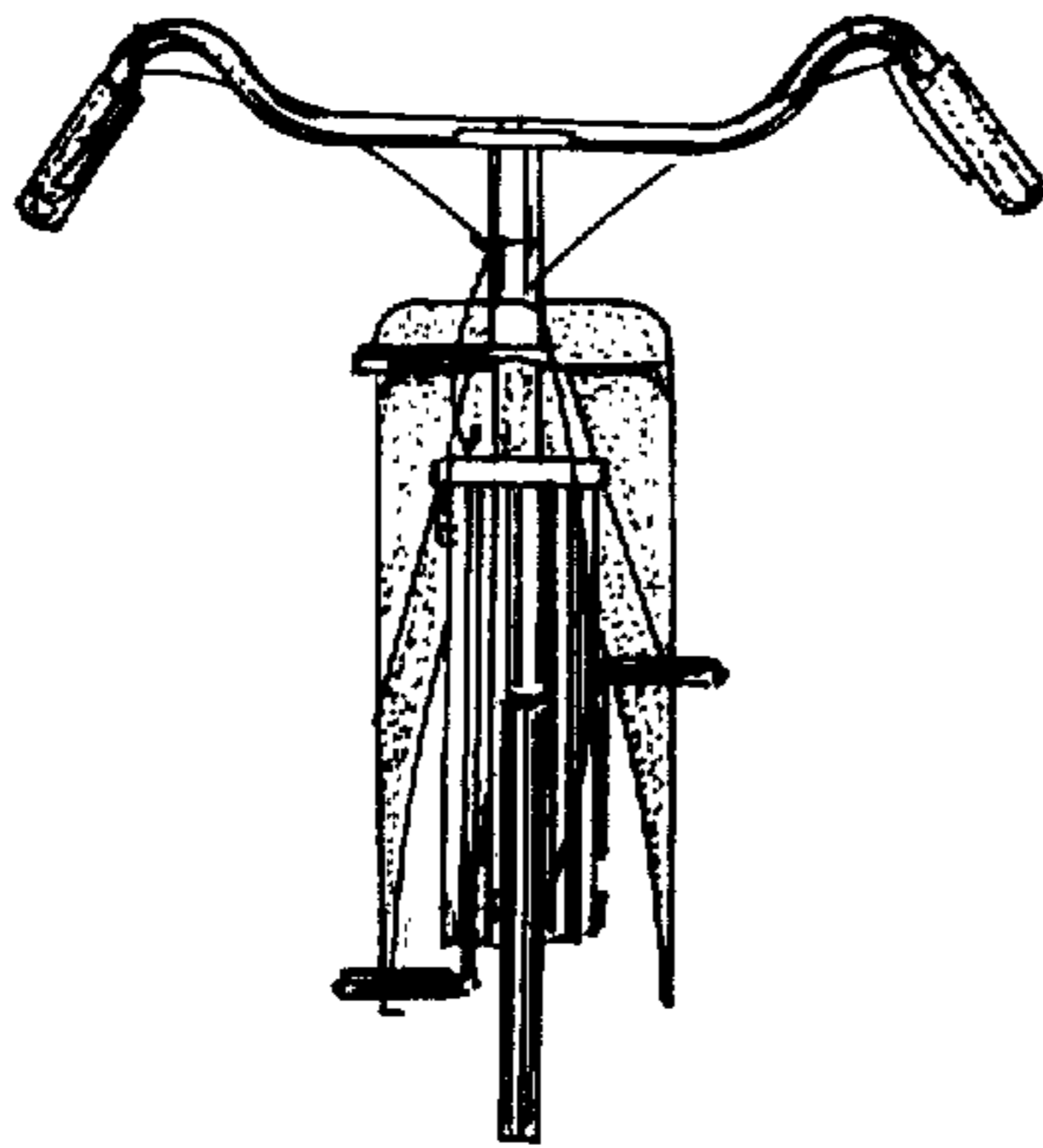


Fig. 3

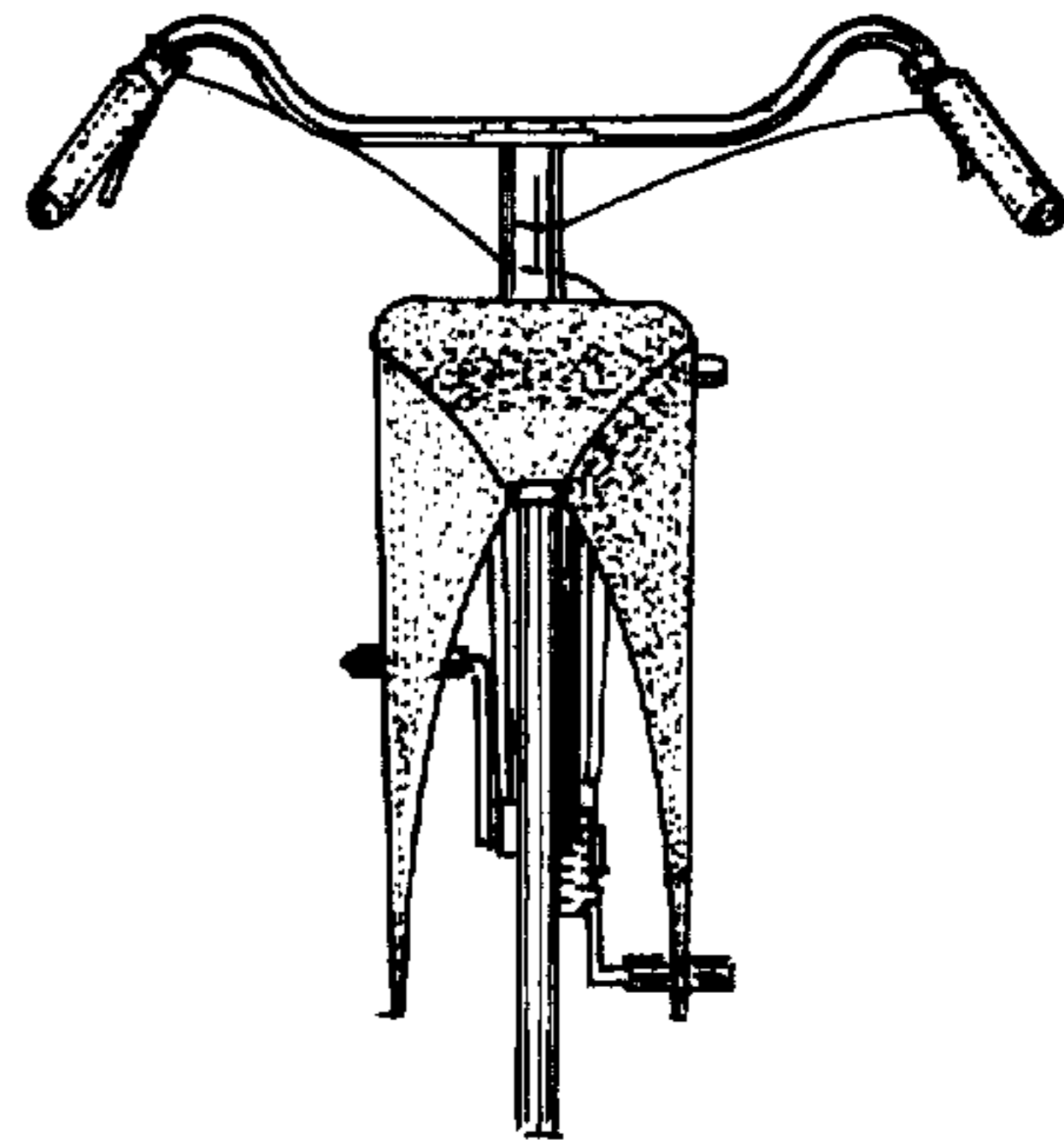


Fig. 4