

[54] CART FOR HOUSE AND GARDEN TOOLS

[76] Inventor: James R. Kardas, Manchester Center, Vt. 05255

[**] Term: 14 Years

[21] Appl. No.: 624,082

[22] Filed: Oct. 20, 1975

[51] Int. Cl. D12-02

[52] U.S. Cl. D12/32

[58] Field of Search D12/32, 33, 34; 280/43.1, 40, 47.13 R, 47.17, 47.19, 47.26, 47.34, 47.35, 79.1, 79.2, 79.3, 645, 646, 651, 652, 654

[56] References Cited

U.S. PATENT DOCUMENTS

3,145,031	8/1964	Wilkinson	280/47.35
3,210,091	10/1965	NG	280/47.35
D. 208,536	9/1967	Clark et al.	D12/32

OTHER PUBLICATIONS

Hardware Age, Mar. 9, 1961, p105, Portable Garden Tool Cart, bottom center of page.

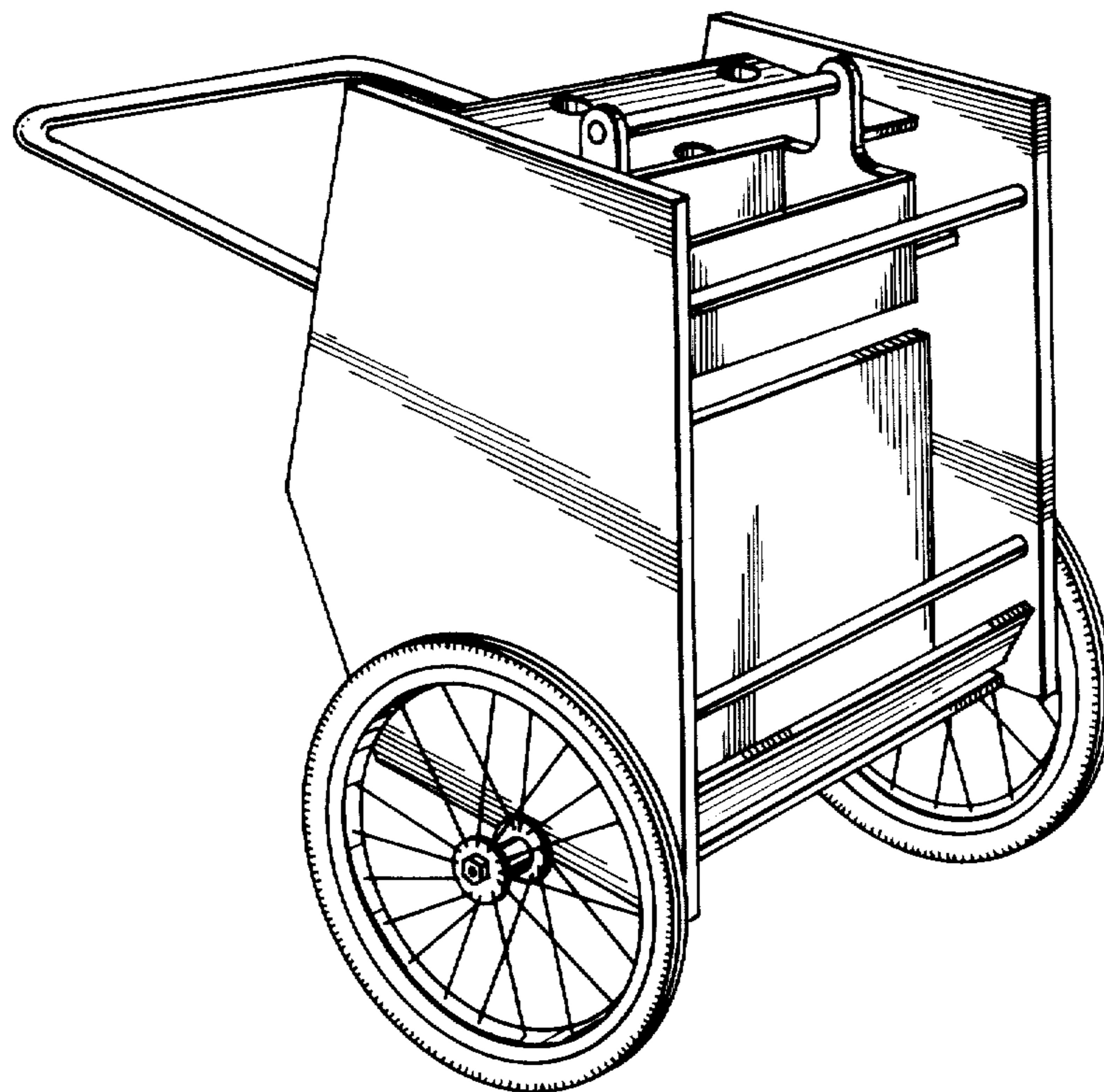
Primary Examiner—Wallace R. Burke
Assistant Examiner—James M. Gandy
Attorney, Agent, or Firm—Alex Friedman

[57] CLAIM

The ornamental design for a cart for house and garden tools, as shown and described.

DESCRIPTION

FIG. 1 is a left side elevational view of a cart for house and garden tools showing my new design, the right side being a mirror image thereof;
FIG. 2 is a front elevational view thereof;
FIG. 3 is a top plan view thereof;
FIG. 4 is a rear elevational view thereof;
FIG. 5 is a bottom plan view thereof; and
FIG. 6 is a front and left side perspective view thereof.



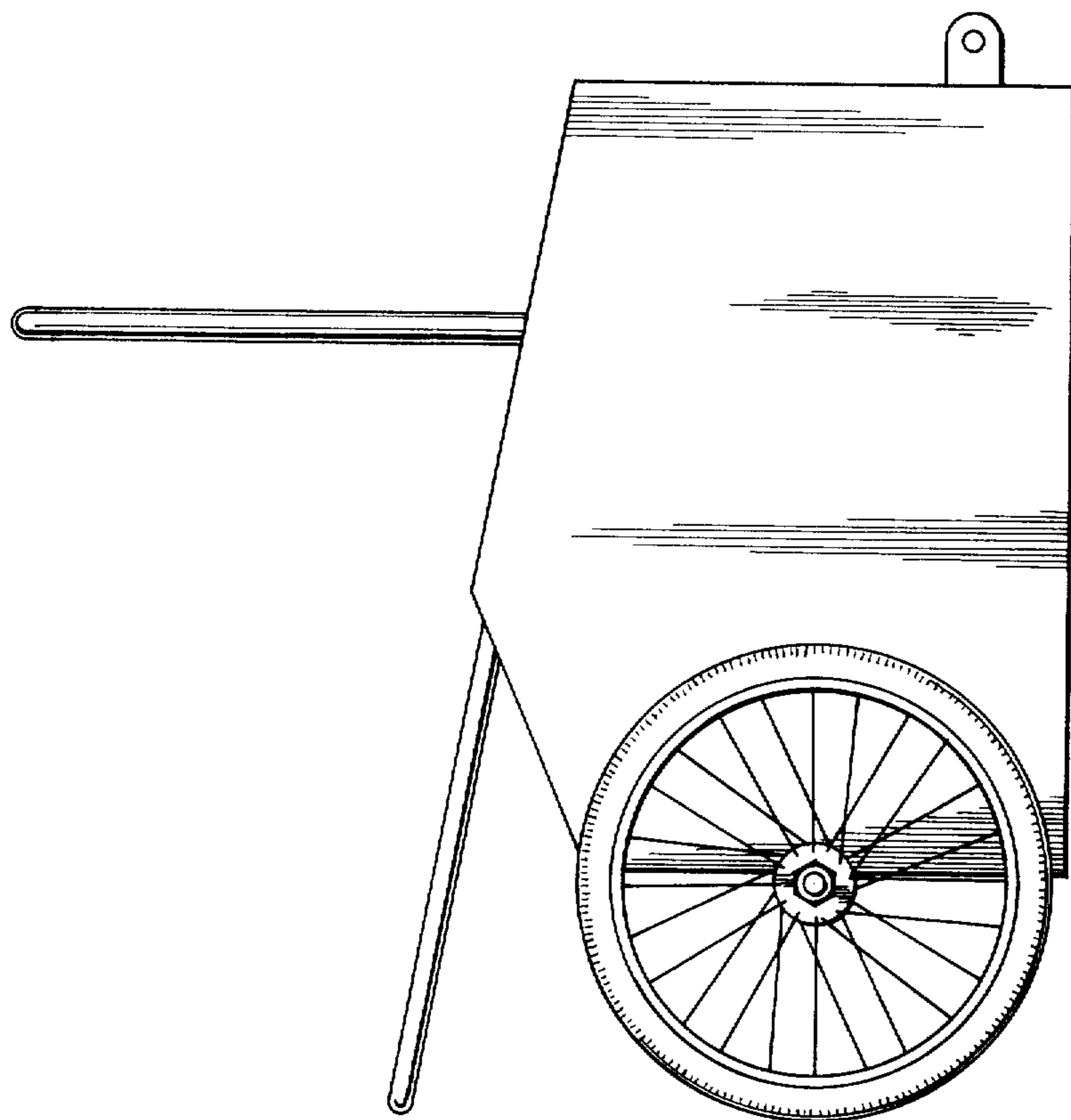


FIG. 1

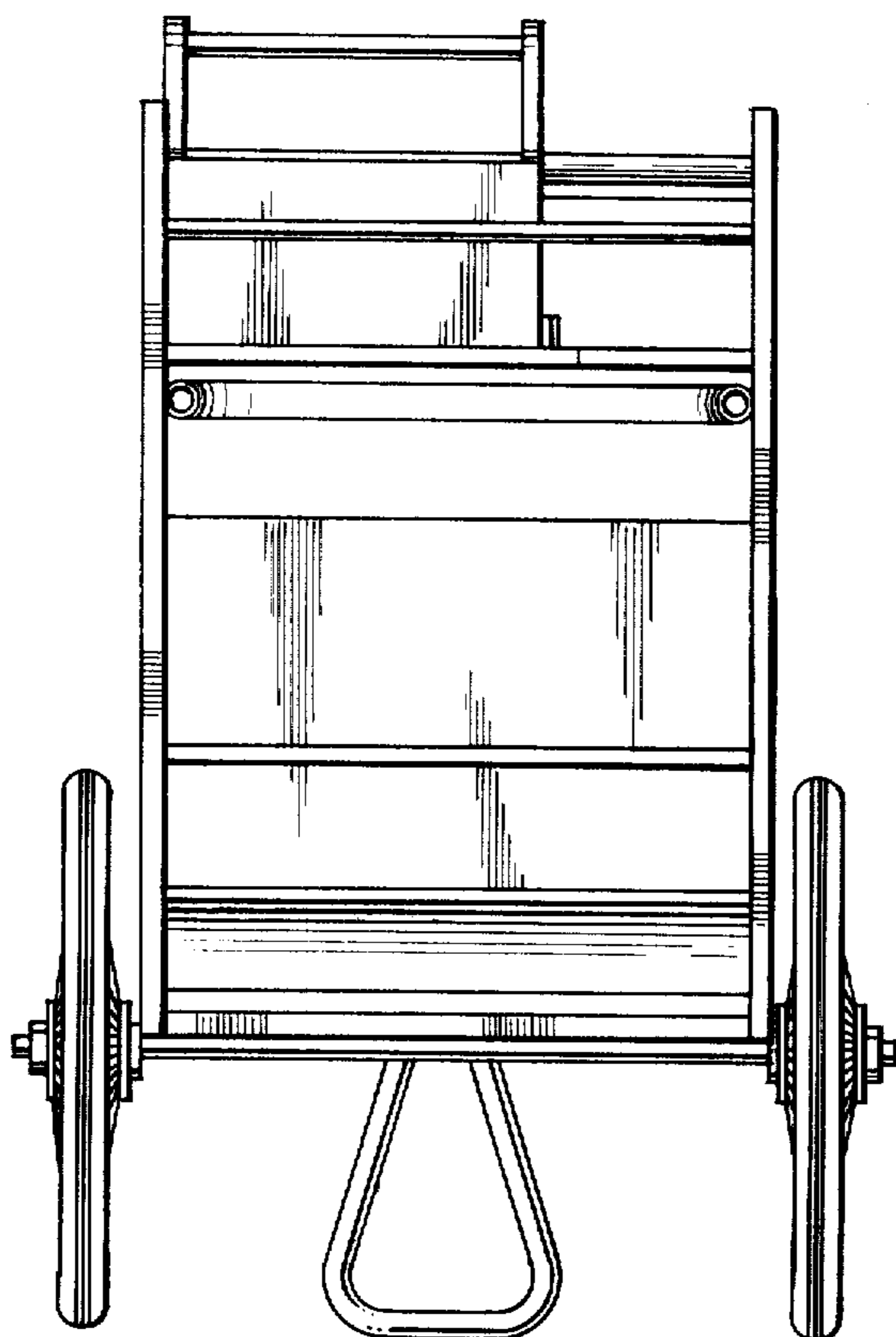


FIG. 2

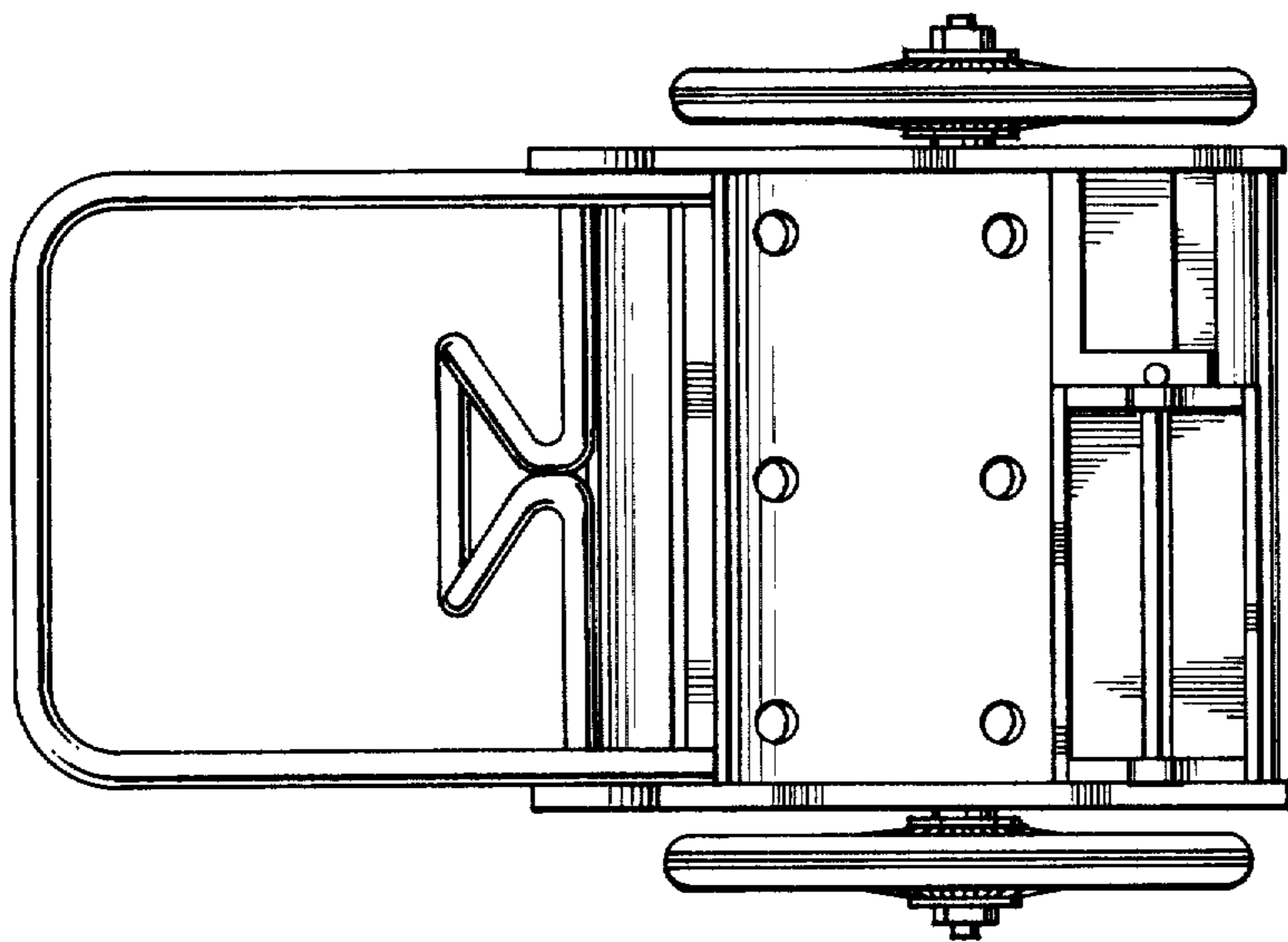
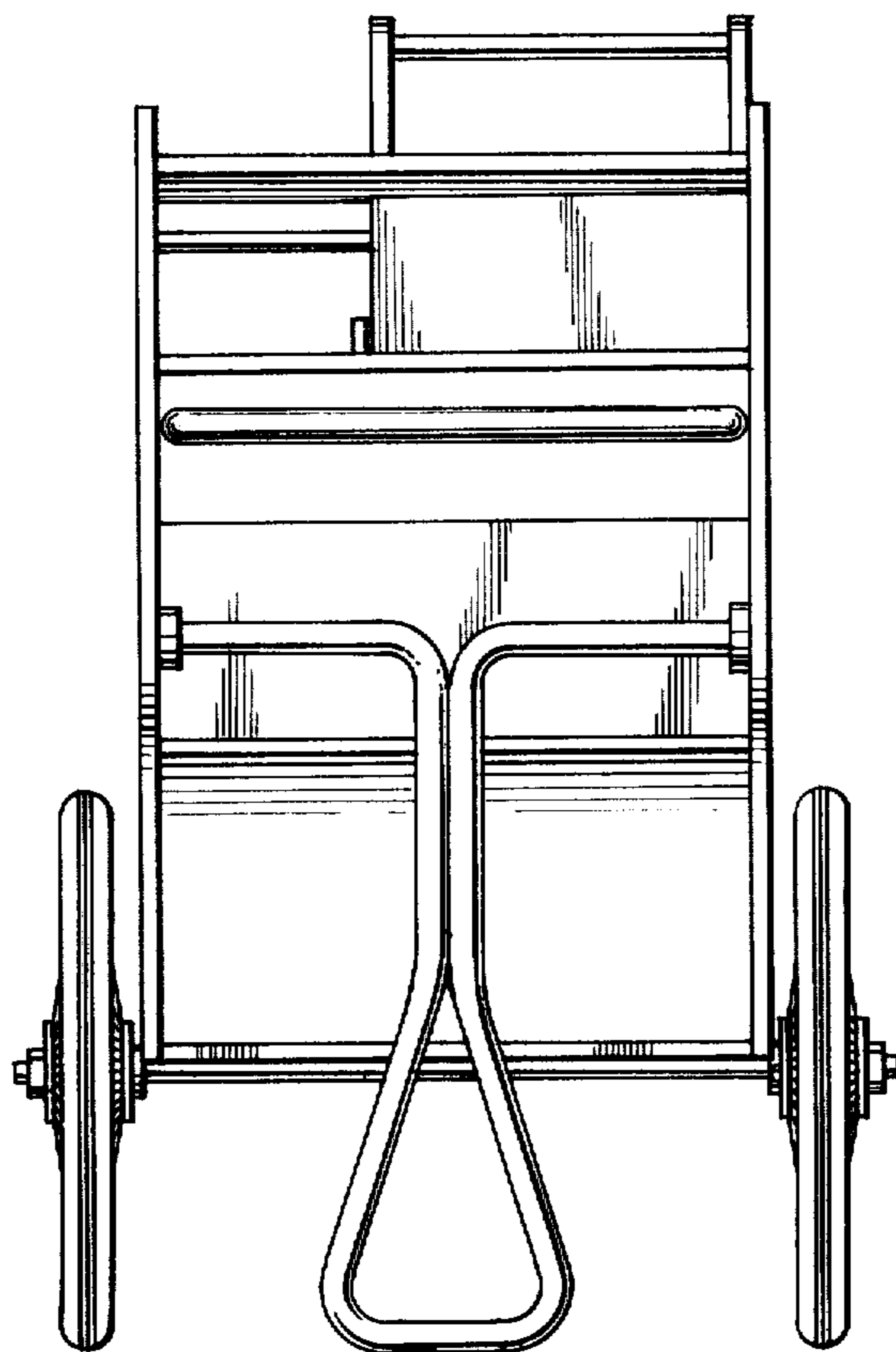


FIG. 3

FIG. 4



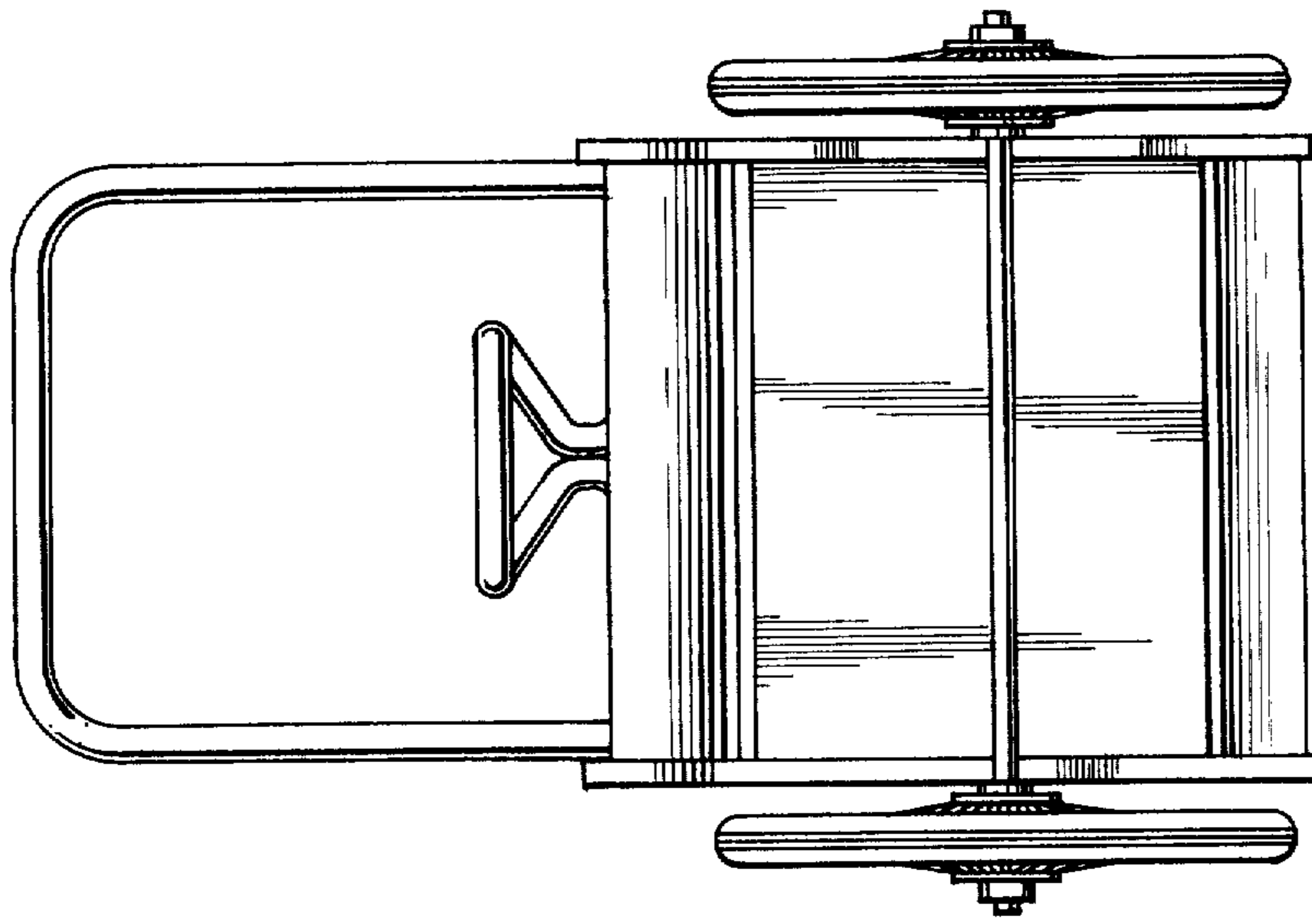


FIG. 5

FIG. 6

