

[54] INTERVAL SIGNALLING TIMER

[75] Inventor: Daniel F. Krause, Loveland, Colo.

[73] Assignee: Teletymer Inc., Denver, Colo.

[\*\*] Term: 14 Years

[21] Appl. No.: 592,738

[22] Filed: July 3, 1975

[51] Int. Cl. .... D10-02

[52] U.S. Cl. .... D10/40

[58] Field of Search ..... D10/1, 30-40;  
58/12-14, 21.13-21.14, 38, 39.5

[56] References Cited

U.S. PATENT DOCUMENTS

3,088,270	5/1963	King	58/39.5
D. 237,260	10/1975	Innes	D10/30
D. 238,760	2/1976	Daum	D10/40

OTHER PUBLICATIONS

*Jeweler's Circular-Keystone*, Dec. 1973, p. 124 - Timer at bottom-right.

Primary Examiner—Nelson C. Holtje  
Attorney, Agent, or Firm—Wm. Griffith Edwards

[57] CLAIM

The ornamental design for an interval signalling timer, as shown and described.

DESCRIPTION

FIG. 1 is a top right front perspective view of an interval signalling timer showing my new design;

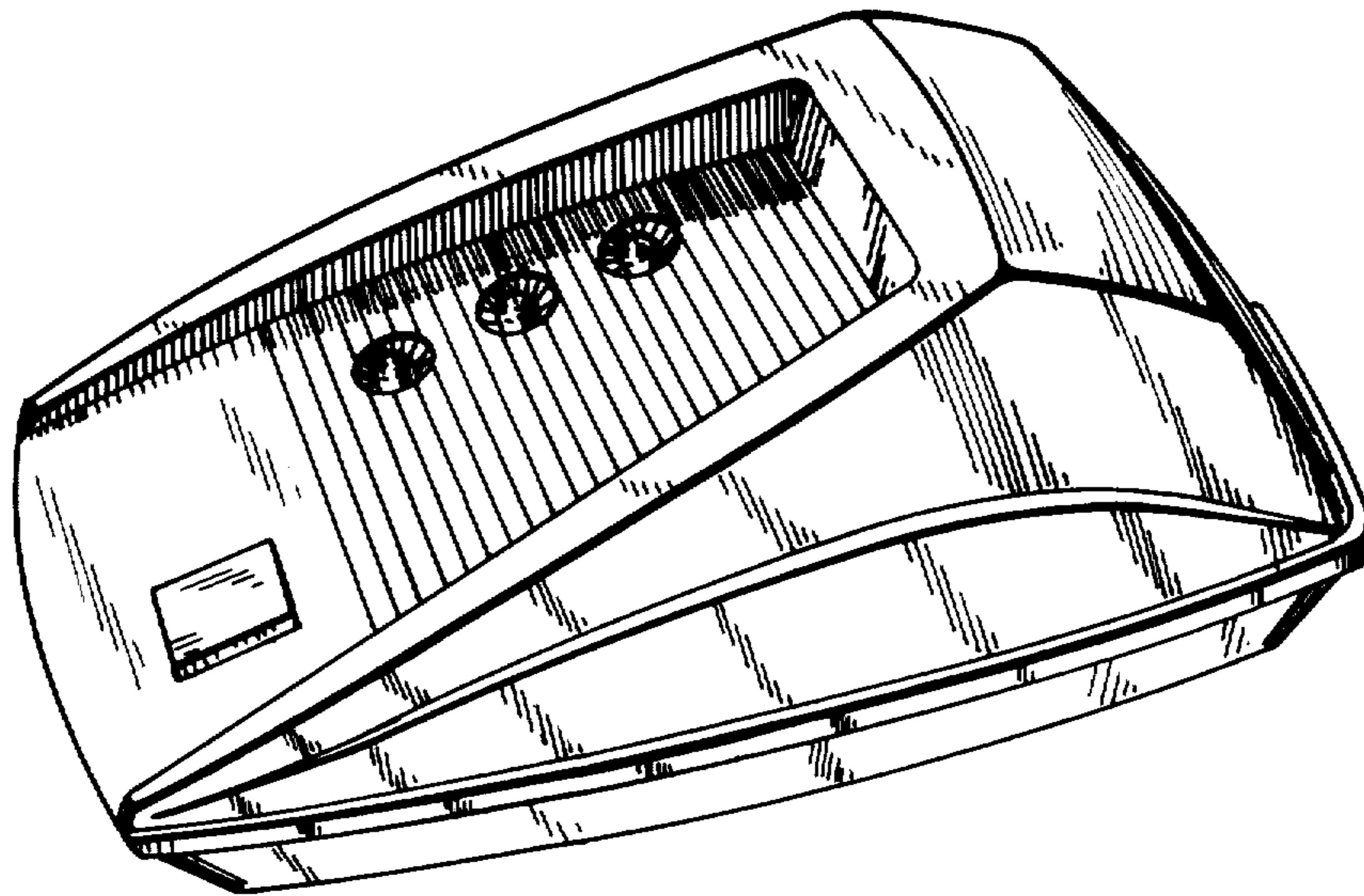
FIG. 2 is a right side elevational view thereof, the left side being a mirror image thereto;

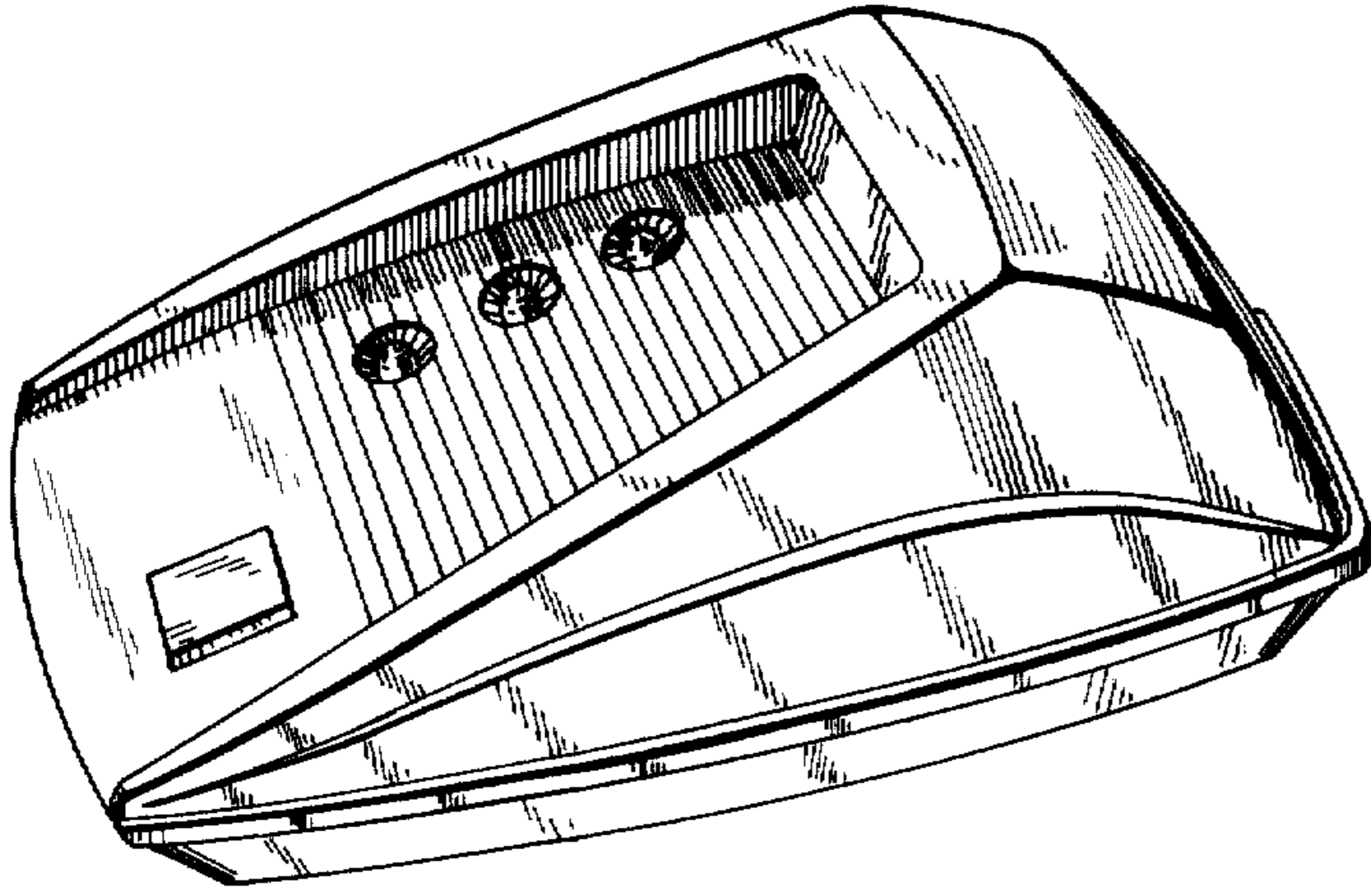
FIG. 3 is a top plan view thereof;

FIG. 4 is a front elevational view thereof;

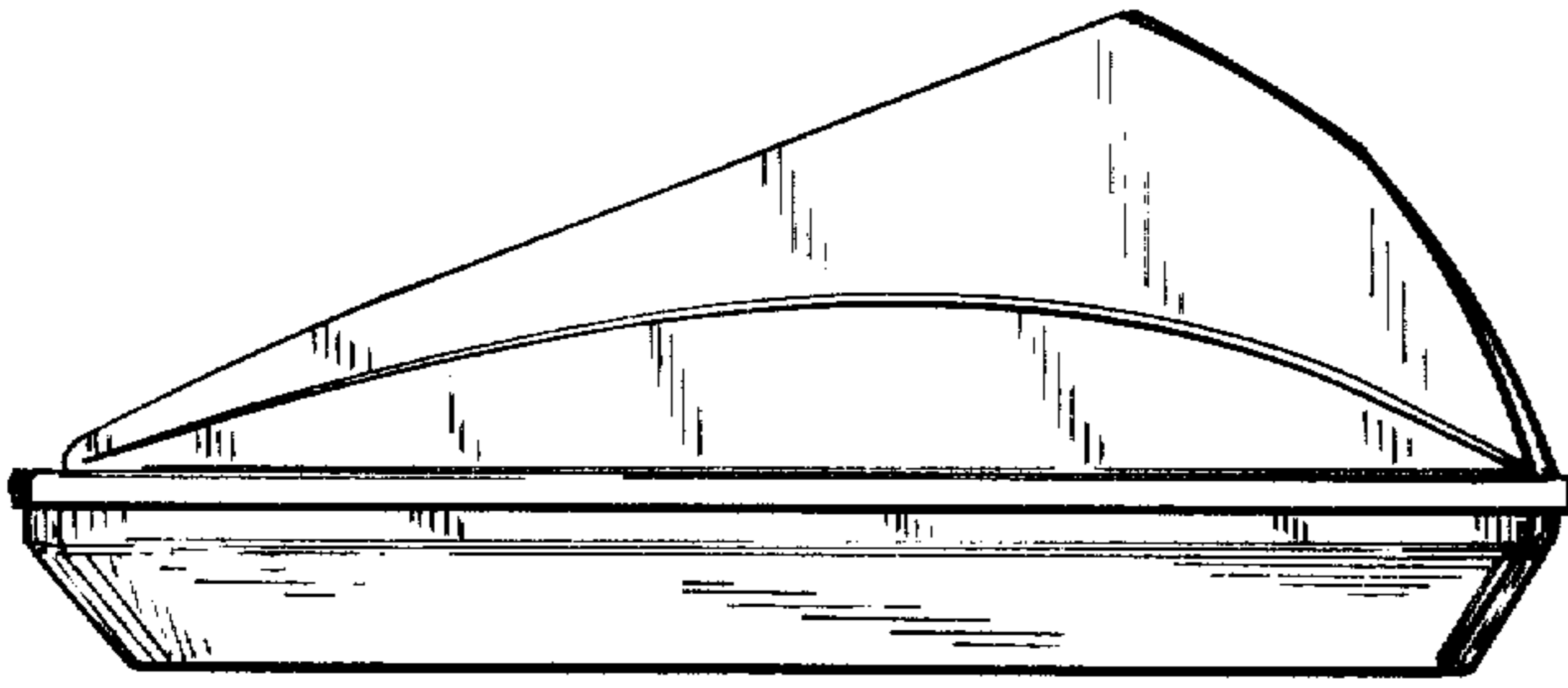
FIG. 5 is a rear elevational view thereof;

FIG. 6 is a bottom plan view thereof.

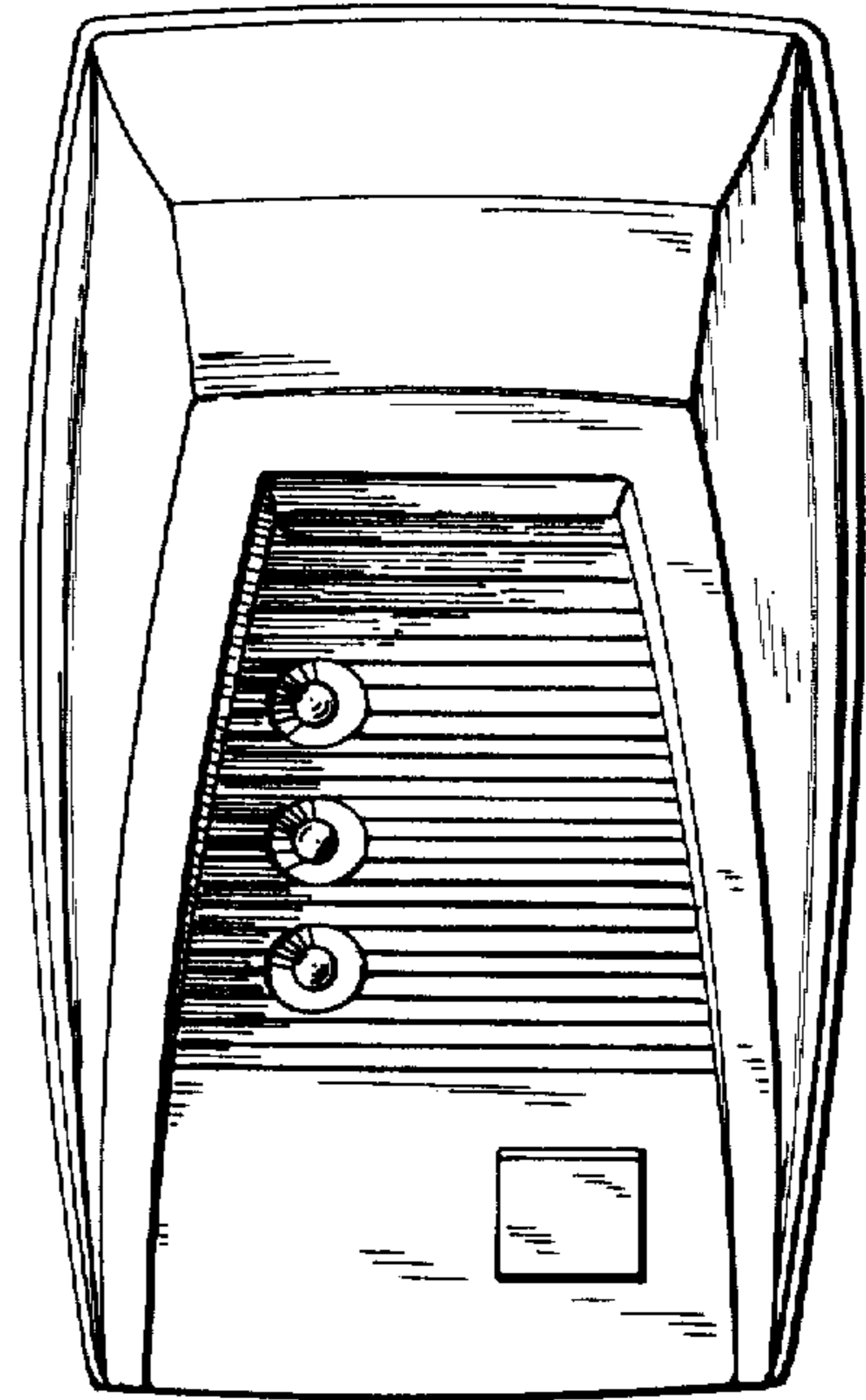




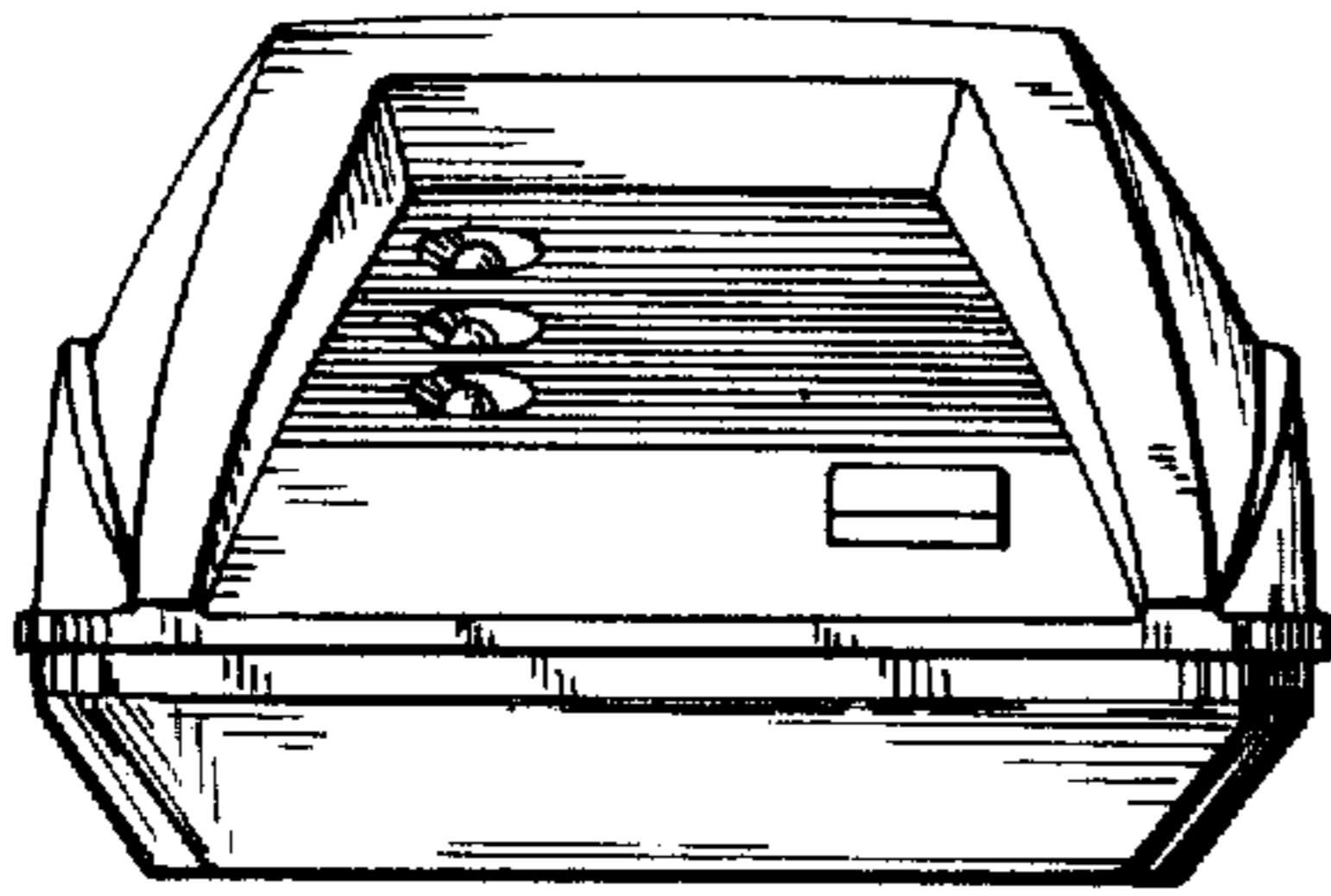
*Fig\_1*



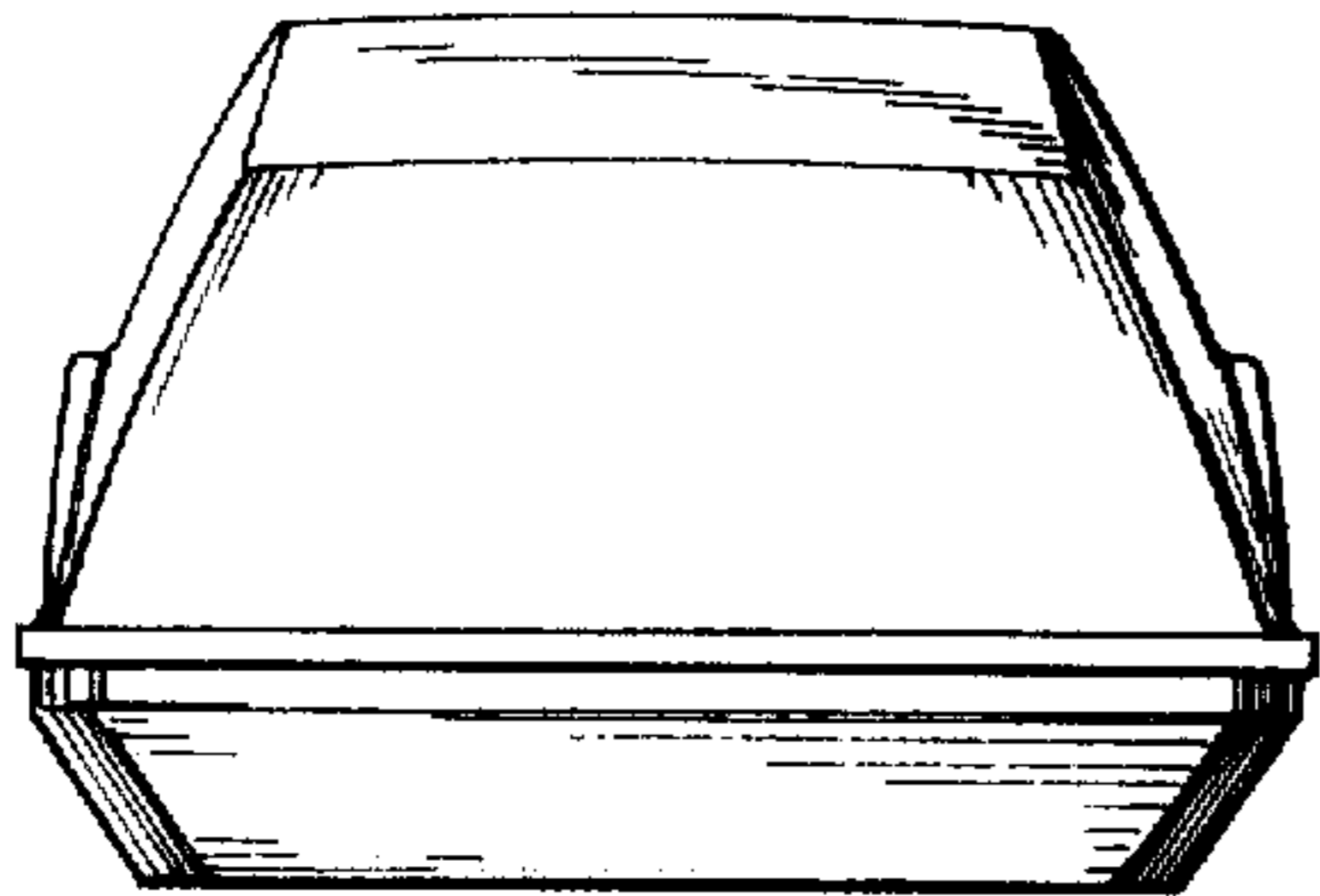
*Fig\_2*



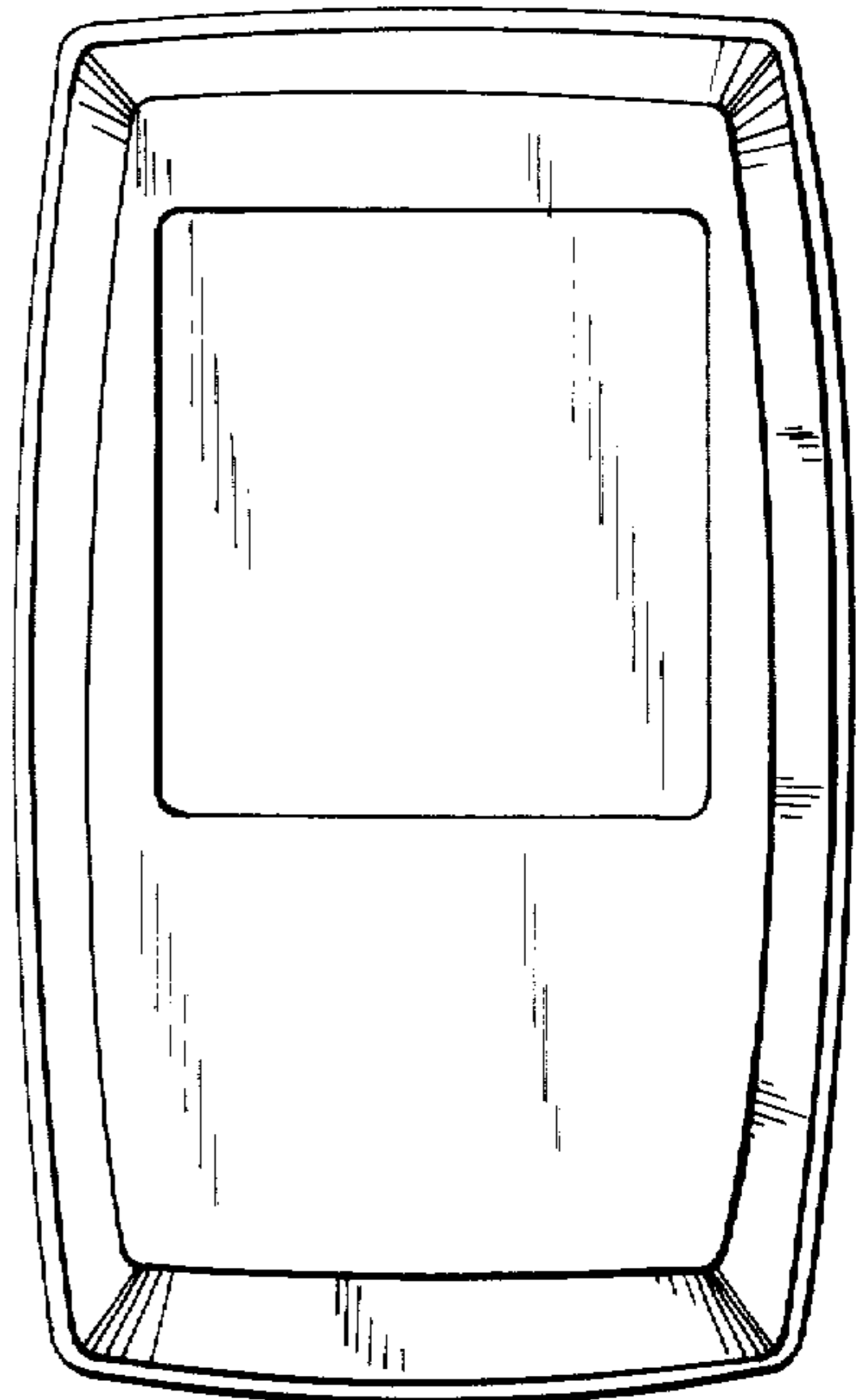
*Fig\_3*



*Fig\_4*



*Fig\_5*



*Fig\_6*