

[54] MANUAL WINDOW SHADE AND ROLLER CUT OFF KNIFE

717,800 1/1903 Bell 30/94
2,869,413 1/1959 Anderson 30/94 X

[75] Inventor: Paul J. Erpenbeck, Muskegon, Mich.

Primary Examiner—Alan P. Douglas
Attorney, Agent, or Firm—Peter P. Price

[73] Assignee: Breneman, Inc., Cincinnati, Ohio

[**] Term: 14 Years

[57] CLAIM

[21] Appl. No.: 655,123

The ornamental design for a manual window shade and roller cut off knife, substantially as shown.

[22] Filed: Feb. 4, 1976

DESCRIPTION

[51] Int. Cl. D8-03

FIG. 1 is a front perspective view of a manual window shade and roller cut off knife embodying my design; FIG. 2 is a side elevational view of the device shown in FIG. 1;

[52] U.S. Cl. D8/98

FIG. 3 is a front elevational view of the device;

[58] Field of Search D8/98; 30/94, 93

FIG. 4 is an overhead plan view of the device;

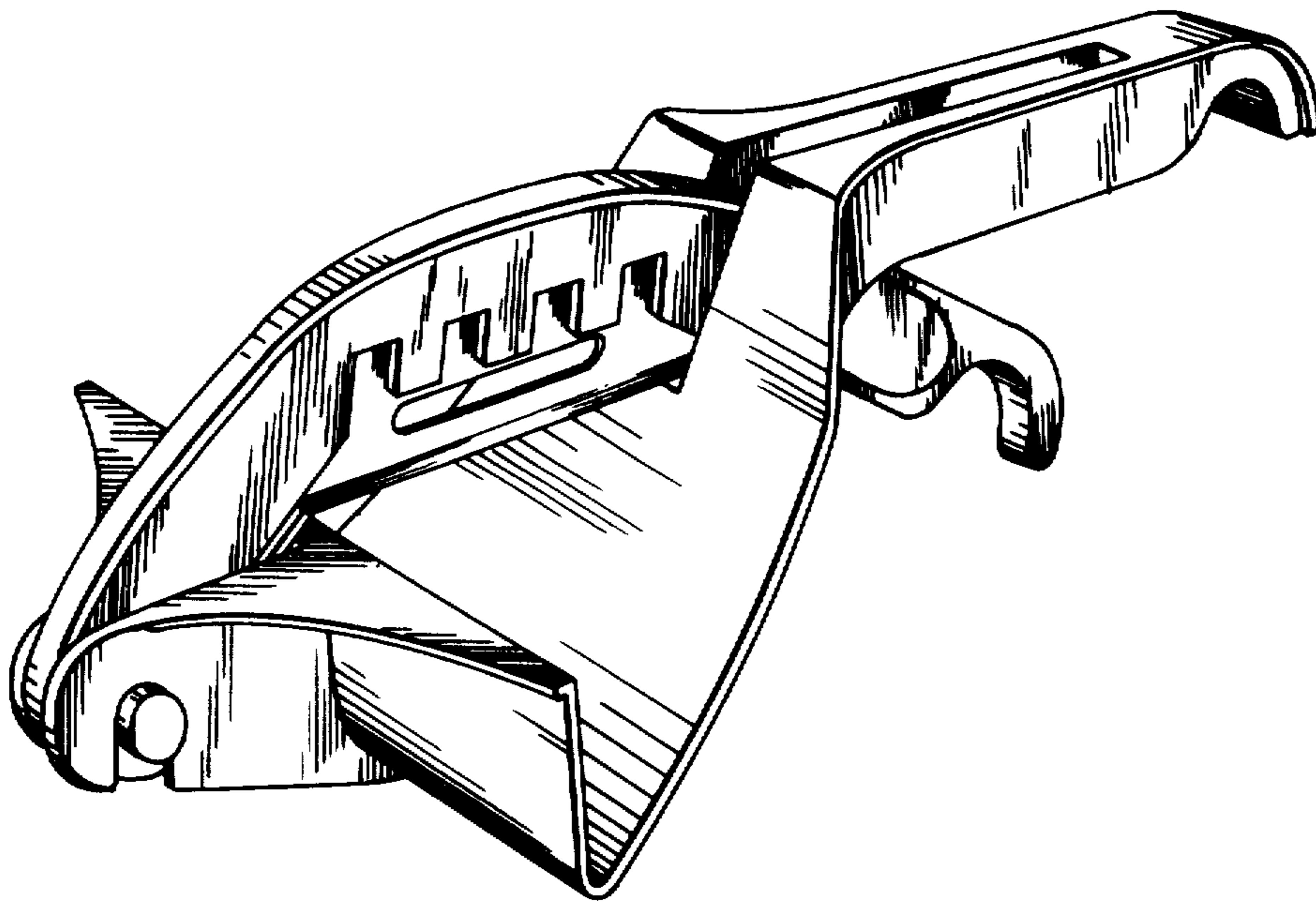
[56] References Cited

U.S. PATENT DOCUMENTS

FIG. 5 is a bottom plan view of the device; and

FIG. 6 is a rear elevational view of the device.

331,787 12/1885 Harlow 30/94
589,101 8/1897 Scholes 30/94



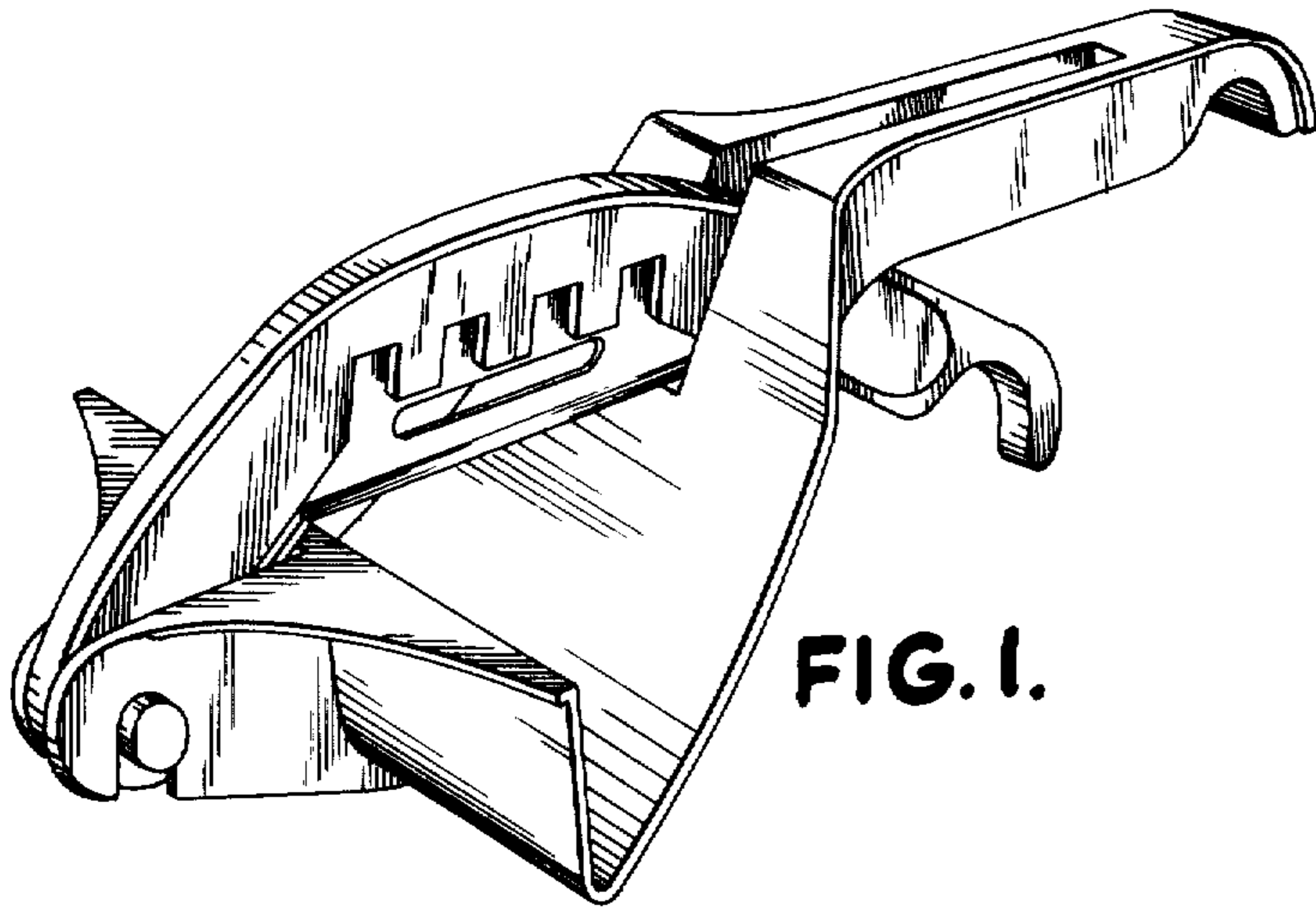


FIG. 1.

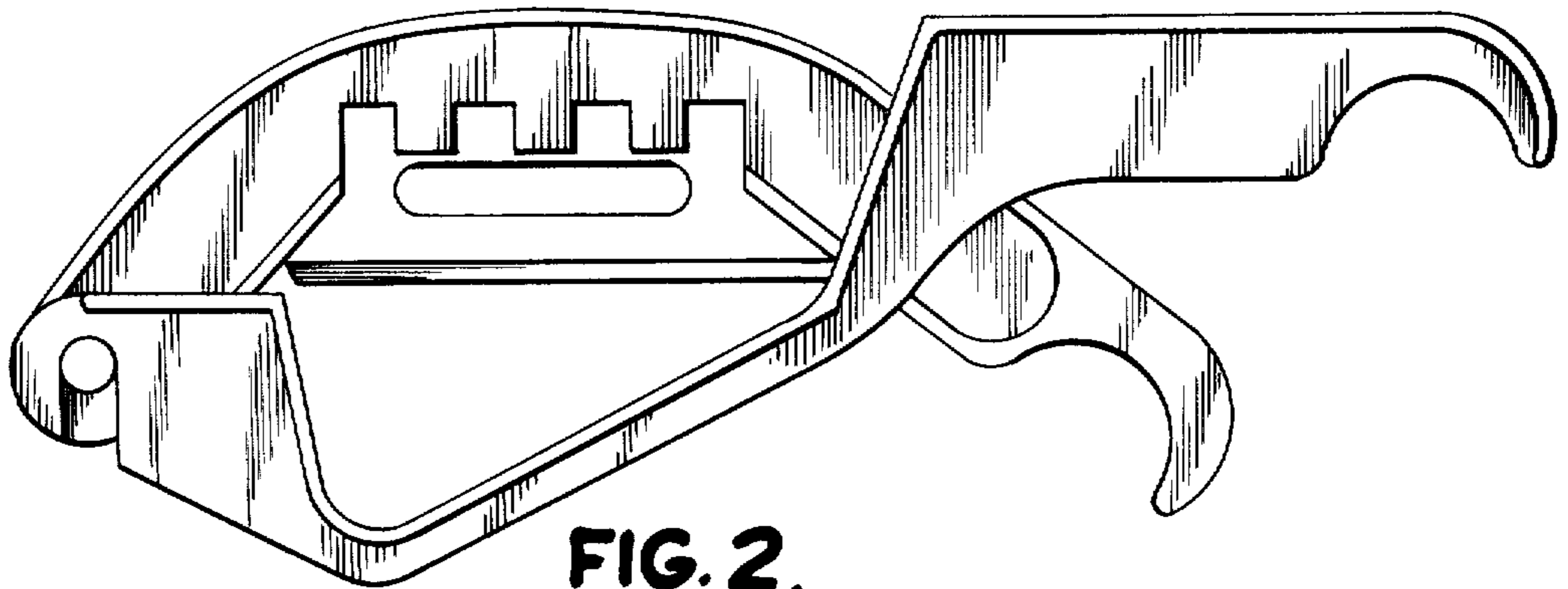


FIG. 2.

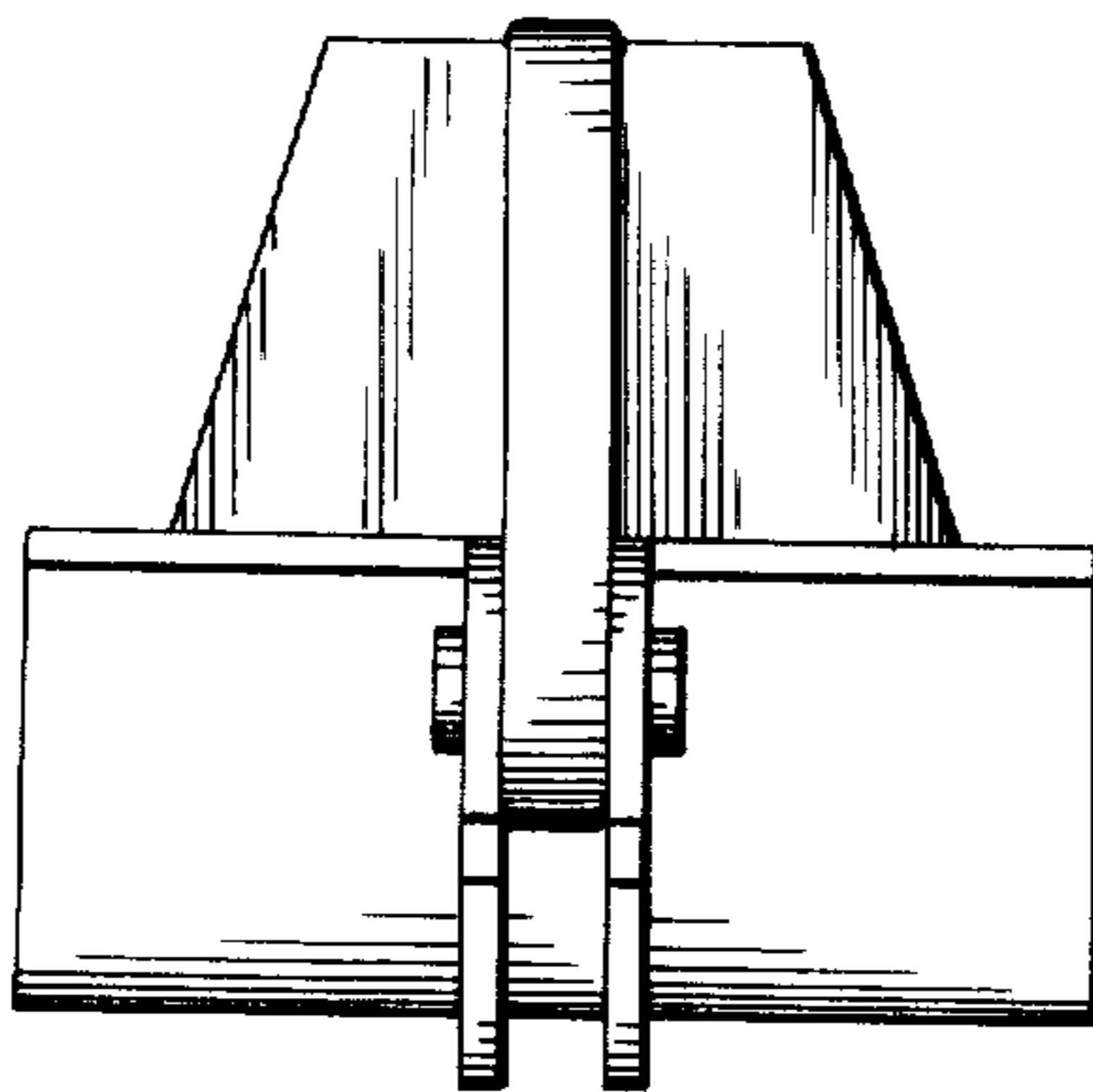


FIG. 3.

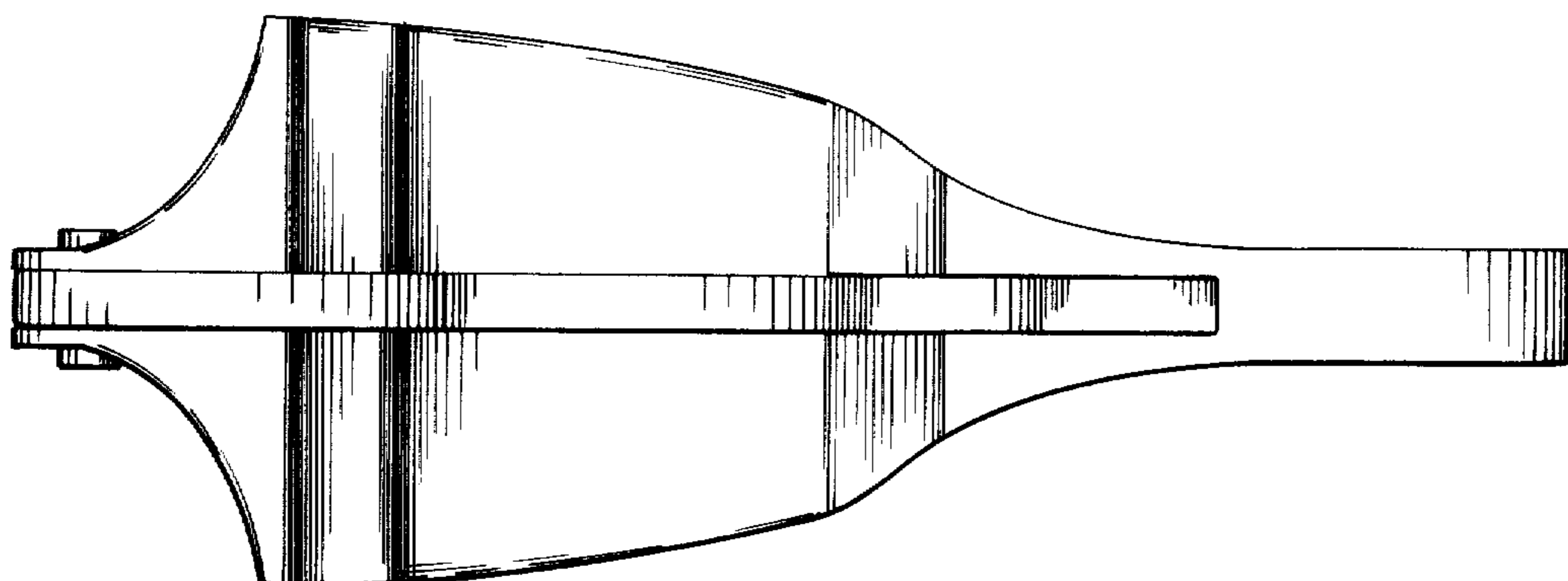


FIG. 4.

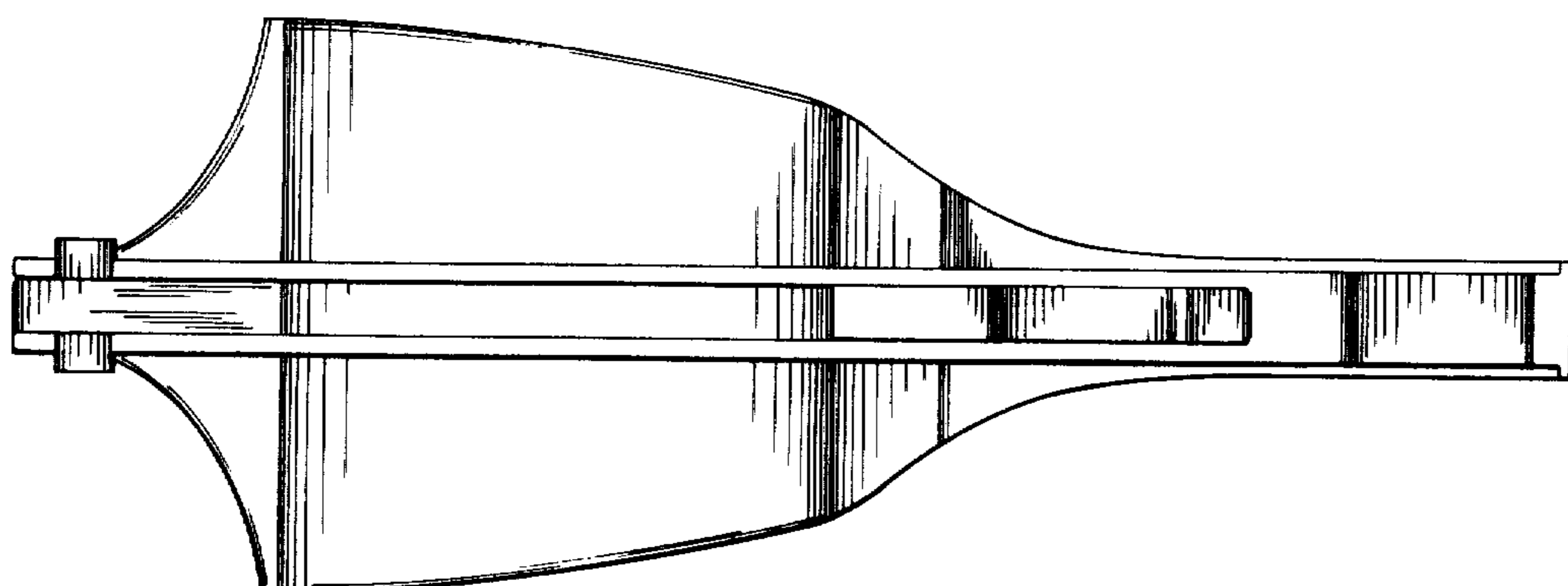


FIG. 5.

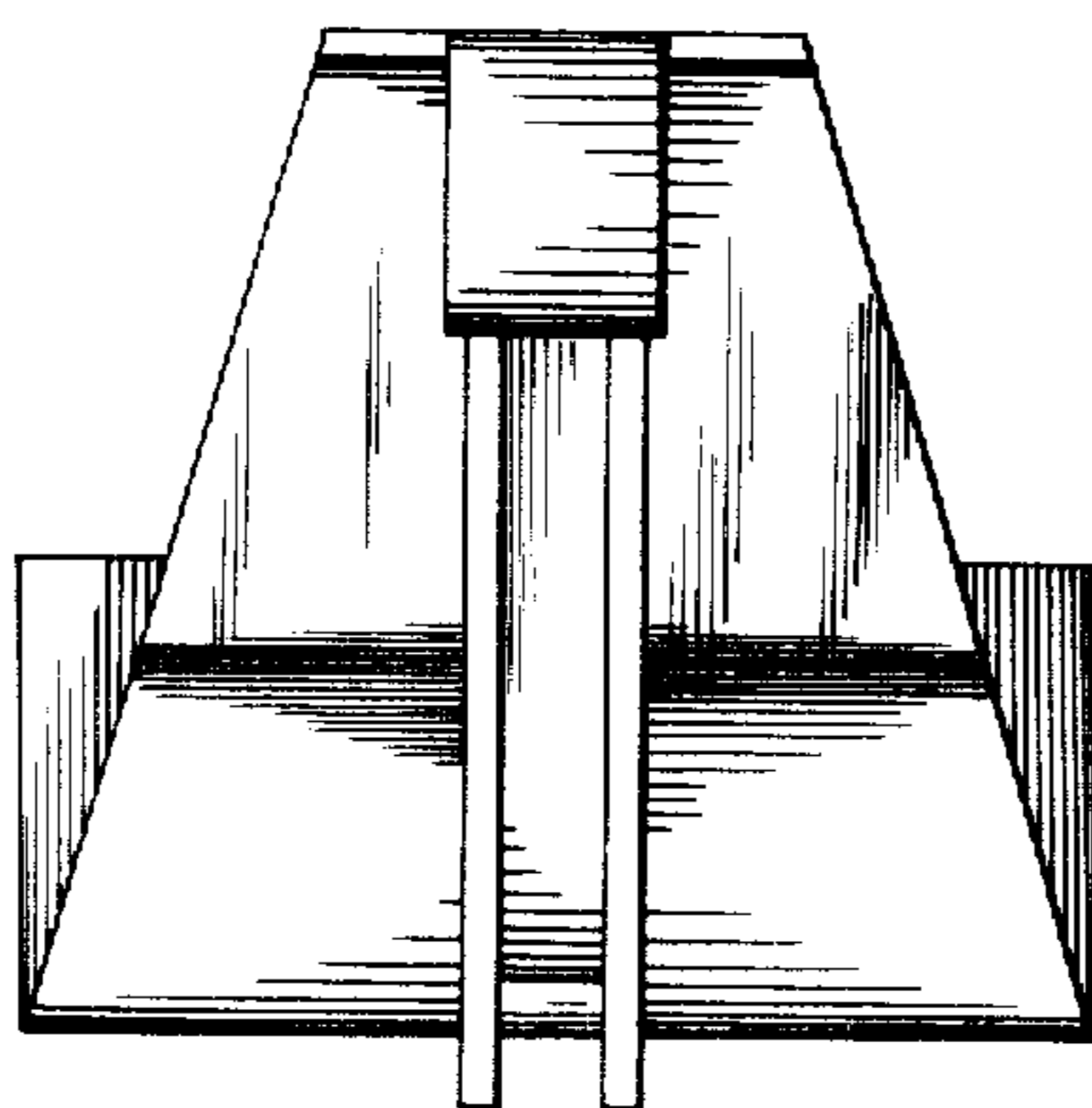


FIG. 6.