

[54] COFFEEMAKER LID OR SIMILAR ARTICLE

[75] Inventor: Max C. Hauenstein, Monroe, Conn.

[73] Assignee: General Electric Company

[\*\*] Term: 14 Years

[21] Appl. No.: 599,415

[22] Filed: July 28, 1975

[51] Int. Cl. D7-02

[52] U.S. Cl. D7/131

[58] Field of Search D9/254, 267, 268, 275, D9/281, 284, 285, 288; D7/40, 131; 99/321, 295

[56] References Cited

U.S. PATENT DOCUMENTS

343,812	6/1886	Gore	99/321
730,747	6/1903	Crawley	99/321
3,606,829	9/1971	Alwood	99/280
3,869,968	3/1975	Ihlenfeld	99/280

D. 178,961	10/1956	James	D9/254
D. 211,487	6/1968	Schellens	D7/65
D. 228,053	8/1973	Knox et al.	D7/63
D. 231,307	4/1974	Wolfman	D7/85
D. 232,410	8/1974	Rakocy	D7/65 X

Primary Examiner—Winifred E. Herrmann  
Attorney, Agent, or Firm—Leonard J. Platt

[57] CLAIM

The ornamental design for a coffeemaker lid or similar article, as shown.

DESCRIPTION

FIG. 1 is a top perspective view of a coffeemaker lid embodying my new design;  
FIG. 2 is a top plan view thereof;  
FIG. 3 is a bottom plan view thereof;  
FIG. 4 is a front elevational view thereof;  
FIG. 5 is a rear elevational view thereof; and  
FIG. 6 is a cross-sectional view thereof taken substantially on the plane of 6-6 of FIG. 2.

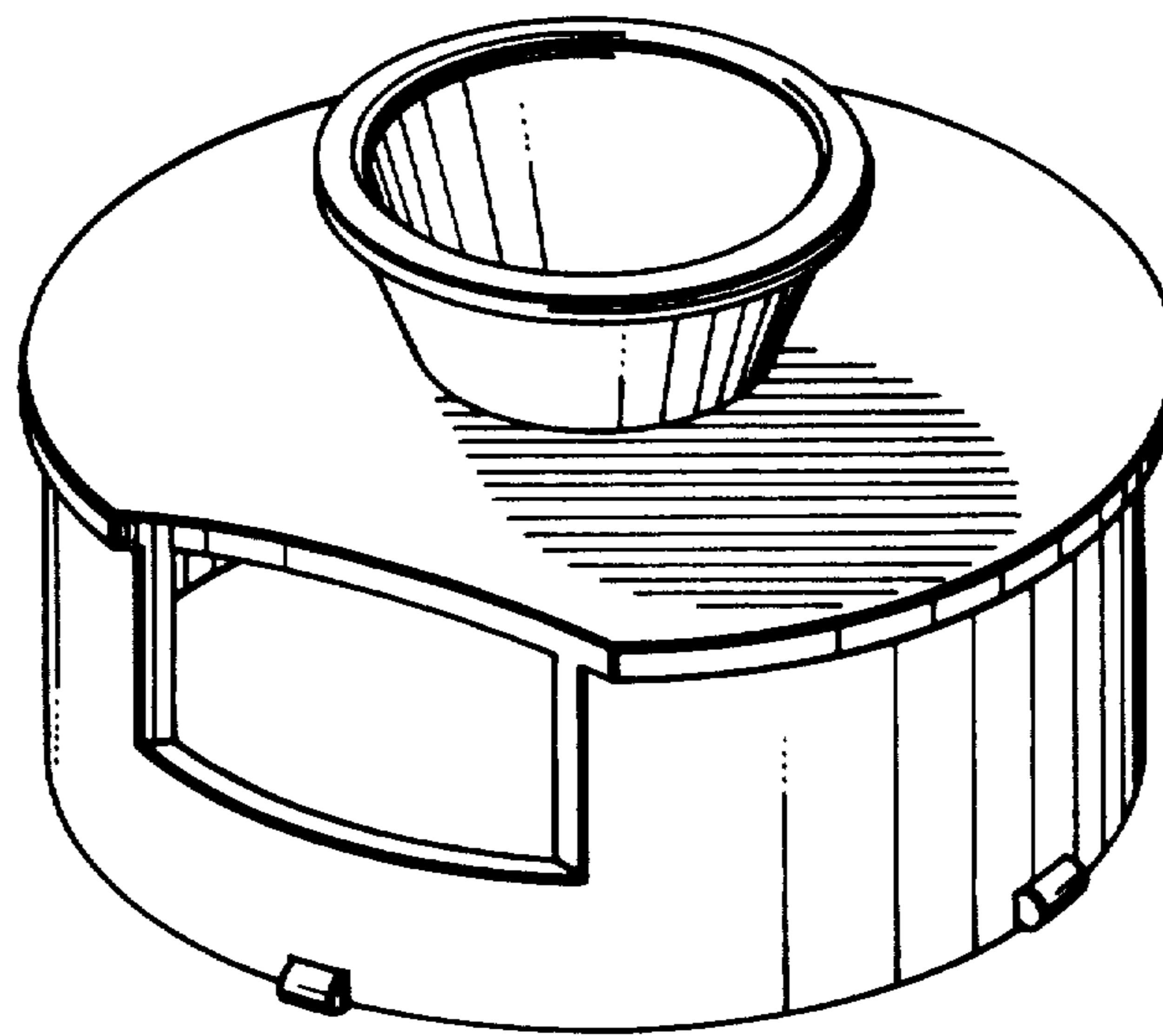


FIG. 1.

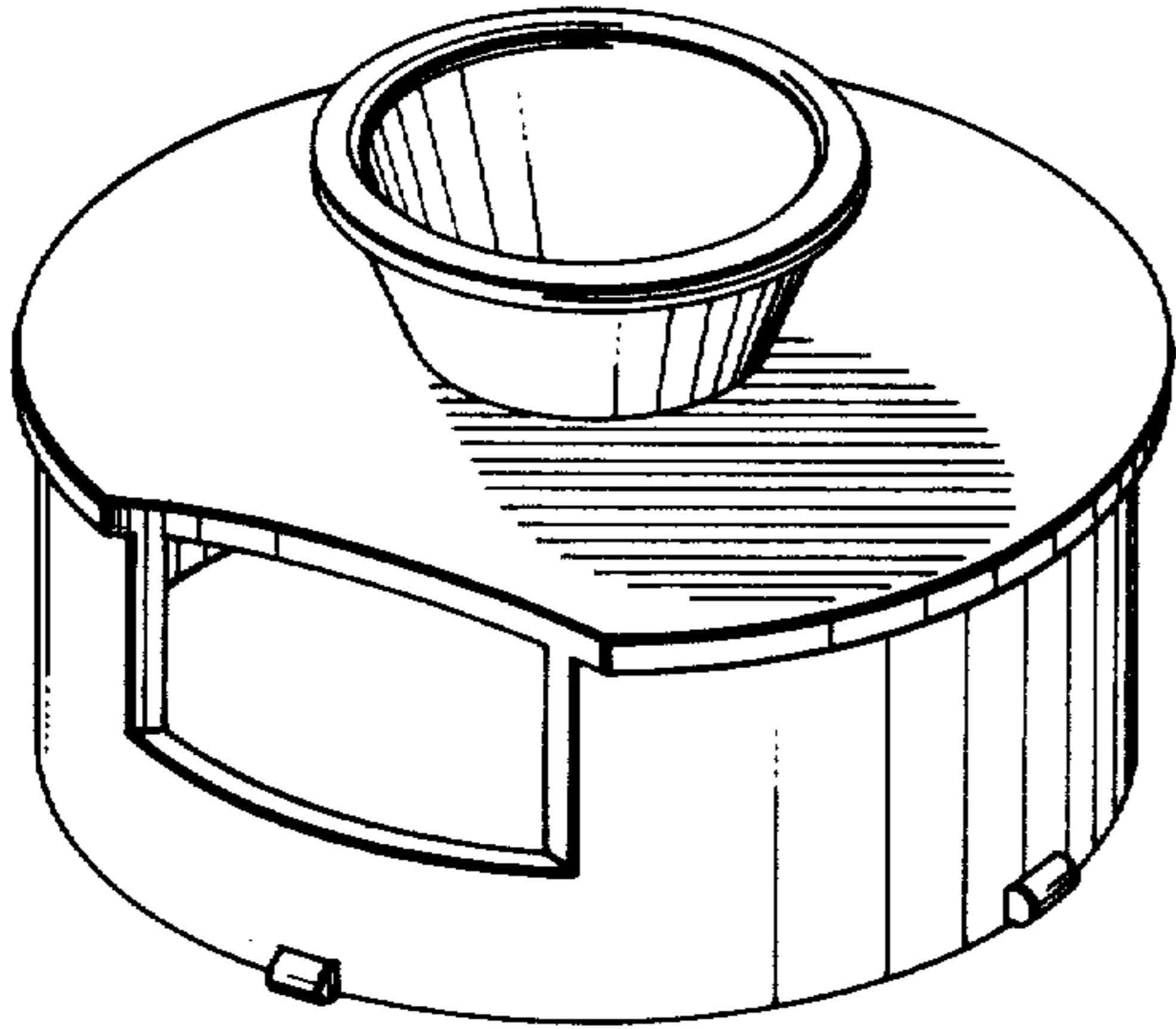


FIG. 2.

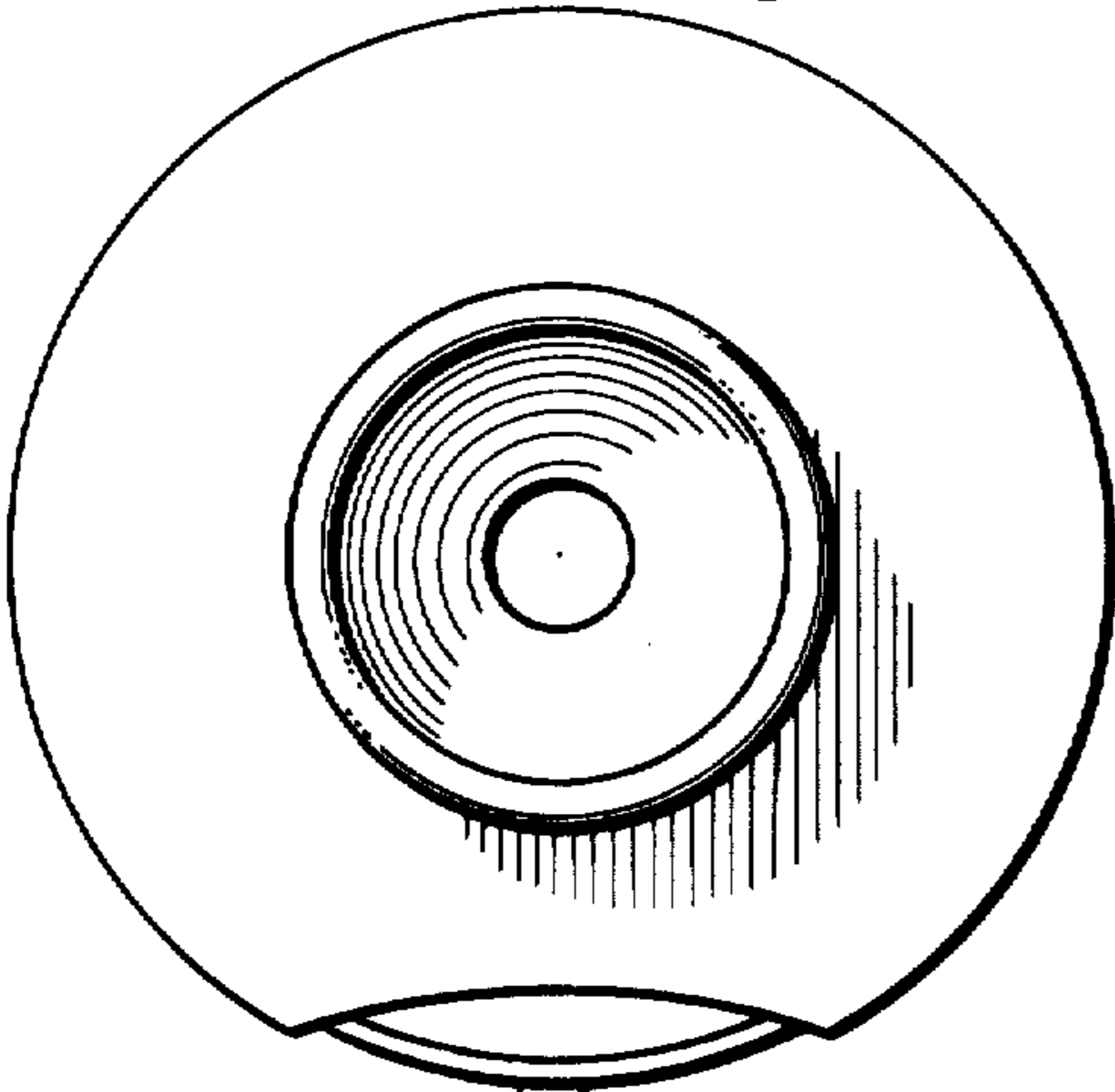


FIG. 3.

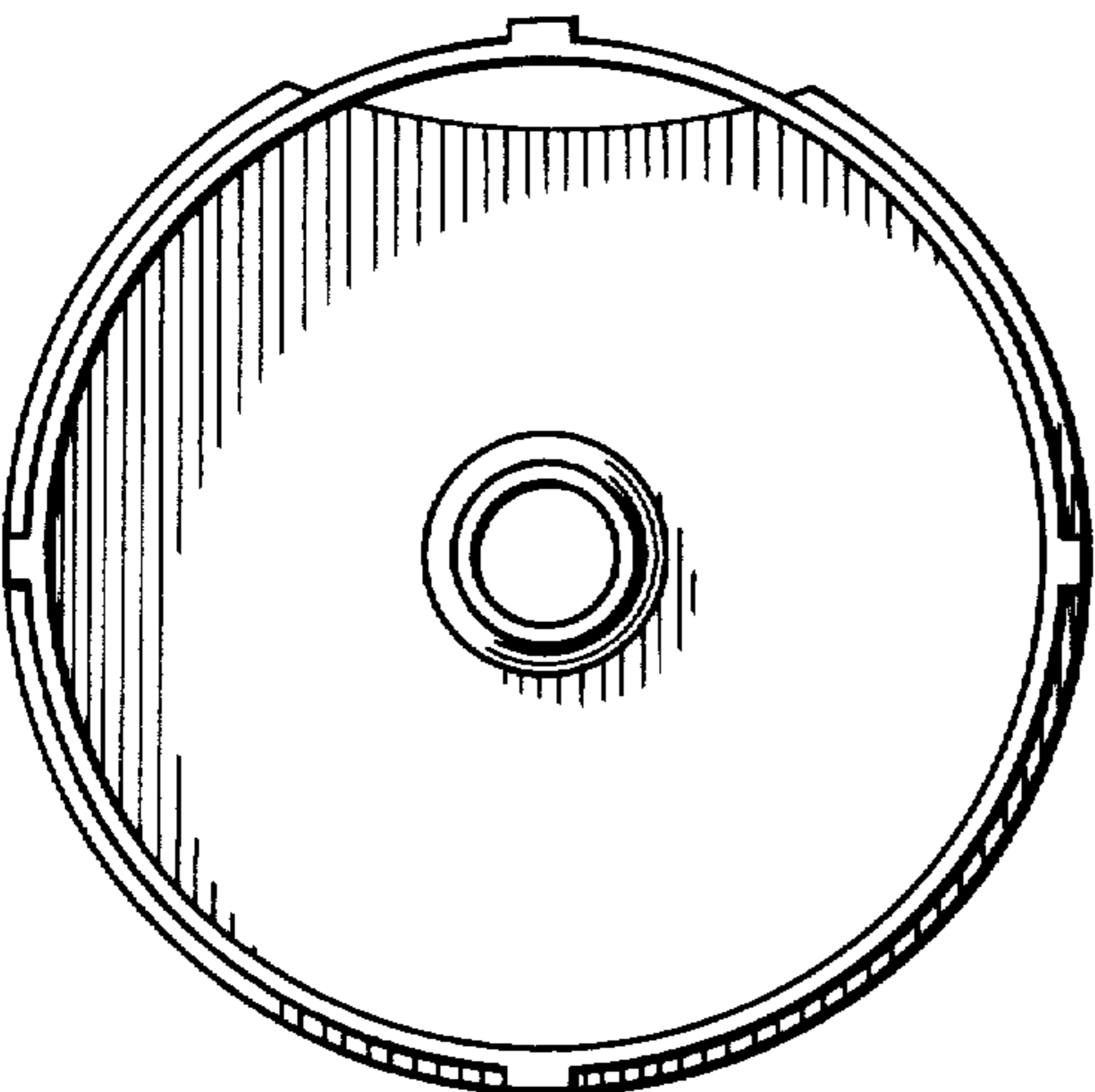


FIG. 4.

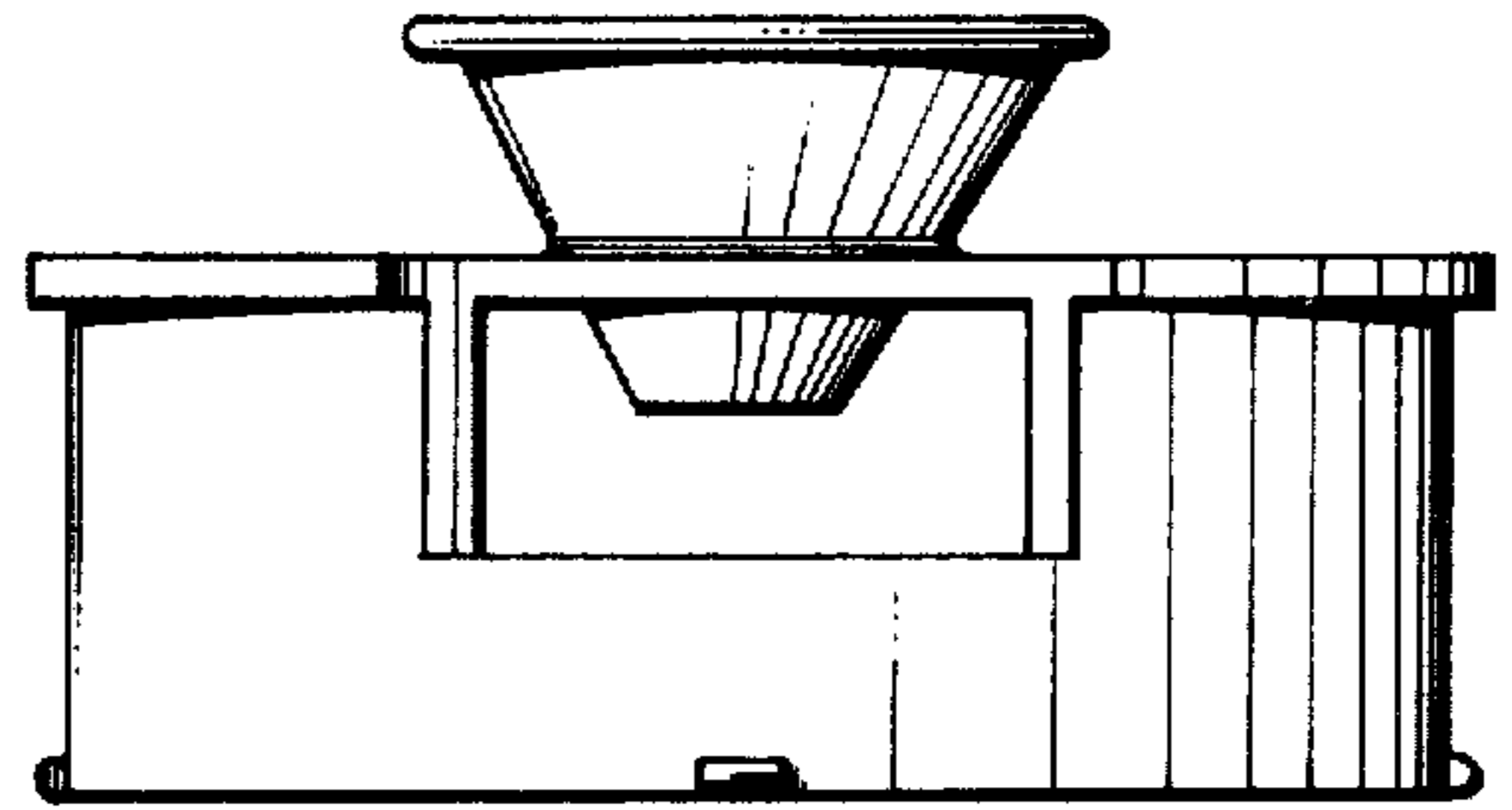


FIG. 5.

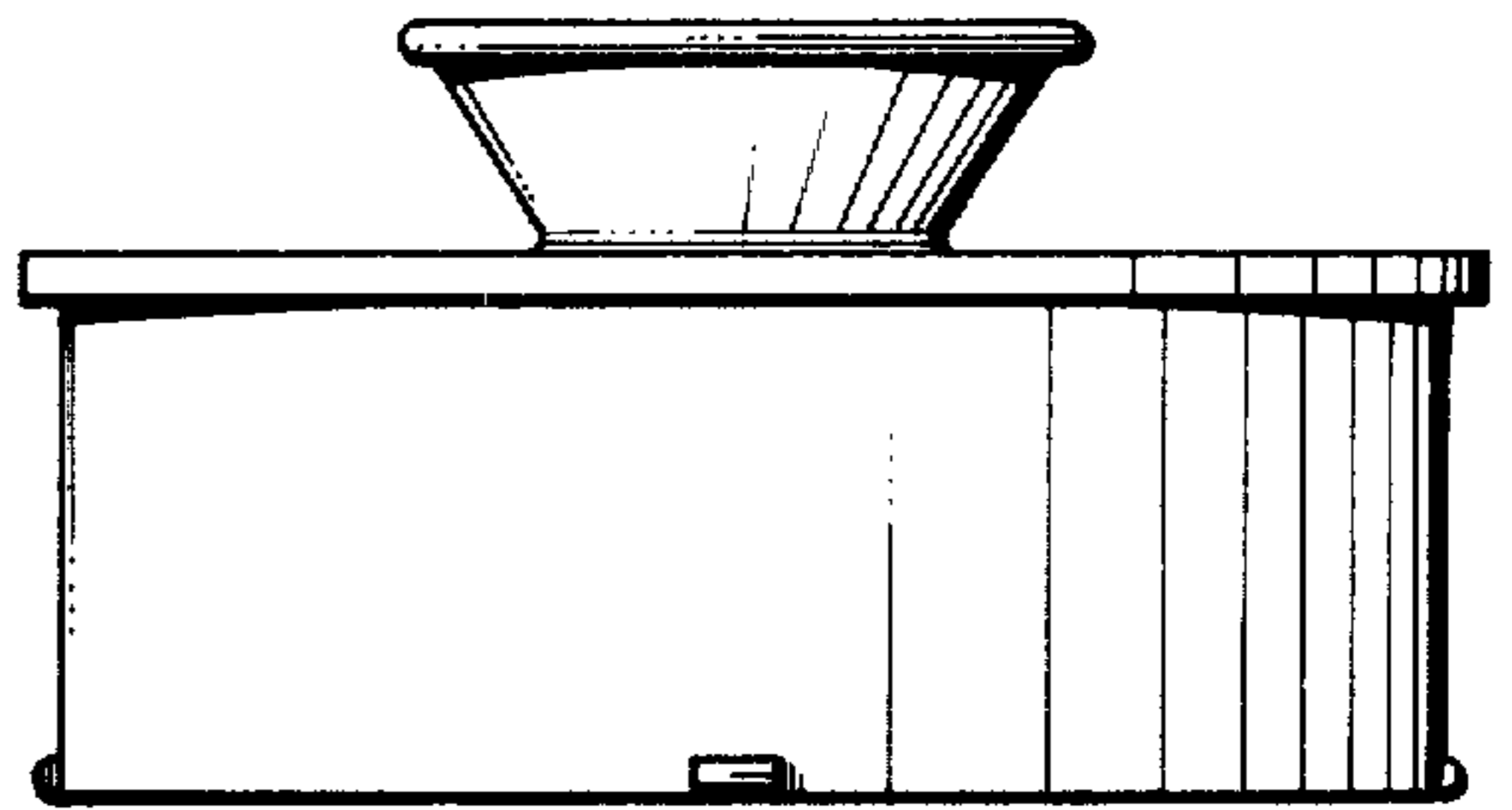


FIG. 6.

