

[54] WINE RACK

[76] Inventor: Michael K. Johnson, 1230 Monterey Blvd., San Francisco, Calif. 94127

[**] Term: 14 Years

[21] Appl. No.: 619,210

[22] Filed: Oct. 3, 1975

[51] Int. Cl. D7-99; D6-04

[52] U.S. Cl. D7/71

[58] Field of Search D6/85, 106, 142, 186, D6/190, 188; D7/71, 129, 128; 211/74

[56] References Cited

U.S. PATENT DOCUMENTS

2,558,611	6/1951	Emmart	211/74
3,160,278	12/1964	Varkala	211/74
3,176,849	4/1965	Peebles	D6/85 X

D. 30,331	3/1899	Walker	D6/85
D. 101,141	9/1936	San Filippo	D6/85
D. 186,415	10/1959	Ikeda	D7/71
D. 222,151	10/1971	Majewski	D6/190

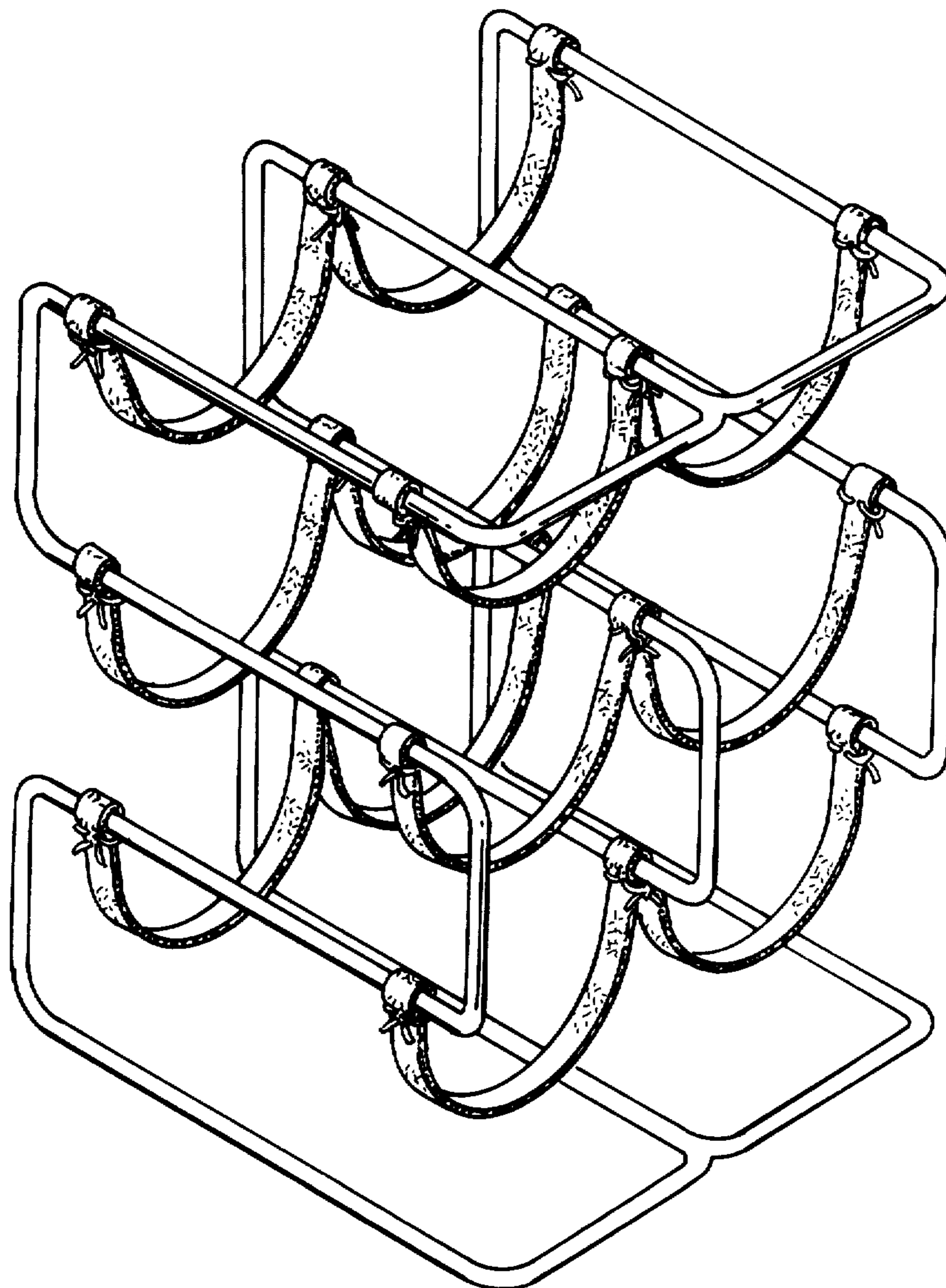
Primary Examiner—Winifred E. Herrmann
Attorney, Agent, or Firm—Paul S. Lempio

[57] CLAIM

The ornamental design for a wine rack, substantially as shown and described.

DESCRIPTION

FIG. 1 is an isometric view of a wine rack embodying my new design with the unshown sides thereof being substantial mirror images of the sides shown; and FIGS. 2-5 are similar views, illustrating additional embodiments of my new design.



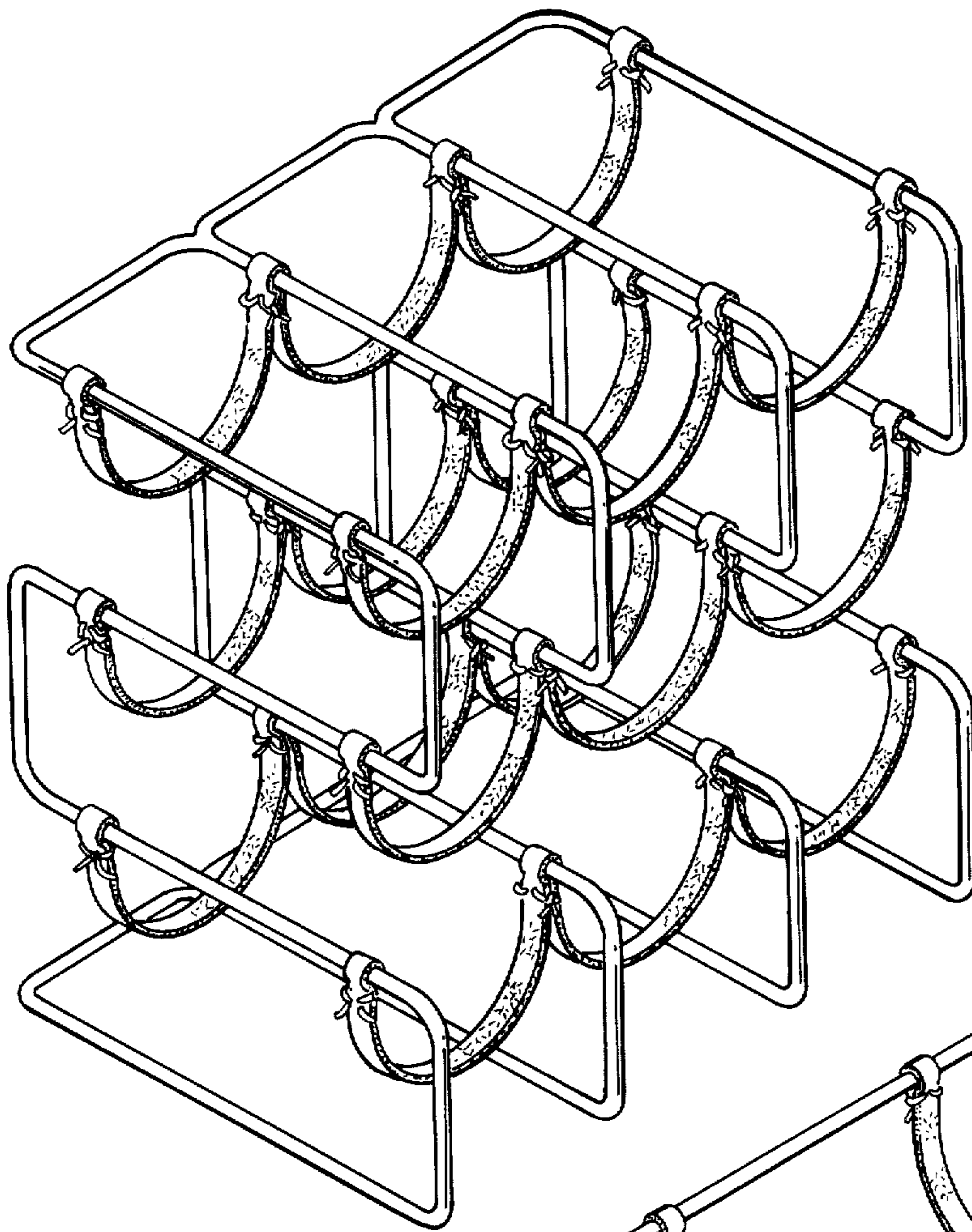


FIG. 1.

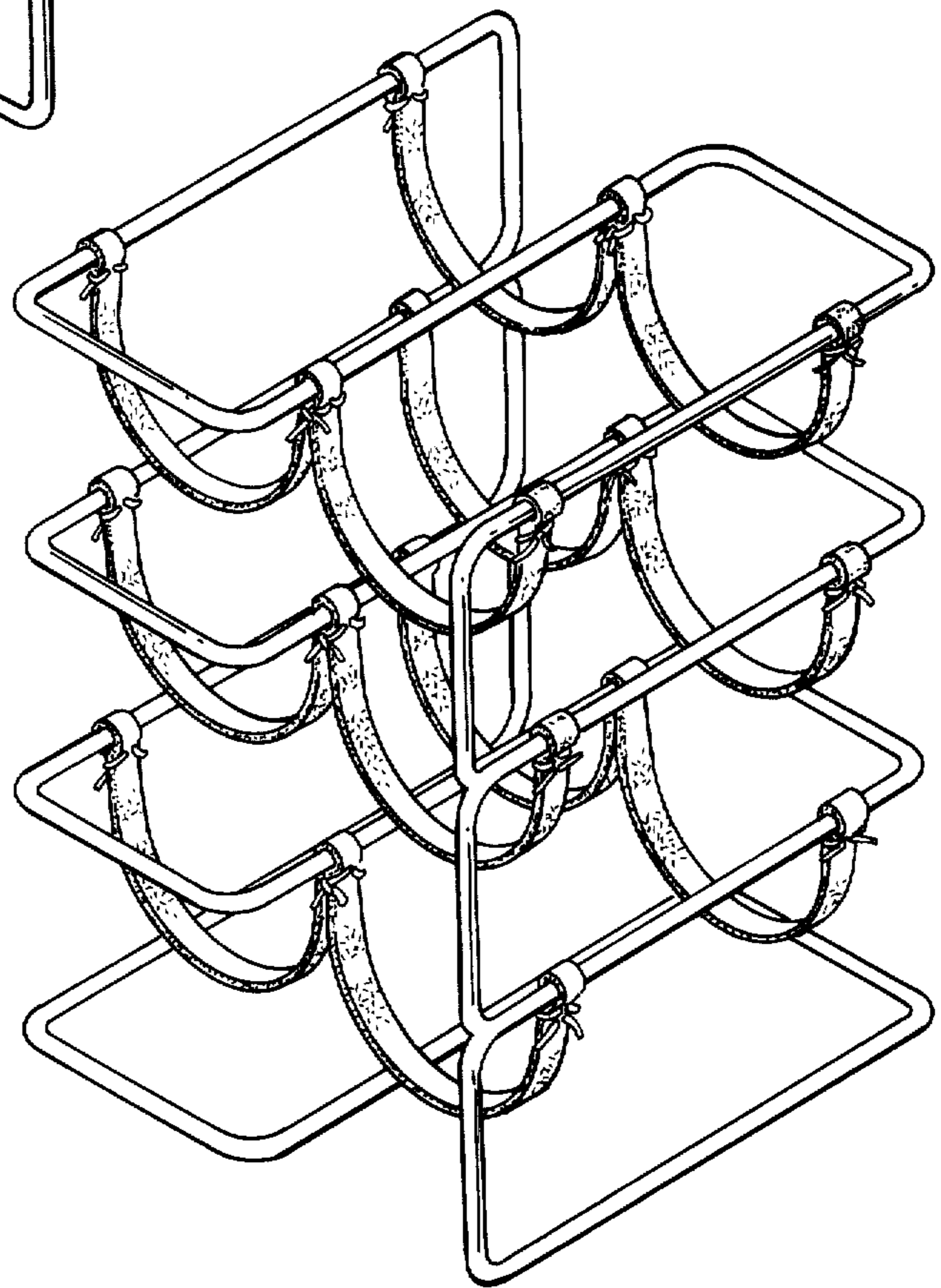


FIG. 2.

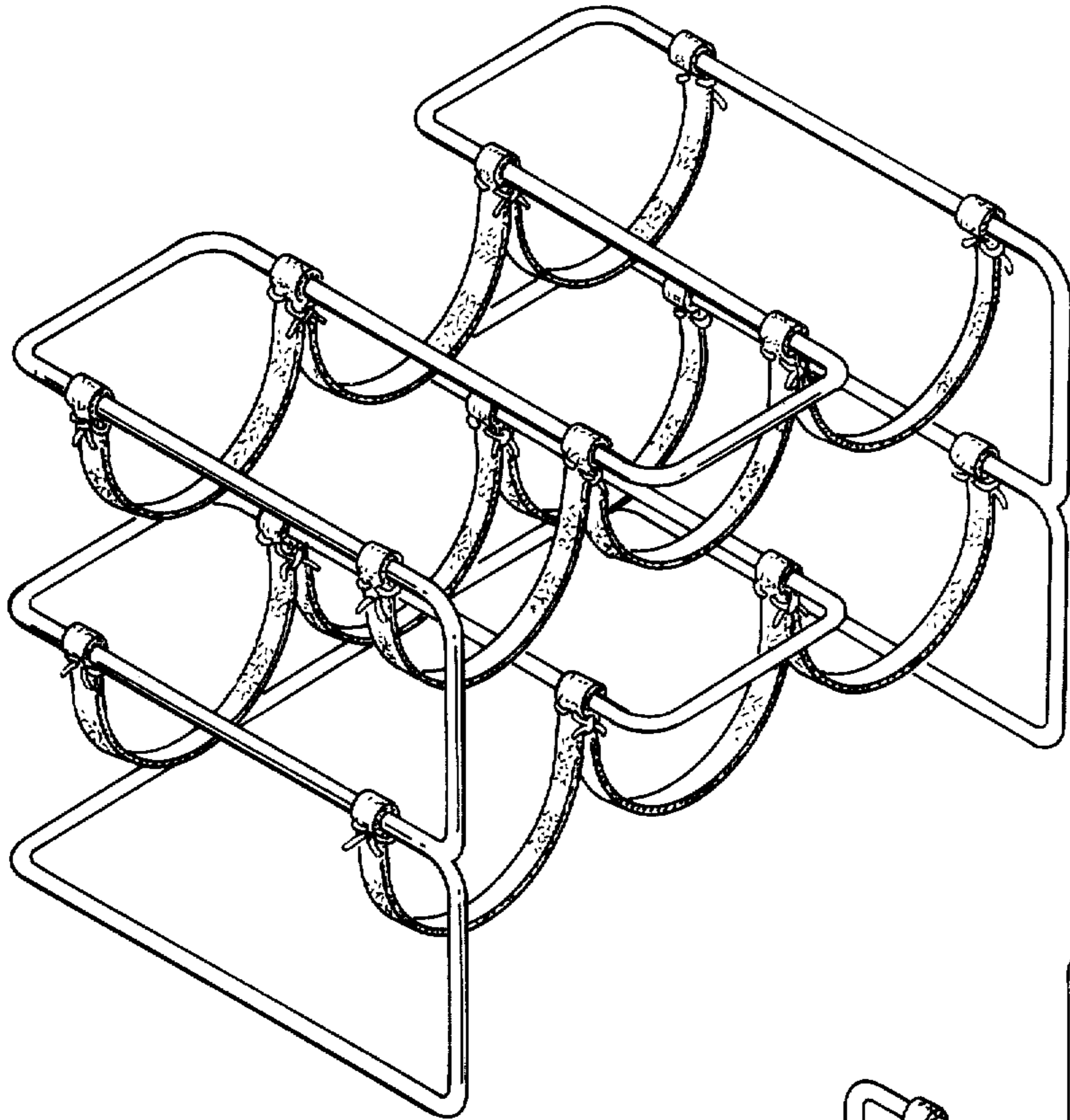


FIG. 3.

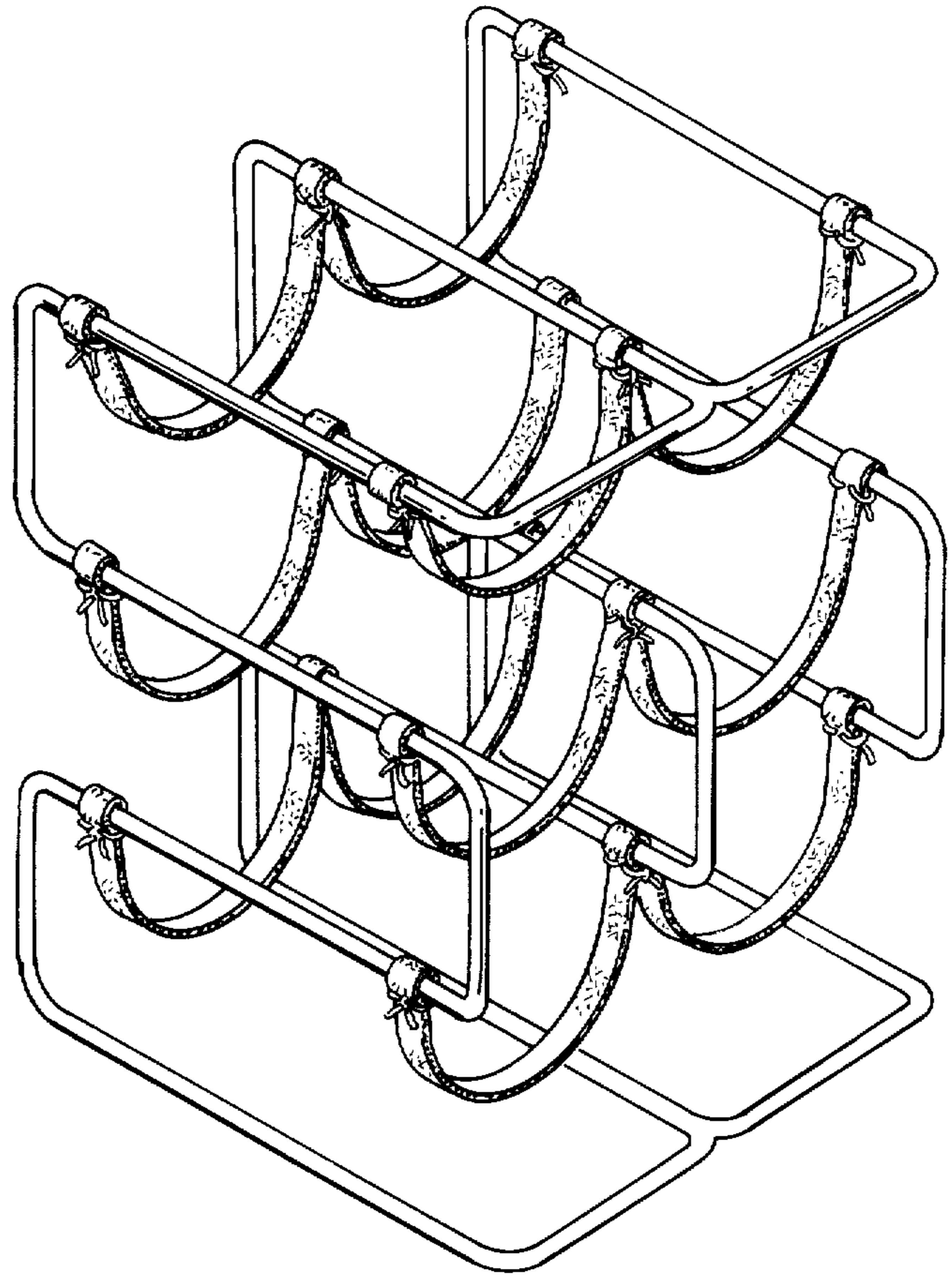


FIG. 4.

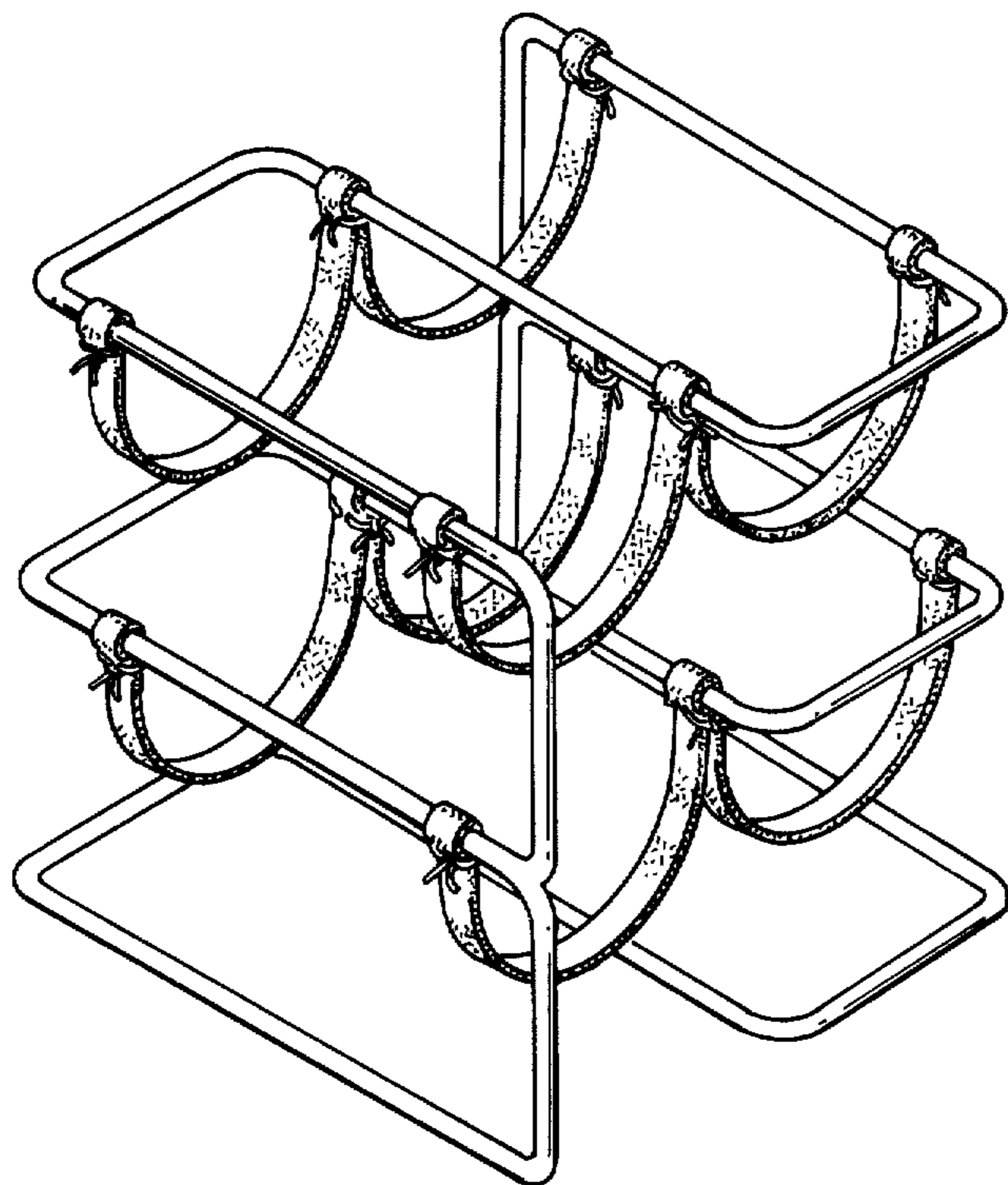


FIG. 5.