

[54] SOAP DISPENSER OR THE LIKE
 [75] Inventor: Linda Jansen Donaldson, Cincinnati, Ohio
 [73] Assignee: General Mills Fun Group, Inc., Minneapolis, Minn.
 [**] Term: 14 Years
 [21] Appl. No.: 567,912
 [22] Filed: Apr. 14, 1975

D. 219,991 2/1971 De Varco D6/95

Primary Examiner—Joel Stearman
 Assistant Examiner—C. A. Rademaker
 Attorney, Agent, or Firm—Gene O. Enockson

[51] Int. Cl. D23—02
 [52] U.S. Cl. D6/95
 [58] Field of Search D6/85-95;
 222/395, 457.5, 420, 173; 206/77.1

[57] CLAIM

The ornamental design for a soap dispenser or the like, substantially as shown.

DESCRIPTION

FIG. 1 is a front elevational view of a soap dispenser or the like showing my new design;
 FIG. 2 is a right side elevational view thereof;
 FIG. 3 is a rear elevational view thereof;
 FIG. 4 is a left side elevational view thereof;
 FIG. 5 is a top plan view thereof; and,
 FIG. 6 is a bottom plan view thereof.

[56] References Cited
 U.S. PATENT DOCUMENTS
 3,388,835 6/1968 Naughten 222/173

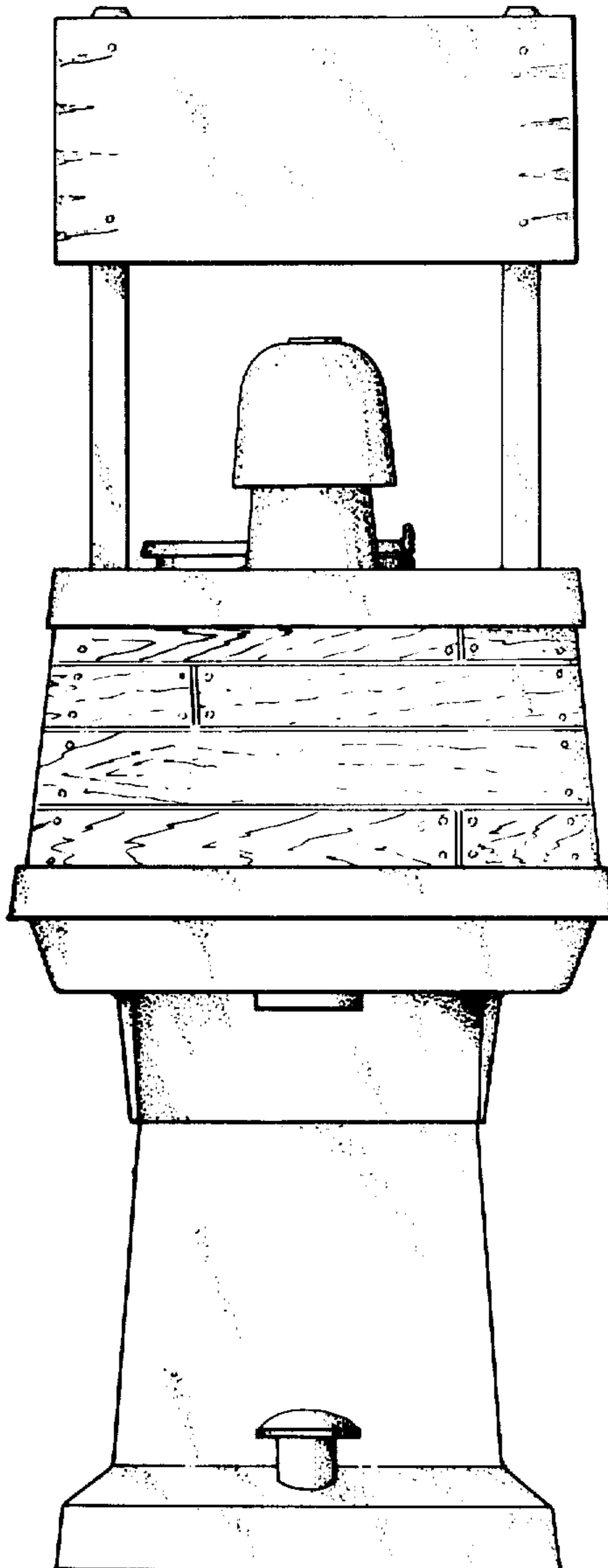


Fig 1

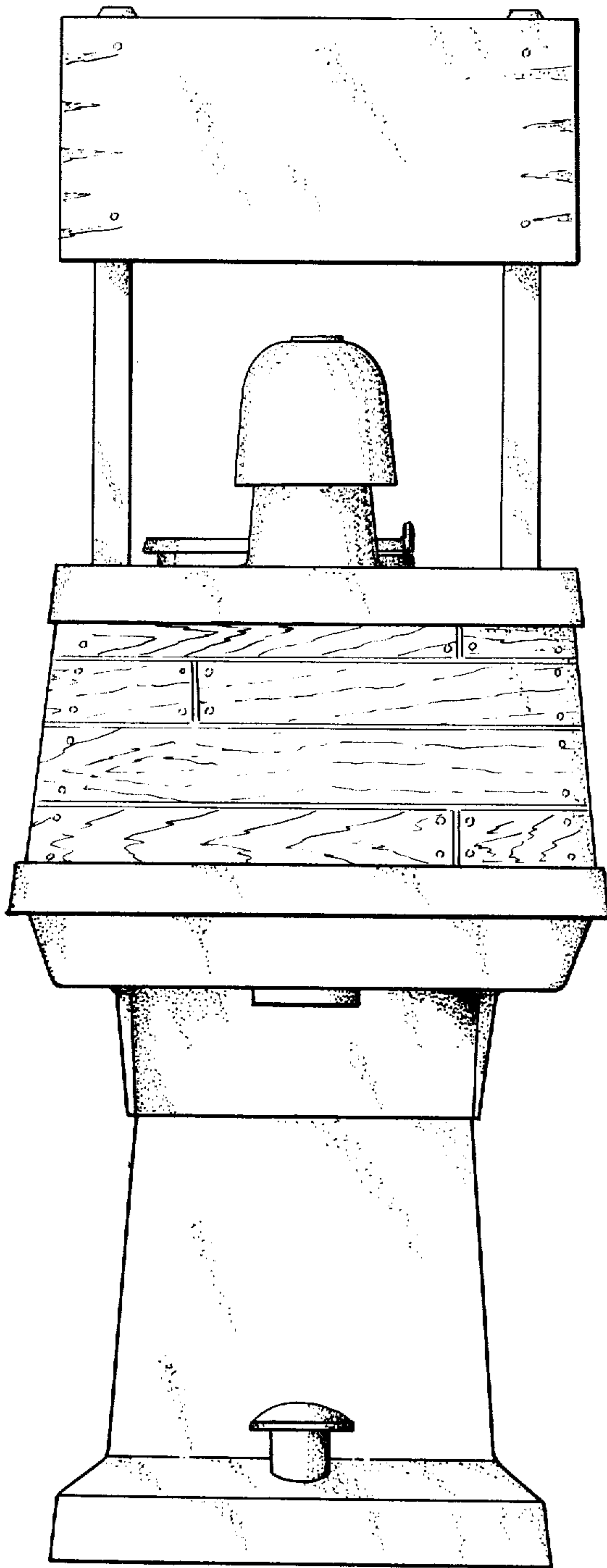


Fig 2

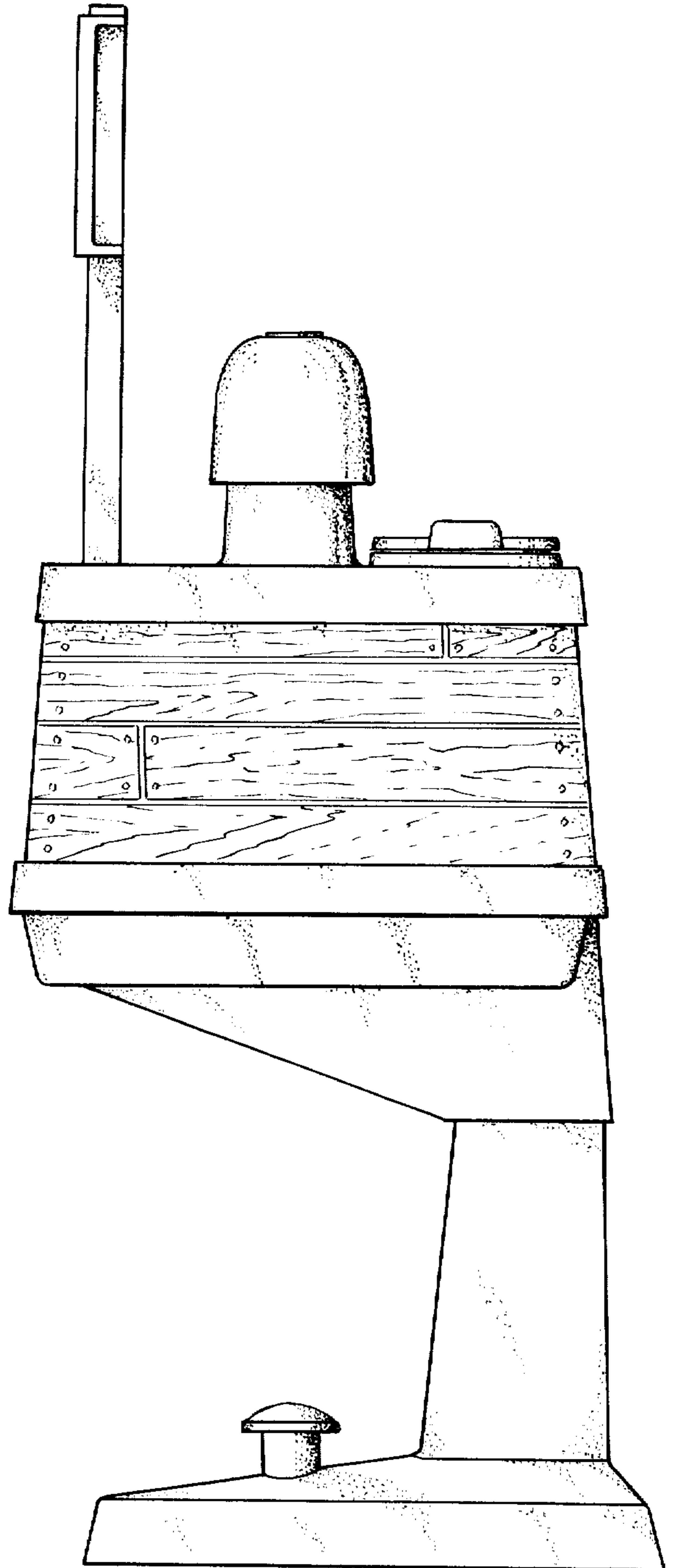


Fig 3

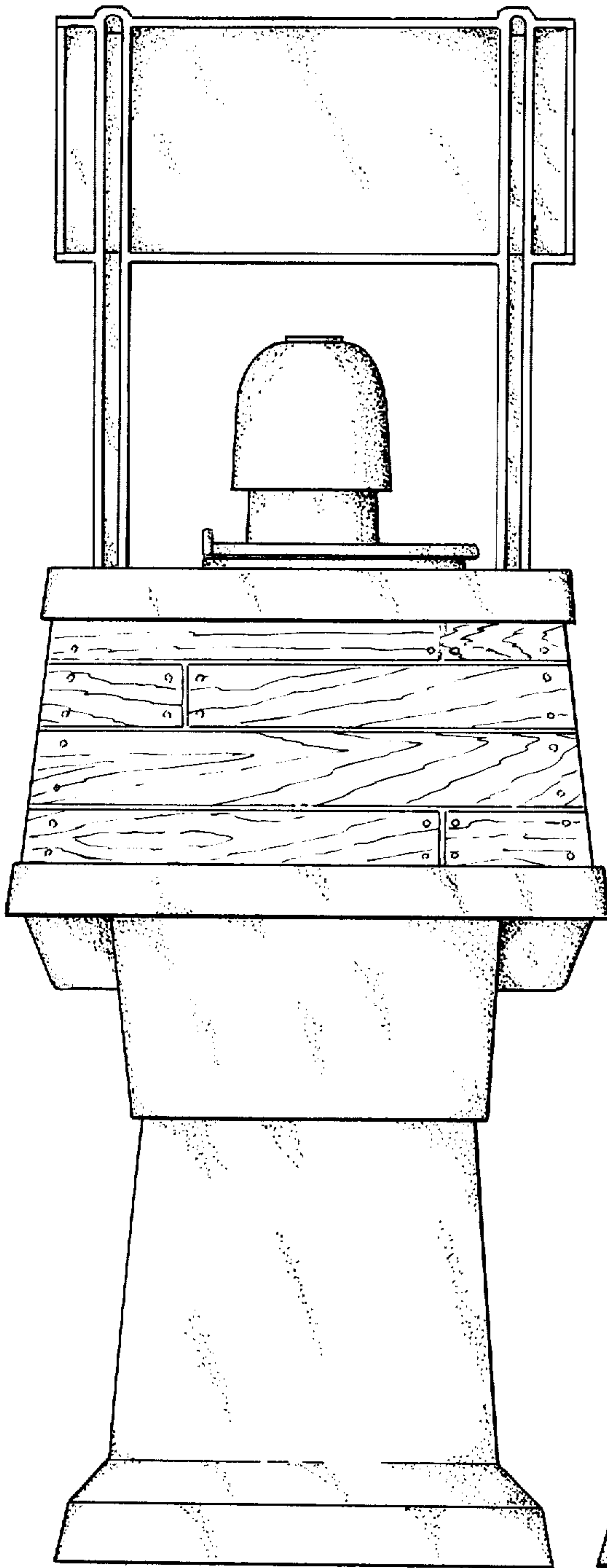


Fig 4

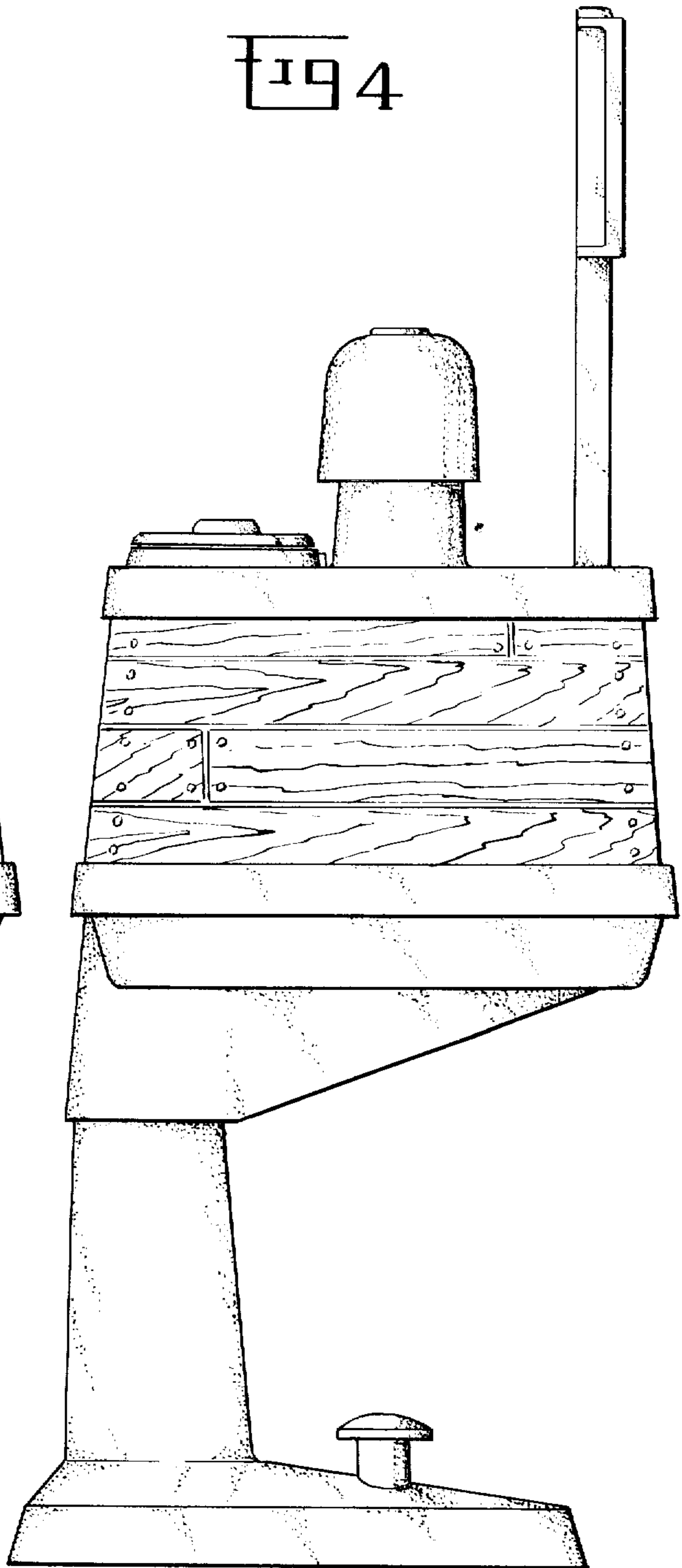


Fig 5

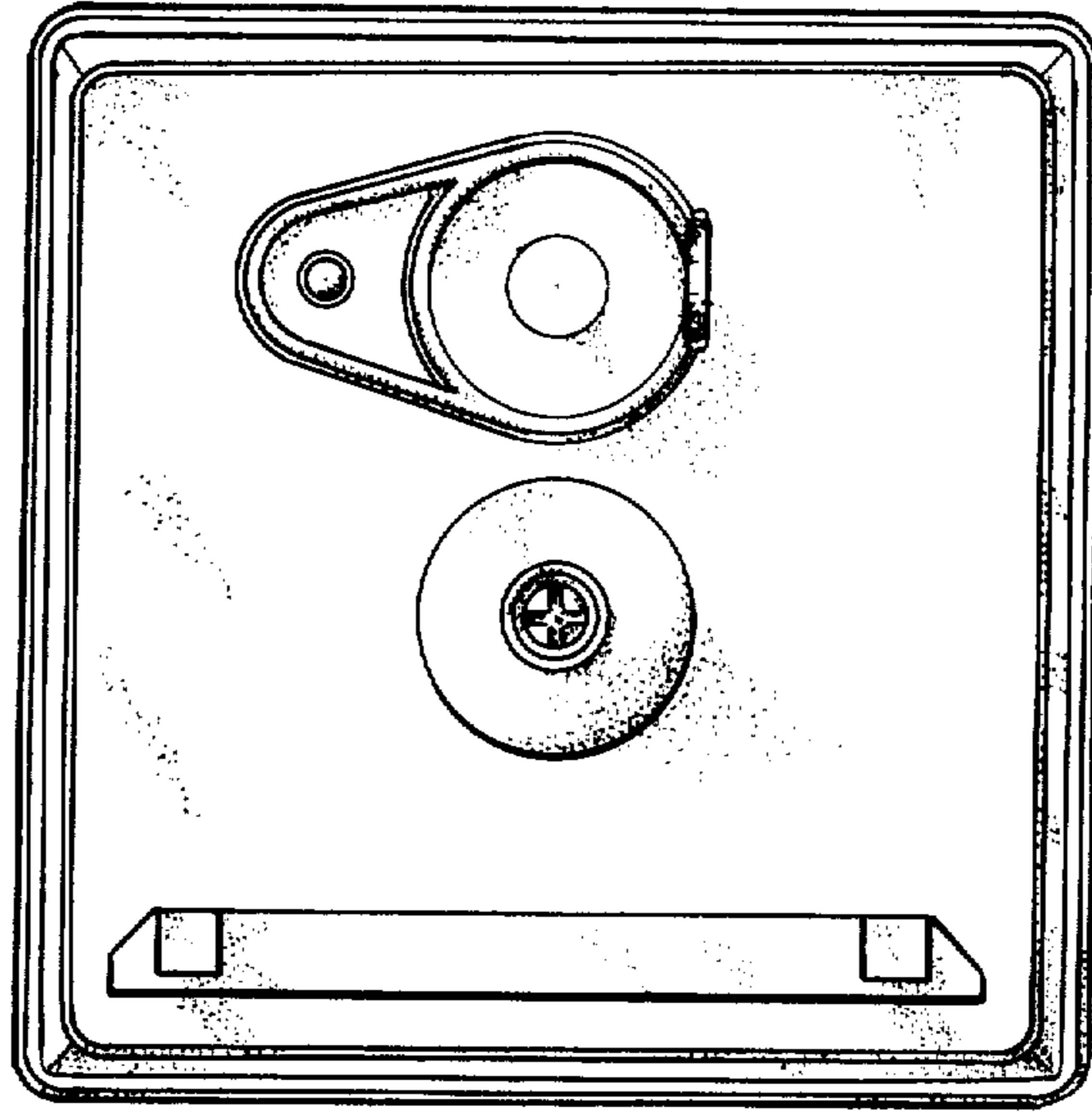


Fig 6

