

[54] CHAIR

[75] Inventor: Giovanni Offredi, Milan, Italy

[73] Assignee: Fratelli Saporiti, Besnate (Varese), Italy

[\*\*] Term: 14 Years

[21] Appl. No.: 559,448

[22] Filed: Mar. 18, 1975

[30] Foreign Application Priority Data

Sept. 19, 1974 Italy ..... 60914/74

[51] Int. Cl. .... D6-01

[52] U.S. Cl. .... D6/69

[58] Field of Search ..... D6/20, 27, 30, 31, 67-78

[56] References Cited

U.S. PATENT DOCUMENTS

- D. 156,229 11/1949 Goldberg ..... D6/69
- D. 195,620 7/1963 Chapman et al. .... D6/72

D. 235,709 7/1975 Schier ..... D6/56 X

OTHER PUBLICATIONS

Industrial Design, Dec. 1969, p. 58, chair bottom right.

Primary Examiner—Bruce W. Dunkins  
Attorney, Agent, or Firm—William D. Denson

[57] CLAIM

The ornamental design for a chair, substantially as shown.

DESCRIPTION

FIG. 1 is a perspective view looking from the front of the chair of FIG. 4;  
 FIG. 2 is a top plan view of said chair;  
 FIG. 3 is a perspective view looking from the rear of said chair;  
 FIG. 4 is a perspective view looking from a side of said chair; and  
 FIG. 5 is a bottom view of said chair.

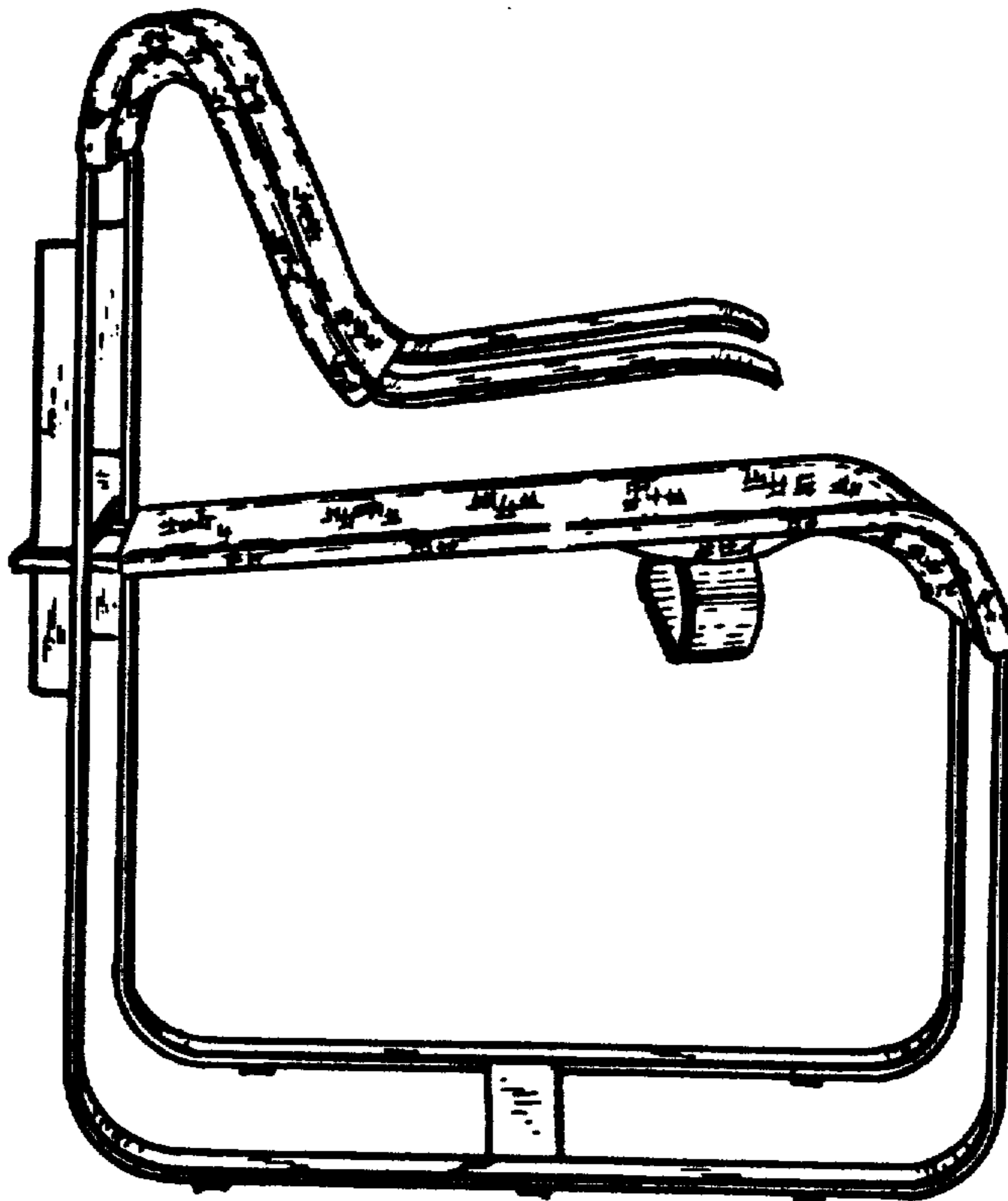


FIG. 1.

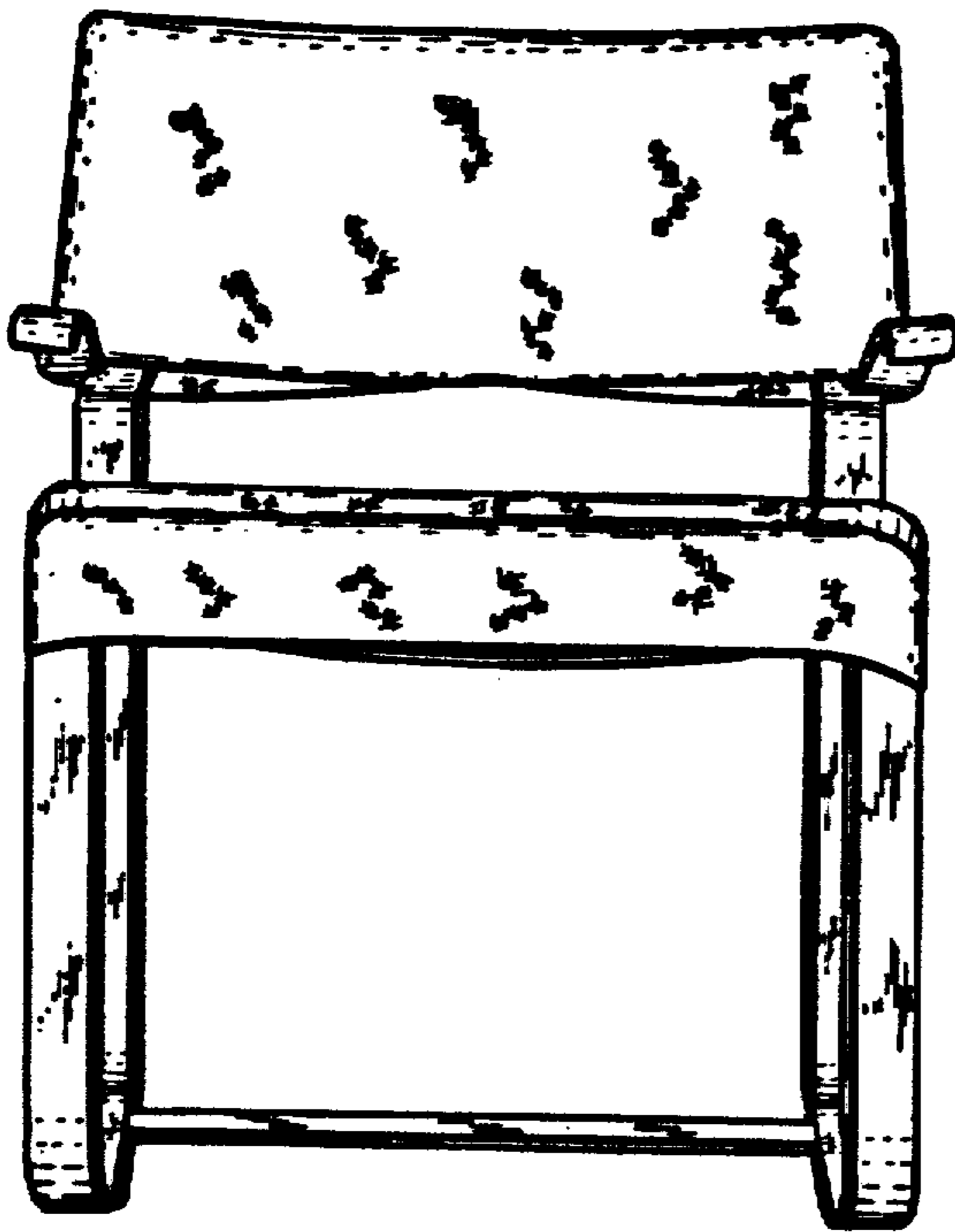


FIG. 2.

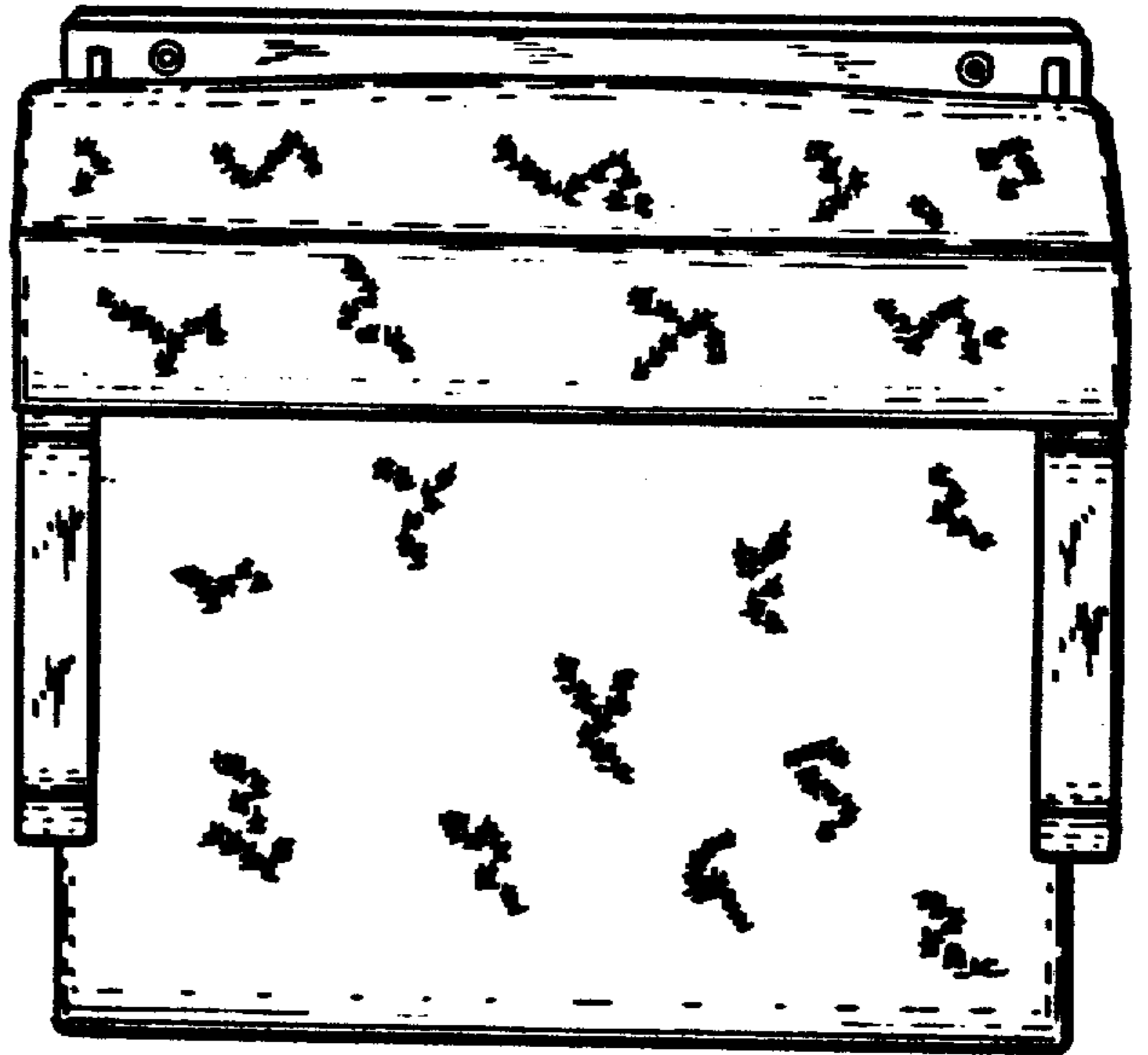


FIG. 3.

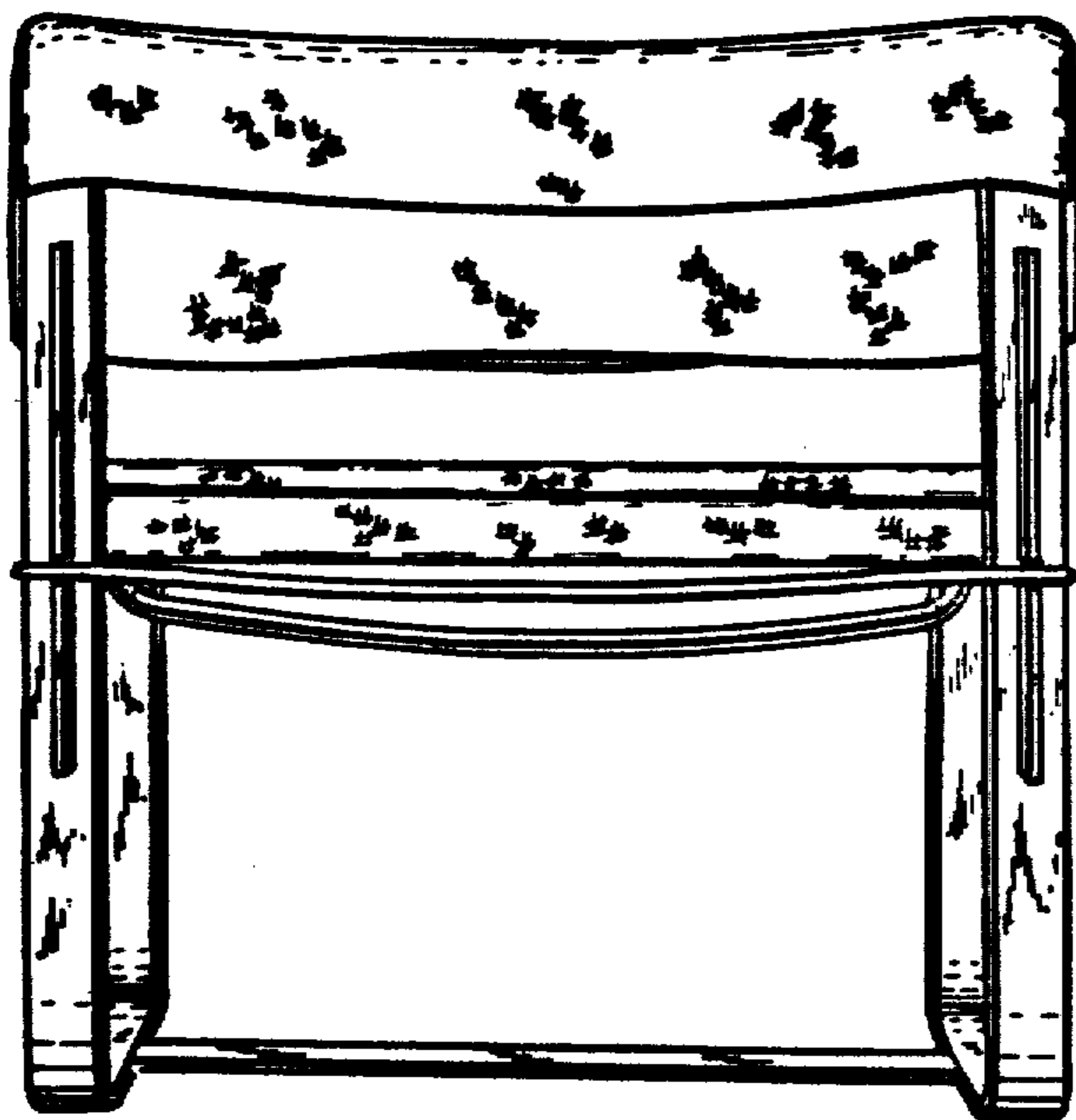


FIG. 4.

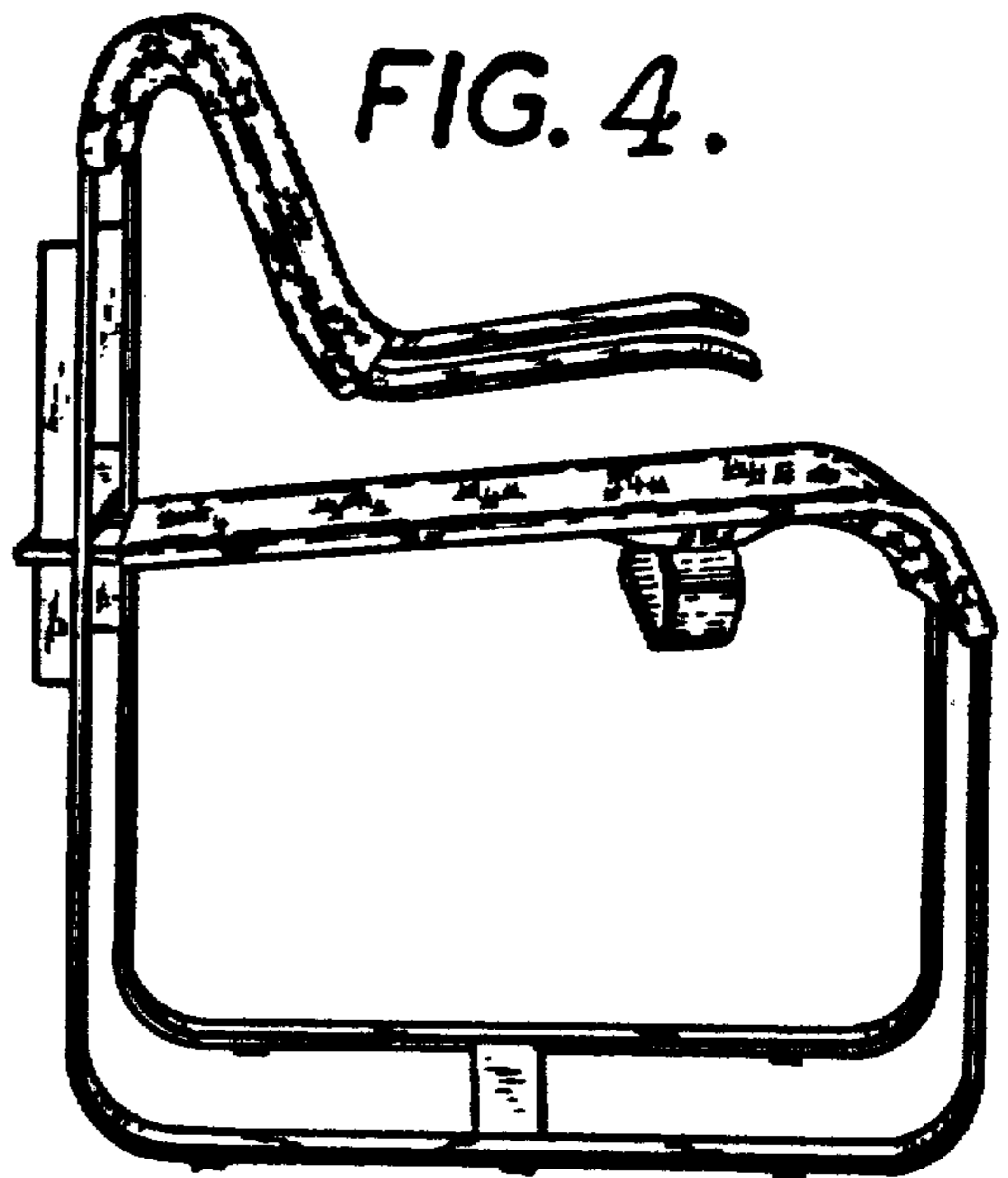


FIG. 5

