

[54] GREAT TOE PROSTHESIS

[75] Inventors: Daniel H. Treace, Germantown, Tenn.; Lowell S. Weil, Des Plaines; Stephen D. Smith, Chicago, both of Ill.

[73] Assignee: Richards Manufacturing Company, Memphis, Tenn.

[\*\*] Term: 14 Years

[21] Appl. No.: 598,649

[22] Filed: July 24, 1975

[51] Int. Cl. .... D24-03

[52] U.S. Cl. .... D83/1 E

[58] Field of Search ..... 3/1.911, 1, 1.9, 1.91; 128/92 C, DIG. 21; D83/1 E

[56] References Cited

U.S. PATENT DOCUMENTS

|           |        |                      |          |
|-----------|--------|----------------------|----------|
| 3,649,968 | 3/1972 | Prahl .....          | 3/30     |
| 3,688,316 | 9/1972 | Lagrange et al. .... | 3/1.911  |
| 3,837,009 | 9/1974 | Walker .....         | 3/1.911  |
| 3,886,600 | 6/1975 | Kahn et al. ....     | 128/92 C |

Primary Examiner—Bernard Ansher  
Attorney, Agent, or Firm—John R. Walker, III

[57] CLAIM

The ornamental design for a great toe prosthesis, substantially as shown and described.

DESCRIPTION

FIG. 1 is a side elevational view of the great toe prosthesis, showing our new design.

FIG. 2 is a side elevation of a metatarsal component of the great toe prosthesis, the opposite side being substantially similar thereto.

FIG. 3 is a top plan view of the metatarsal component of the great toe prosthesis.

FIG. 4 is a bottom plan view of the metatarsal component of the great toe prosthesis.

FIG. 5 is an end elevational view of the metatarsal component of the great toe prosthesis.

FIG. 6 is an end elevational view of the metatarsal component of the great toe prosthesis as viewed from the end opposite from that shown in FIG. 5.

FIG. 7 is a side elevational view of the phalangeal component of the great toe prosthesis, the opposite side being substantially similar thereto.

FIG. 8 is a top plan view of the phalangeal component of the great toe prosthesis.

FIG. 9 is a bottom plan view of the phalangeal component of the great toe prosthesis.

FIG. 10 is an end elevational view of the phalangeal component of the great toe prosthesis.

FIG. 11 is an end elevational view of the phalangeal component of the great toe prosthesis as viewed from the end opposite from that shown in FIG. 10.

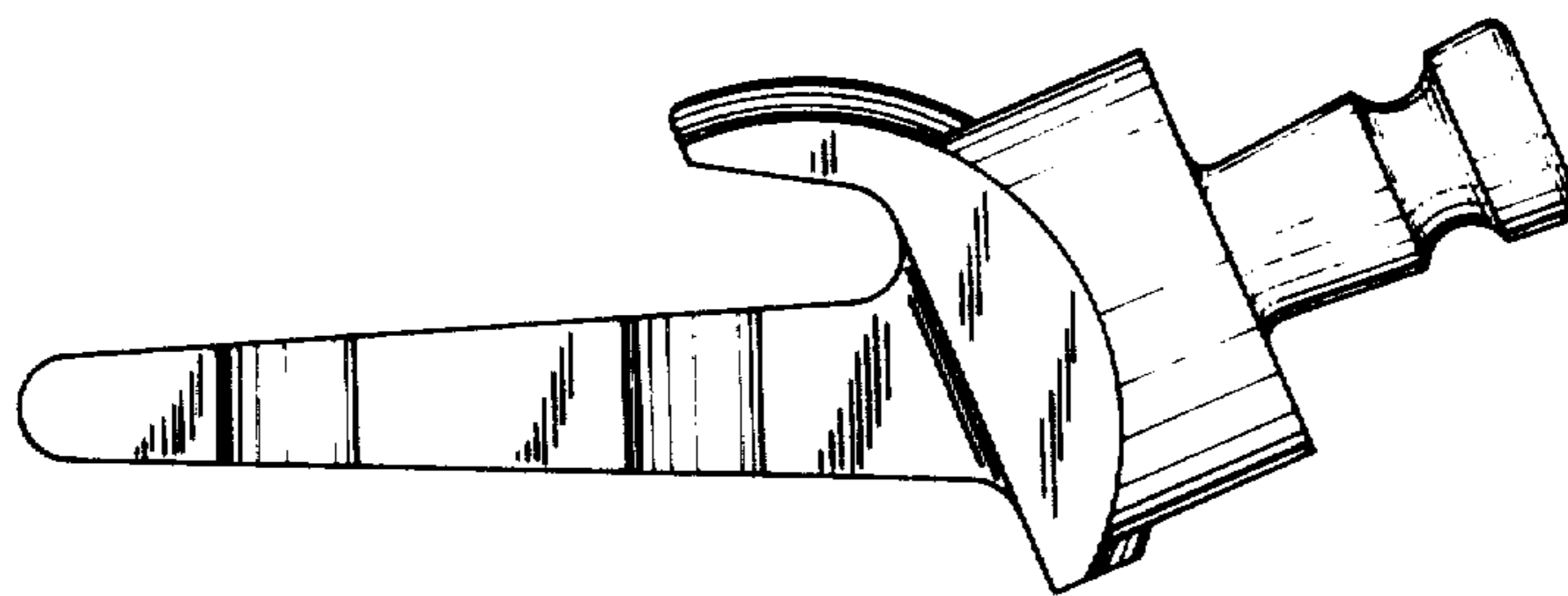


FIG. 1

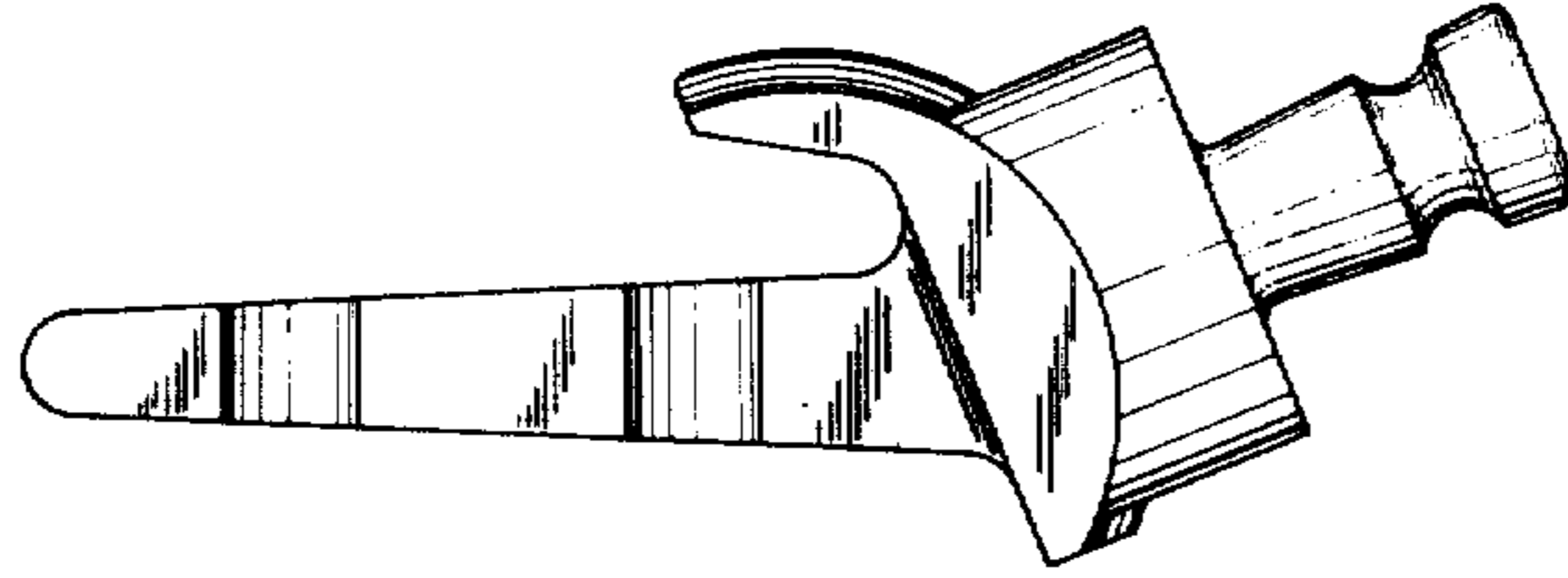


FIG. 2

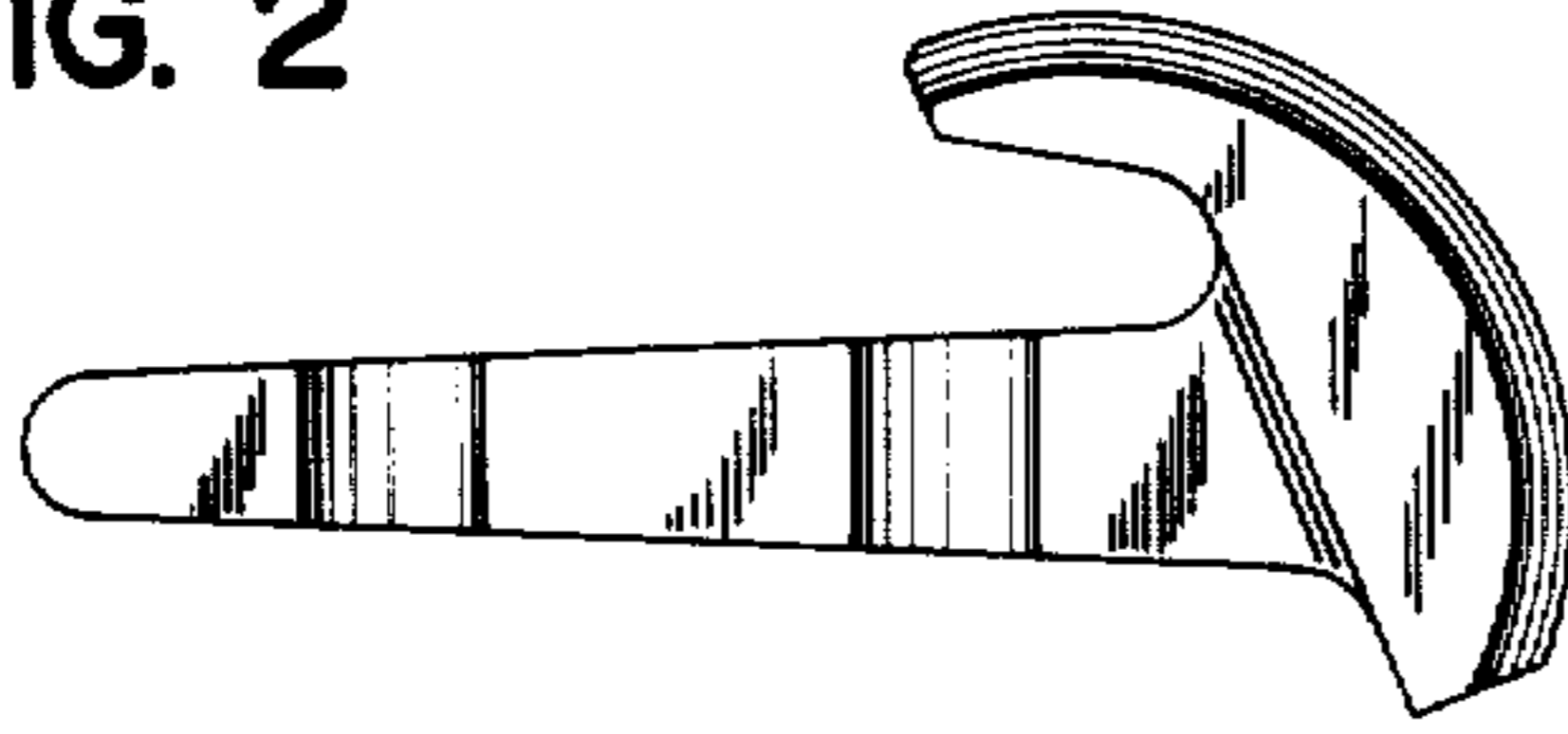


FIG. 7

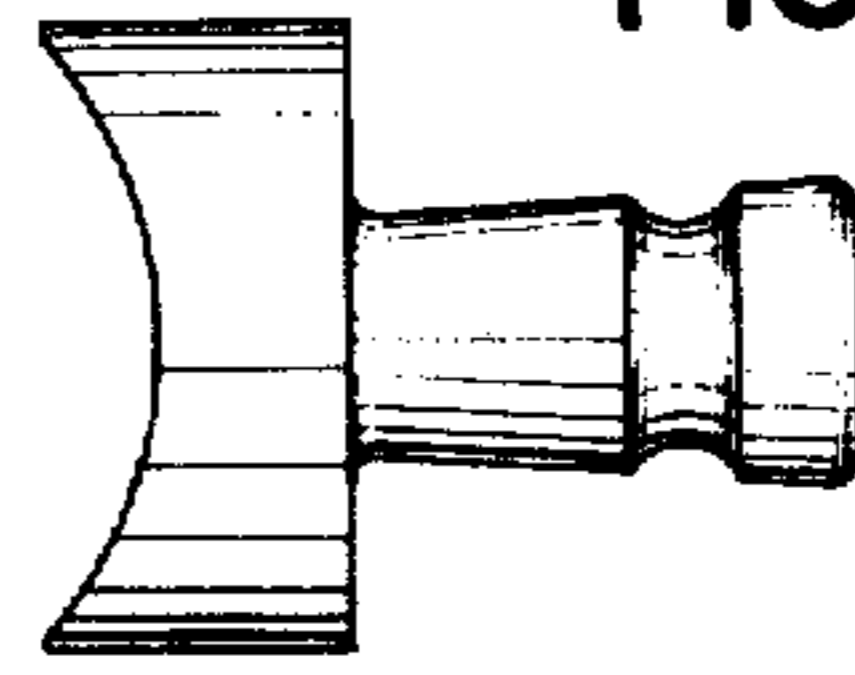


FIG. 3

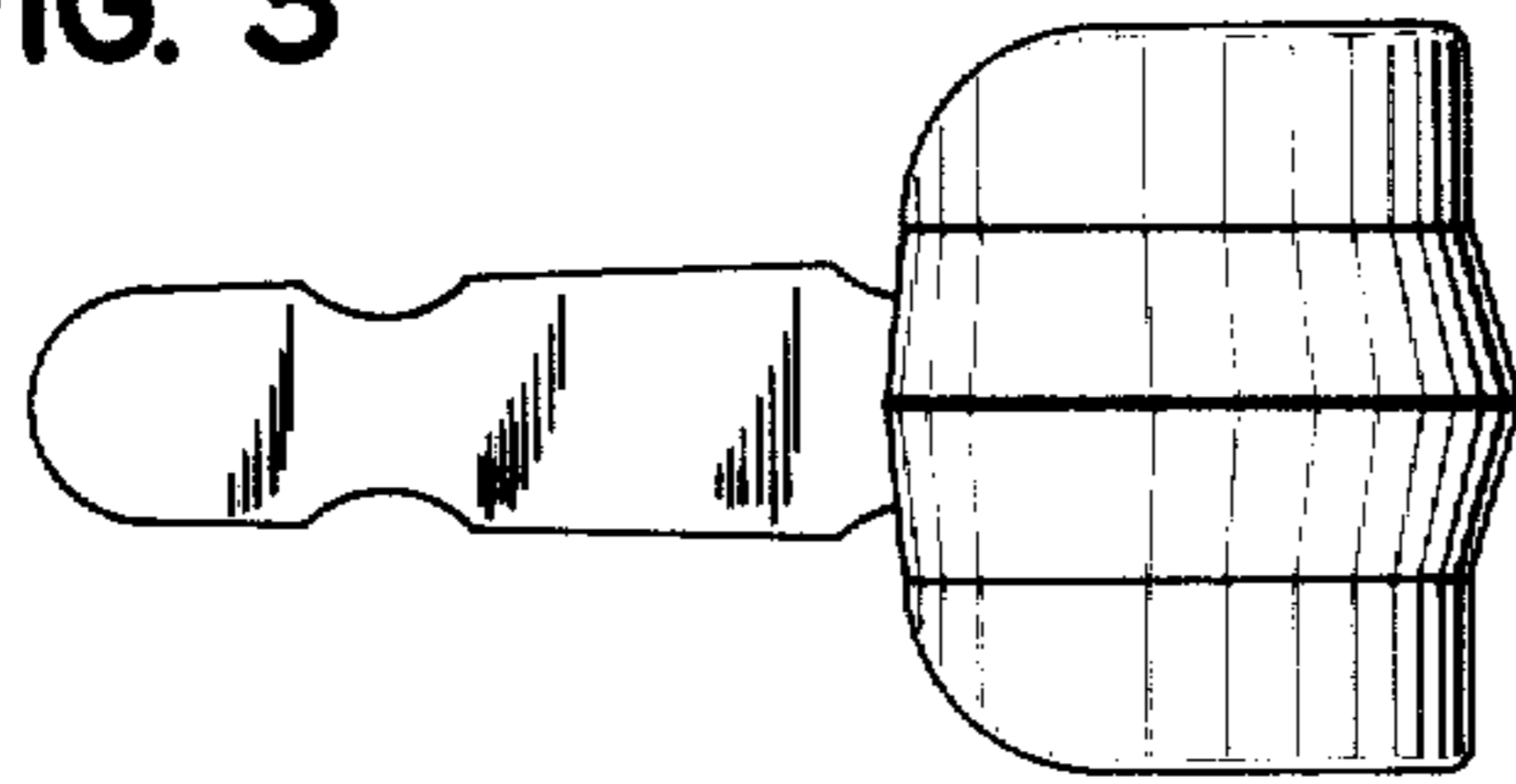


FIG. 8

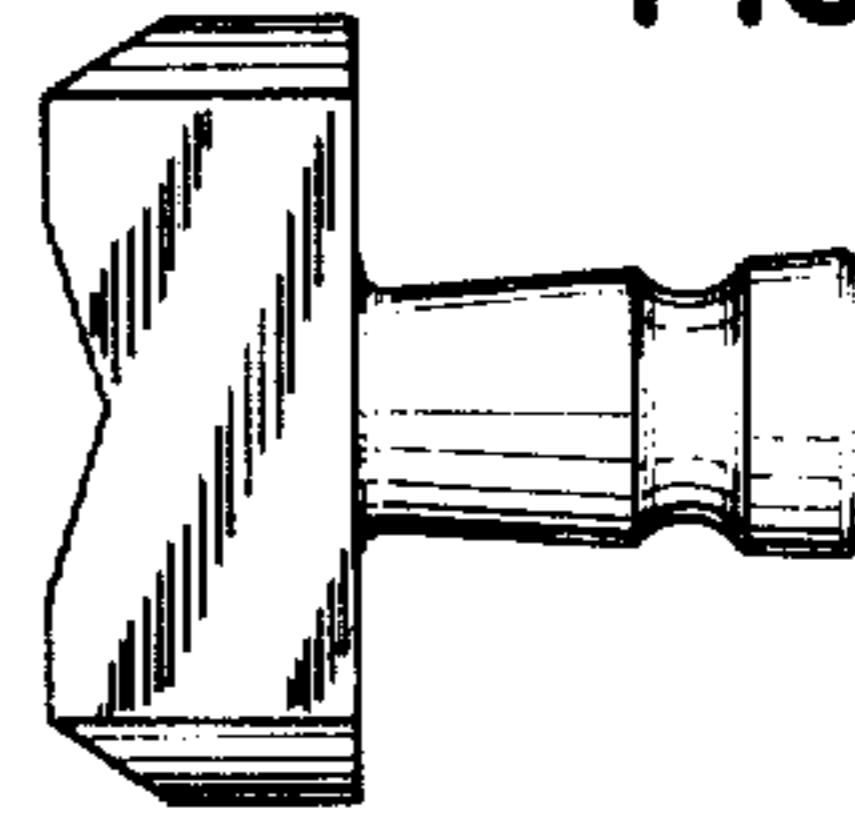


FIG. 4

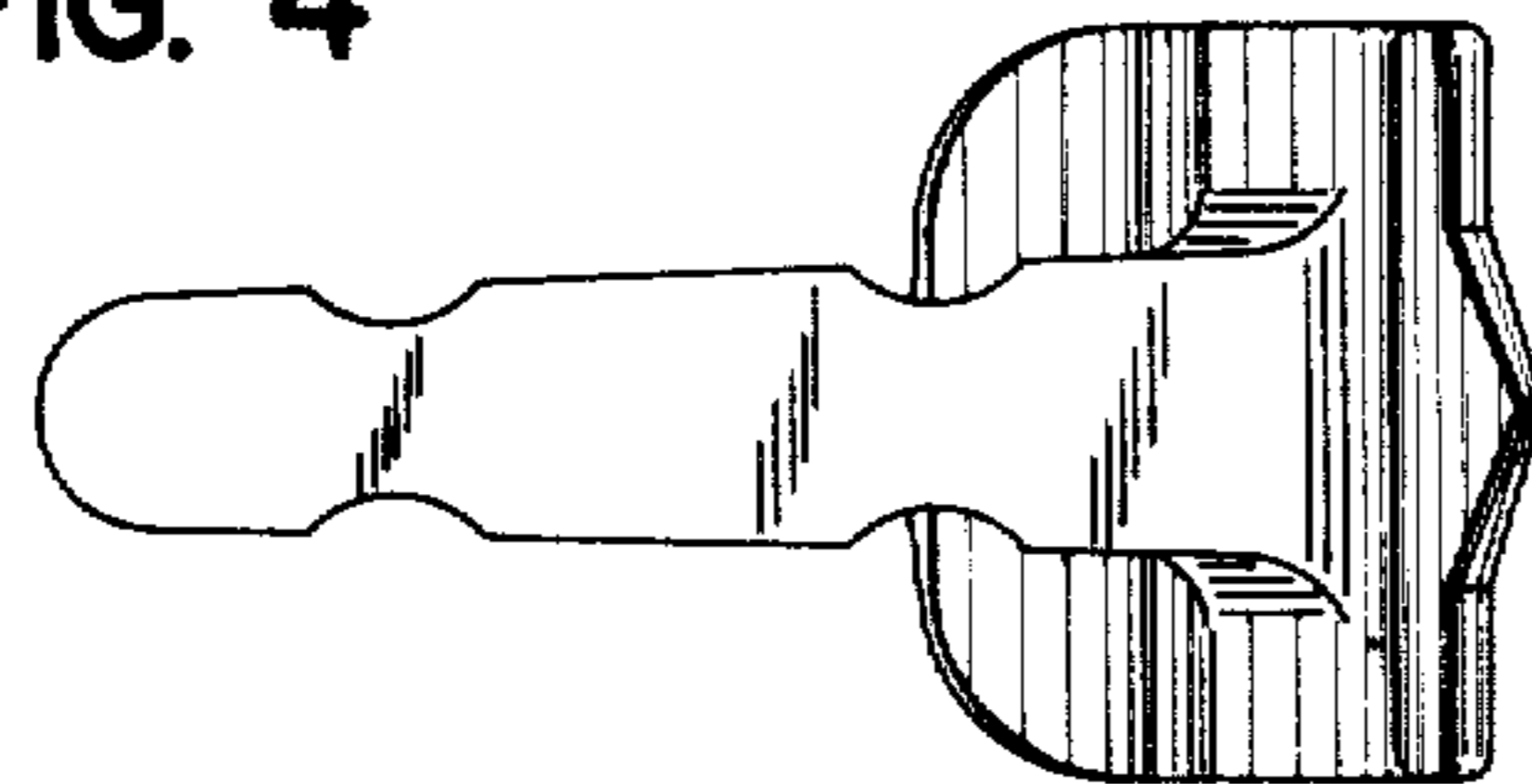


FIG. 9

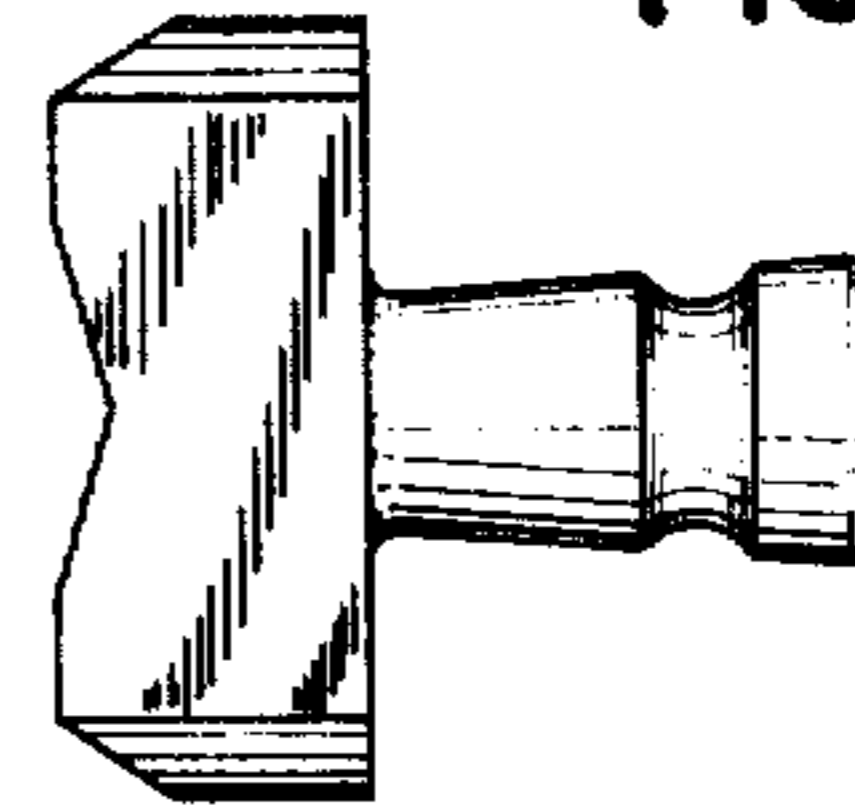


FIG. 5

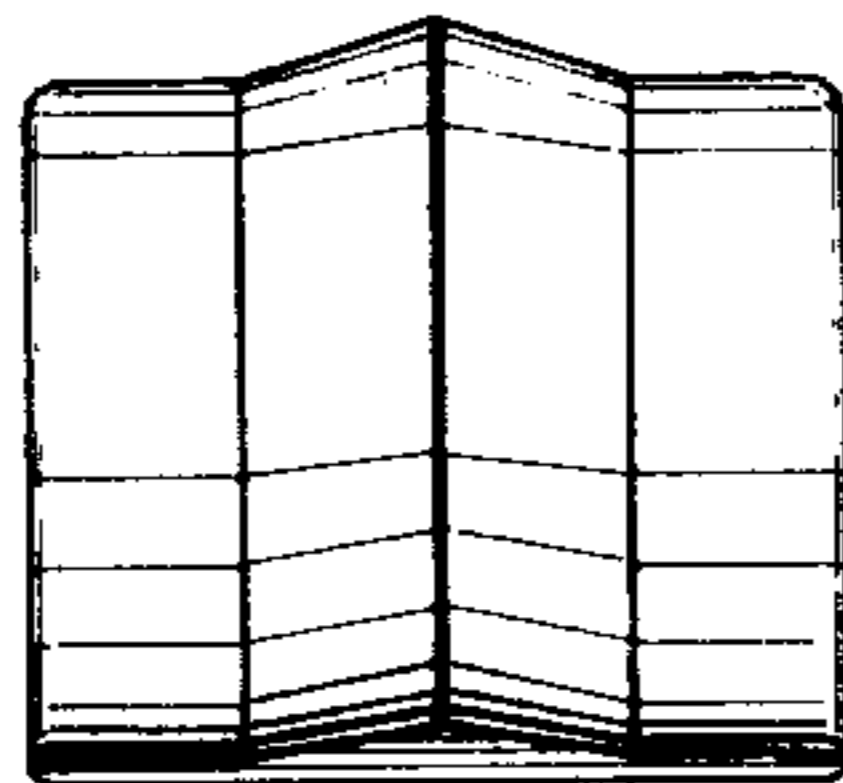


FIG. 10

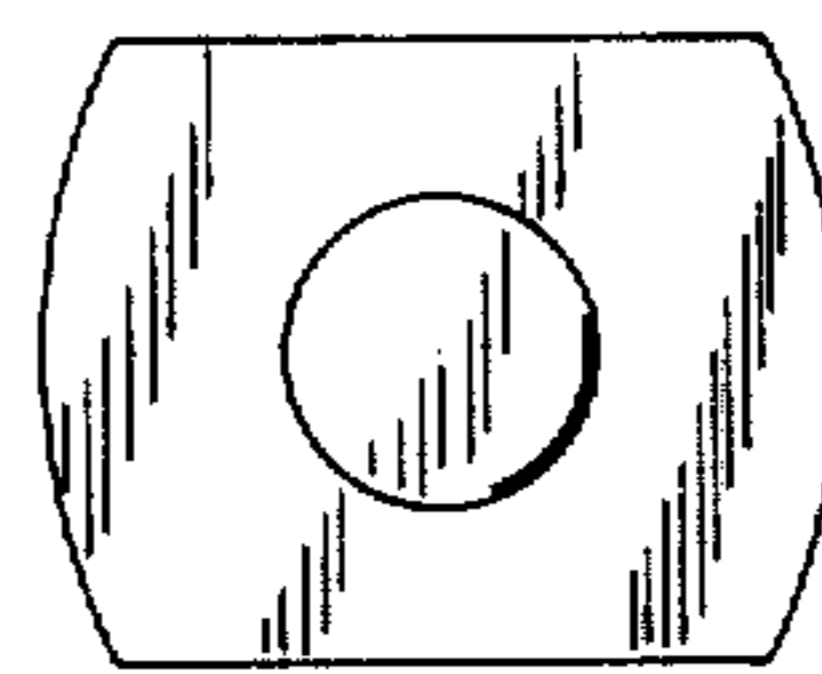


FIG. 6

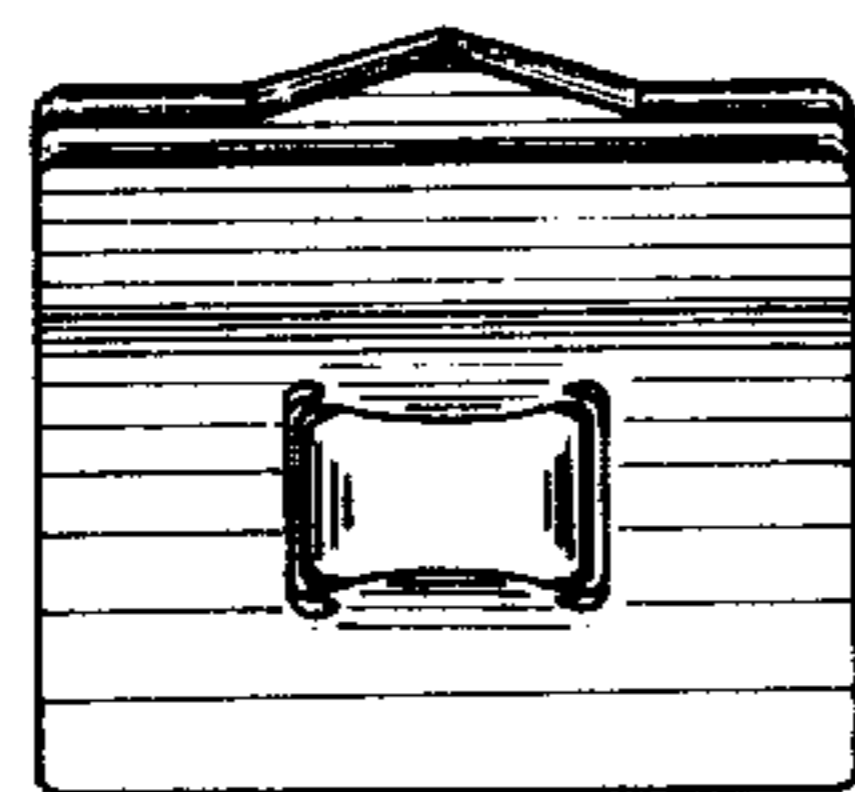


FIG. 11

