

[54] **AQUARIUM**
 [76] **Inventor:** **Tyrone Gamble**, 771 Catona Park
 North, New York, N.Y. 10561
 [**] **Term:** **14 Years**
 [21] **Appl. No.:** **681,340**
 [22] **Filed:** **Apr. 28, 1976**
 [51] **Int. Cl.** **D30-02**
 [52] **U.S. Cl.** **D30/8**
 [58] **Field of Search** **D30/1-12;**
 119/1, 5

D. 84,002 4/1931 Smith D30/6
 D. 168,582 1/1953 McMorrow D30/6
 D. 207,296 3/1967 Bartholomew D30/8
 D. 238,591 1/1976 De Shores et al. D30/11

Primary Examiner—James R. Largen
Attorney, Agent, or Firm—Bert J. Lewen

[57] **CLAIM**

The ornamental design for an aquarium, substantially as shown.

DESCRIPTION

FIG. 1 is a perspective view of an aquarium embodying my new design;
 FIG. 2 is a top plan view thereof; and
 FIG. 3 is a side elevational view thereof.

[56] **References Cited**
U.S. PATENT DOCUMENTS
 3,921,583 11/1975 De Shores D30/6 X

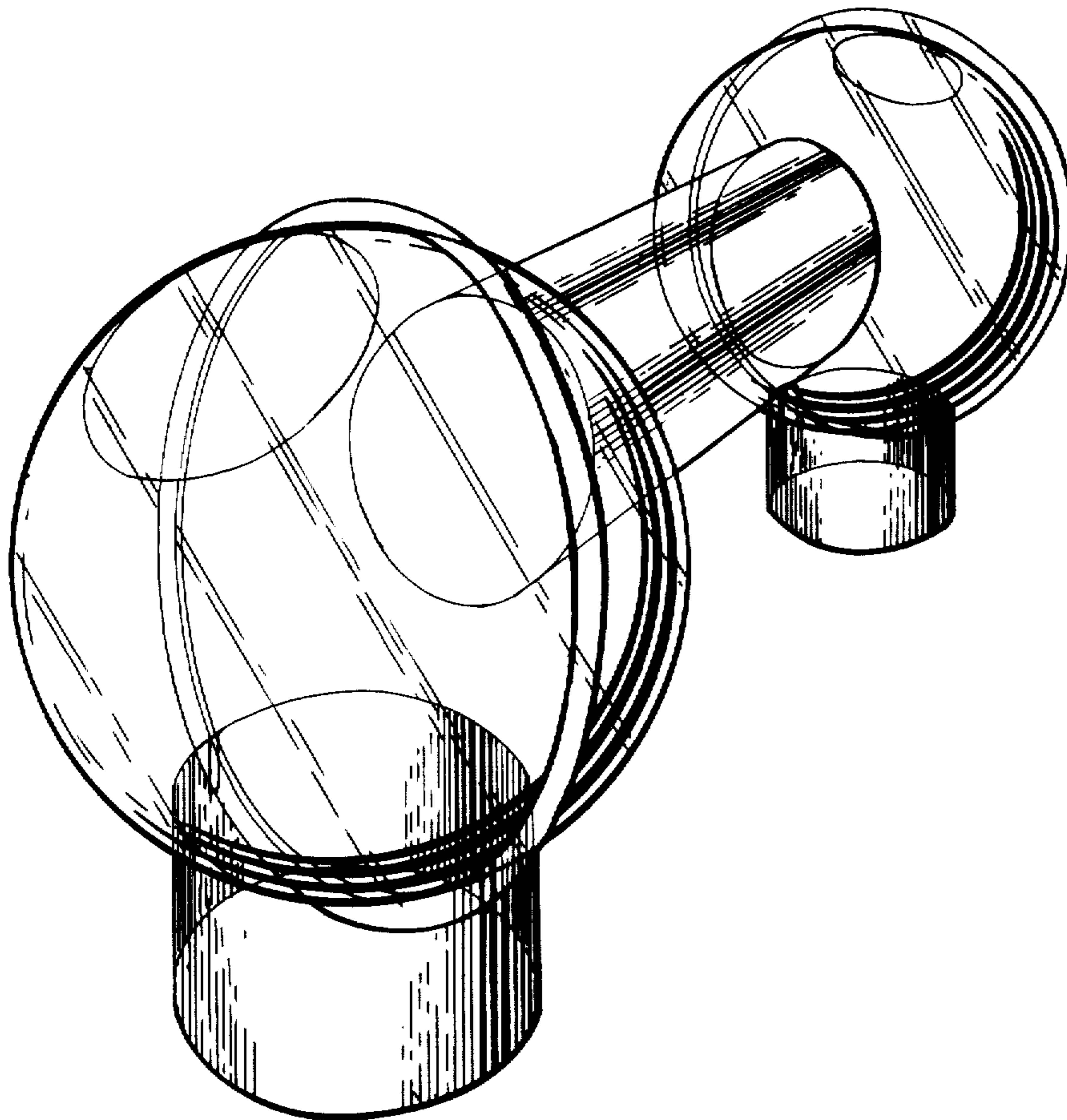


FIG. 1

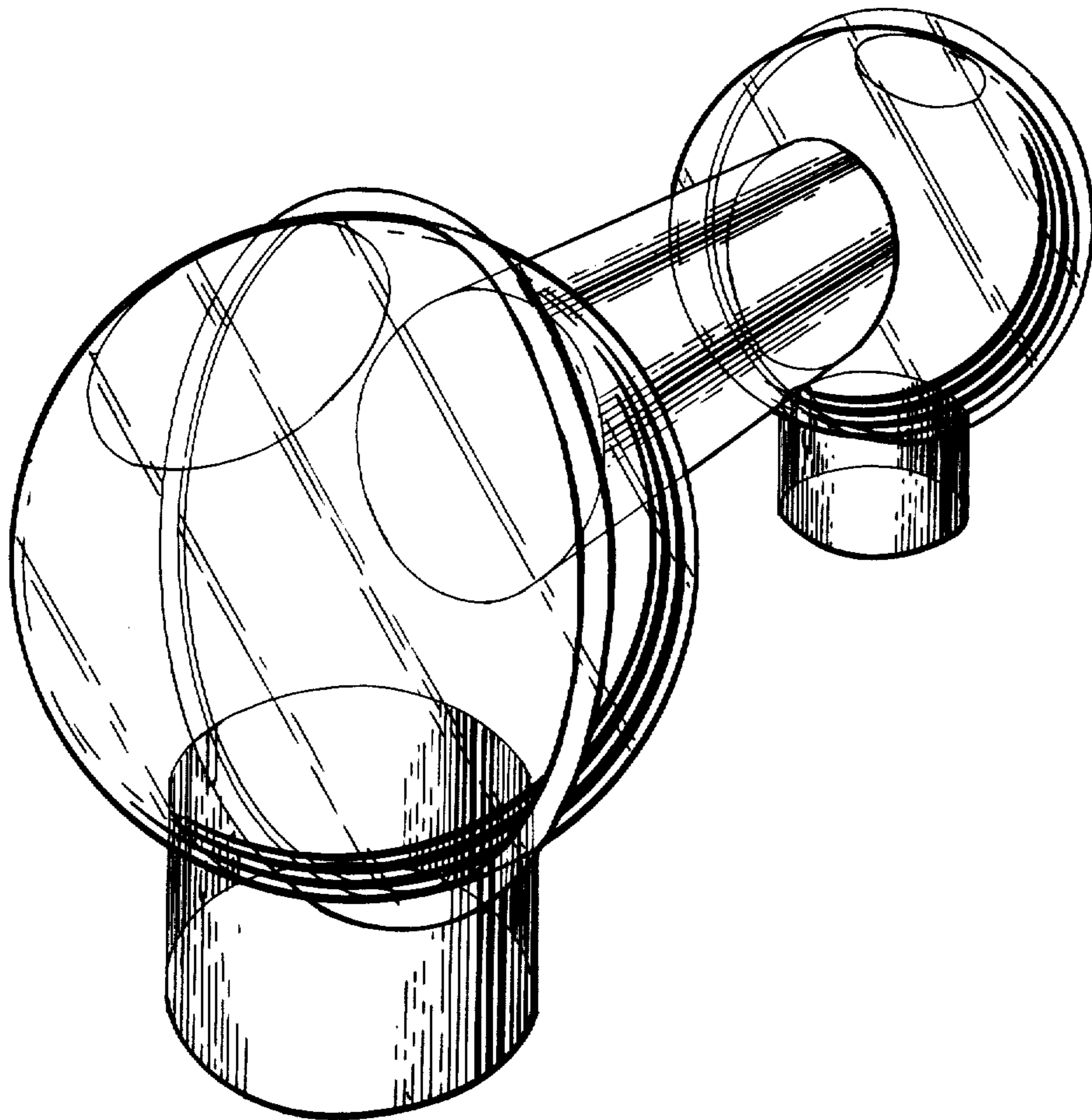


FIG. 2

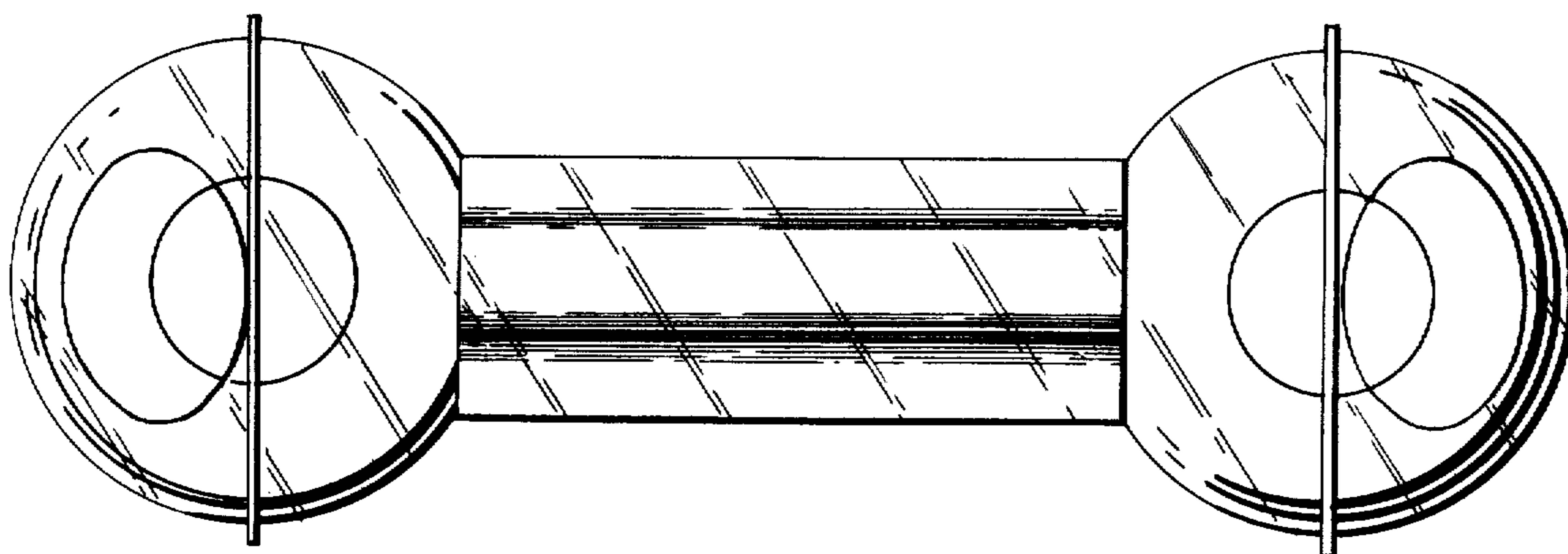


FIG. 3

