

[54] COMBINED ELECTRICAL CONNECTOR AND ADAPTER PLUG THEREFOR

[76] Inventor: James J. Gietzen, 75 Parnell Drive, Smithtown, N.Y. 11787

[**] Term: 14 Years

[21] Appl. No.: 622,831

[22] Filed: Oct. 16, 1975

[51] Int. Cl. D13-03

[52] U.S. Cl. D13/24

[58] Field of Search D26/1 R, 1 A, 1 D, 1 E; 339/153, 154 R, 154 A, 28, 29 R, 102 R, 218 R, 218 M

[56] References Cited

U.S. PATENT DOCUMENTS

1,004,306	9/1911	Spencer	339/103 R
1,642,064	9/1927	Engstrom	339/154 A X
2,690,547	9/1954	Marks et al.	339/28 X
3,029,406	4/1962	Huth	339/218 R X
3,093,432	6/1963	King	339/103 R X
3,148,011	9/1964	Brown	339/102 R X

FOREIGN PATENT DOCUMENTS

527,944	4/1954	Belgium	339/107
53,763	5/1967	Germany	339/218

Primary Examiner—Susie J. Mercer
Attorney, Agent, or Firm—Eugene E. Geoffrey, Jr.

[57] CLAIM

The ornamental design of an combined electrical connector and adapter plug therefor, as shown.

DESCRIPTION

FIG. 1 is a perspective view of the combined electrical connector and adapter plug showing my new design. FIG. 2 is an exploded view thereof.

FIGS. 3, 4 and 5 are respectively front, side and rear elevational views of the adapter plug, the connector being omitted in FIGS. 4 and 5 for purposes of disclosure.

FIGS. 6, 7 and 8 are respectively front, side and rear elevational views of a second embodiment of my new design, the connector being omitted in FIGS. 7 and 8 for purposes of disclosure, it being understood that the connector is

the same as in the first embodiment.

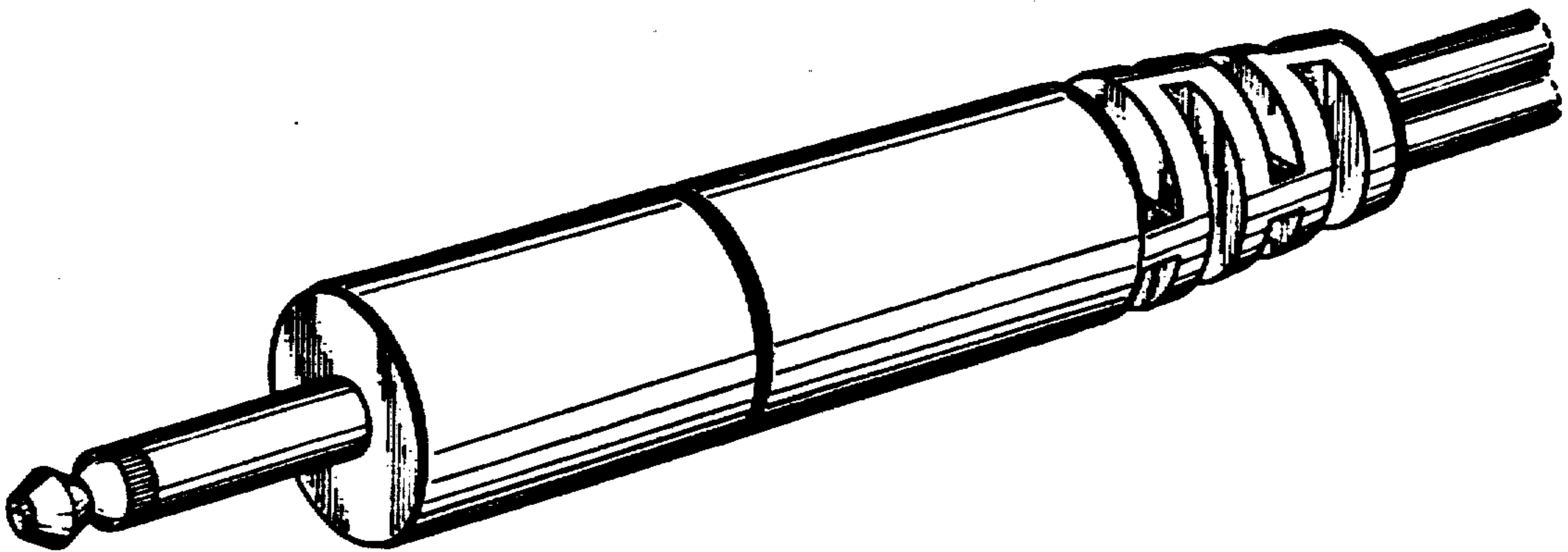


Fig. 1.

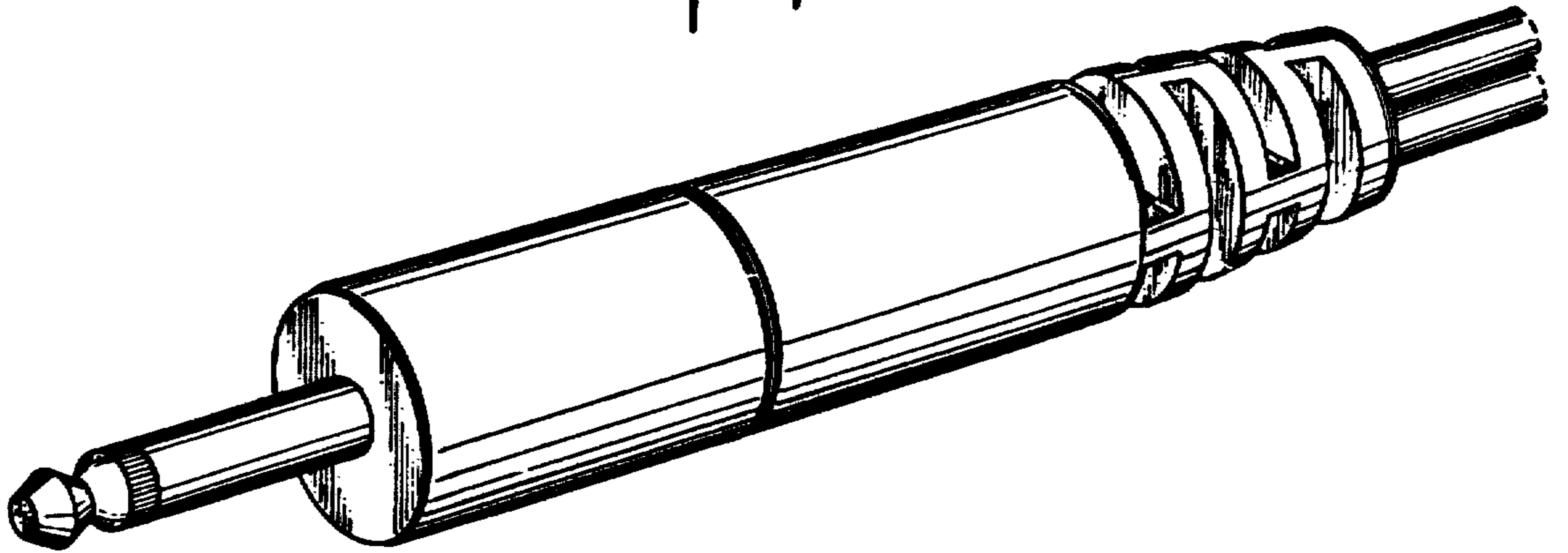


Fig. 2

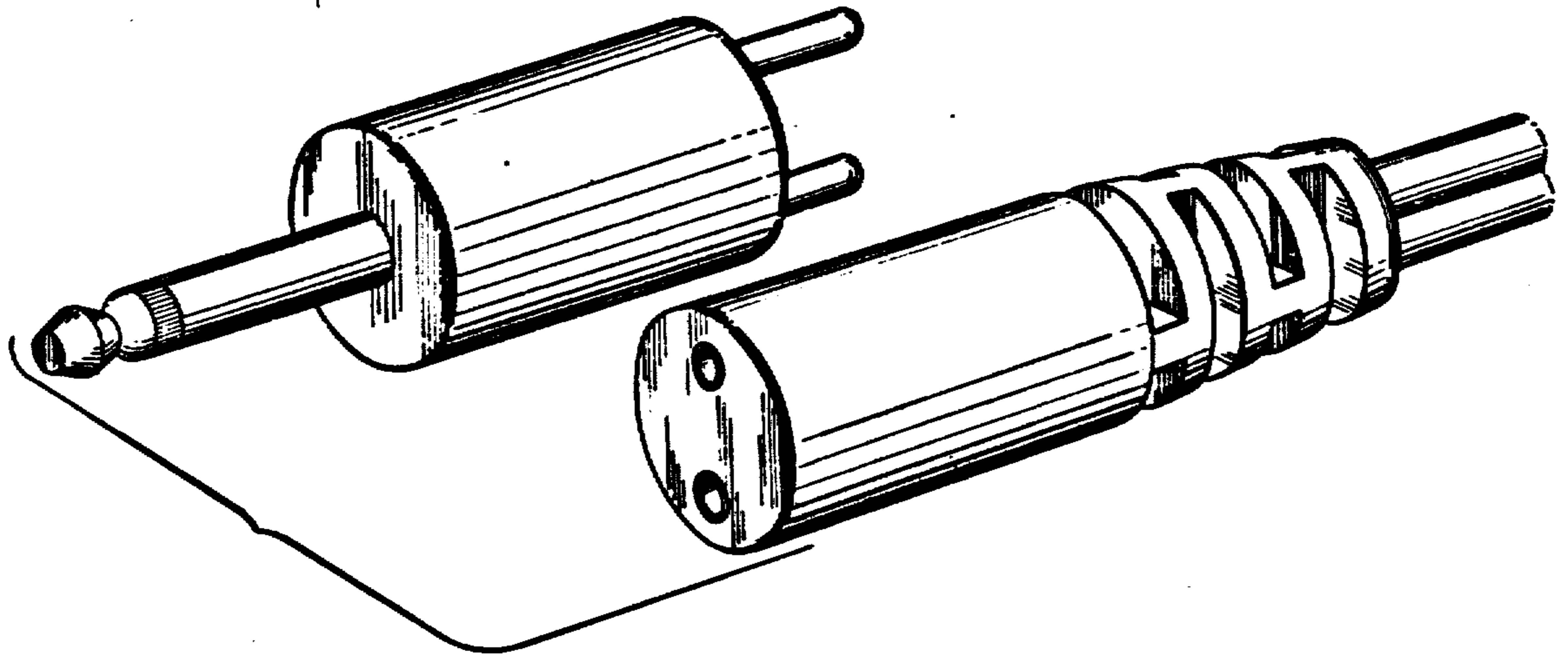


Fig. 3.

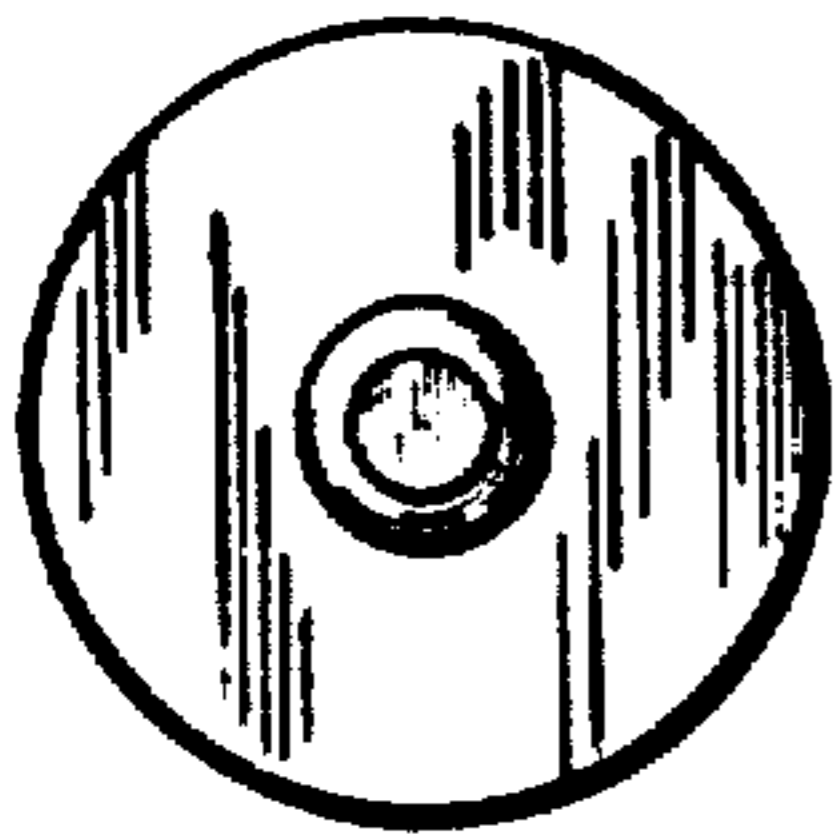


Fig. 4.

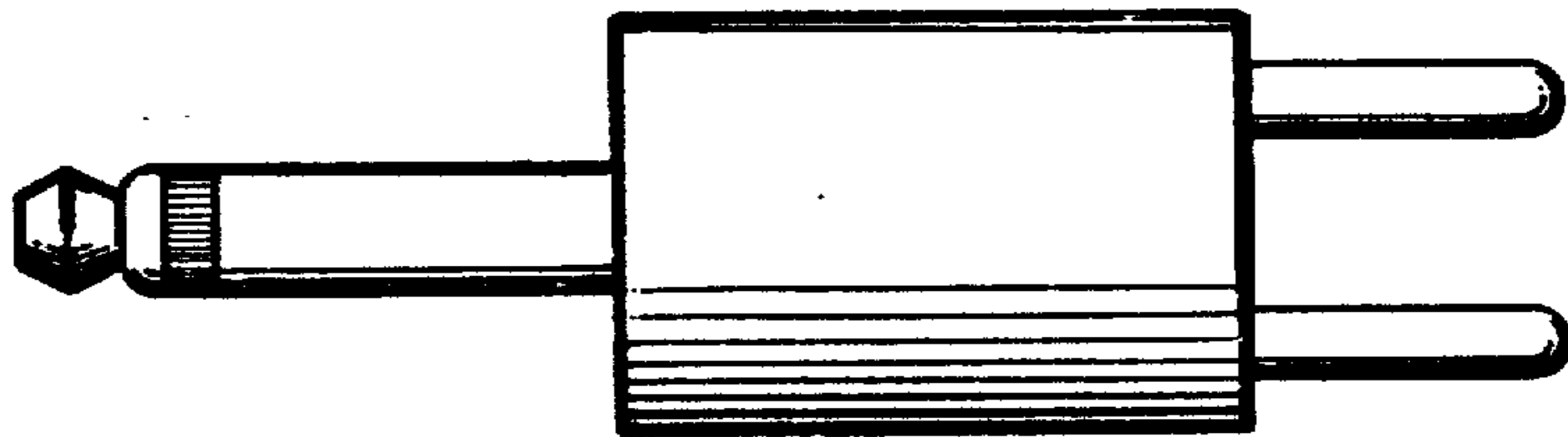


Fig. 5.

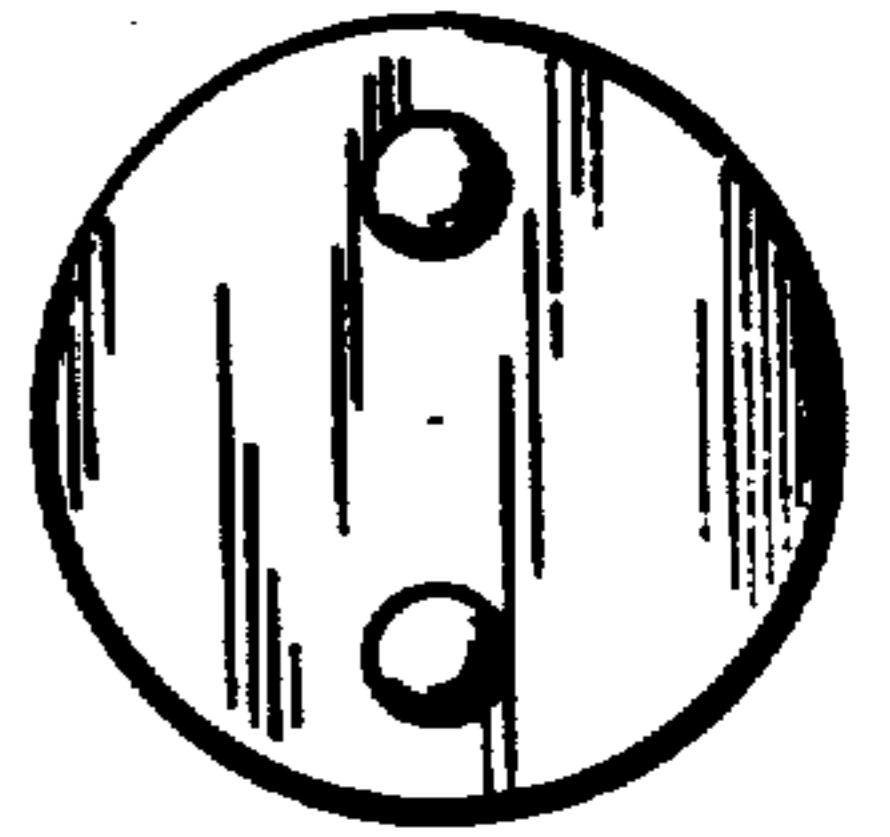


Fig. 6.

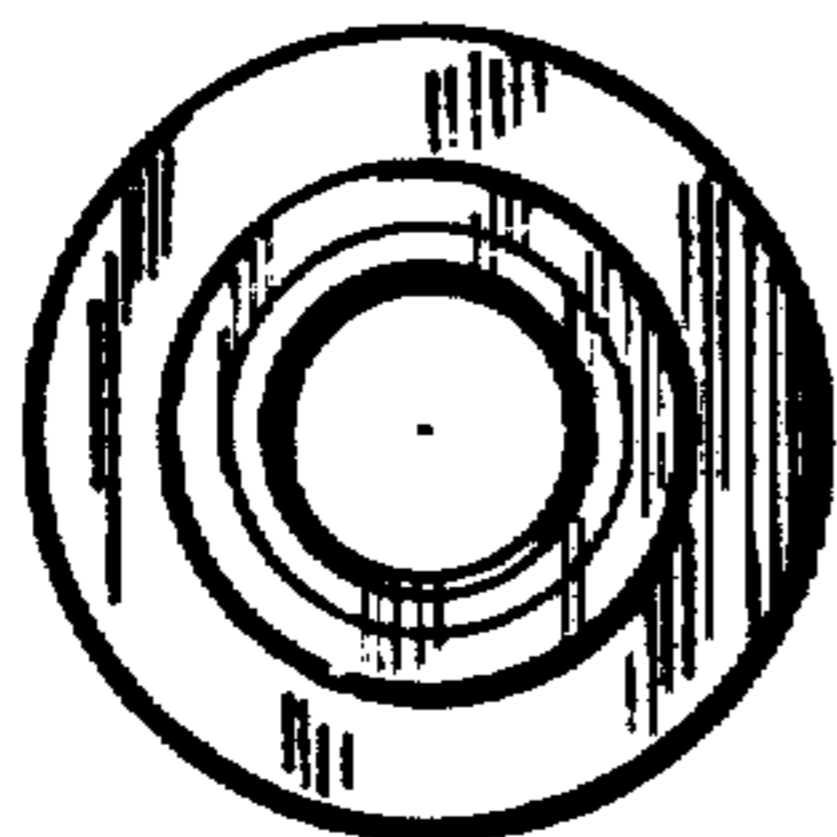


Fig. 7.

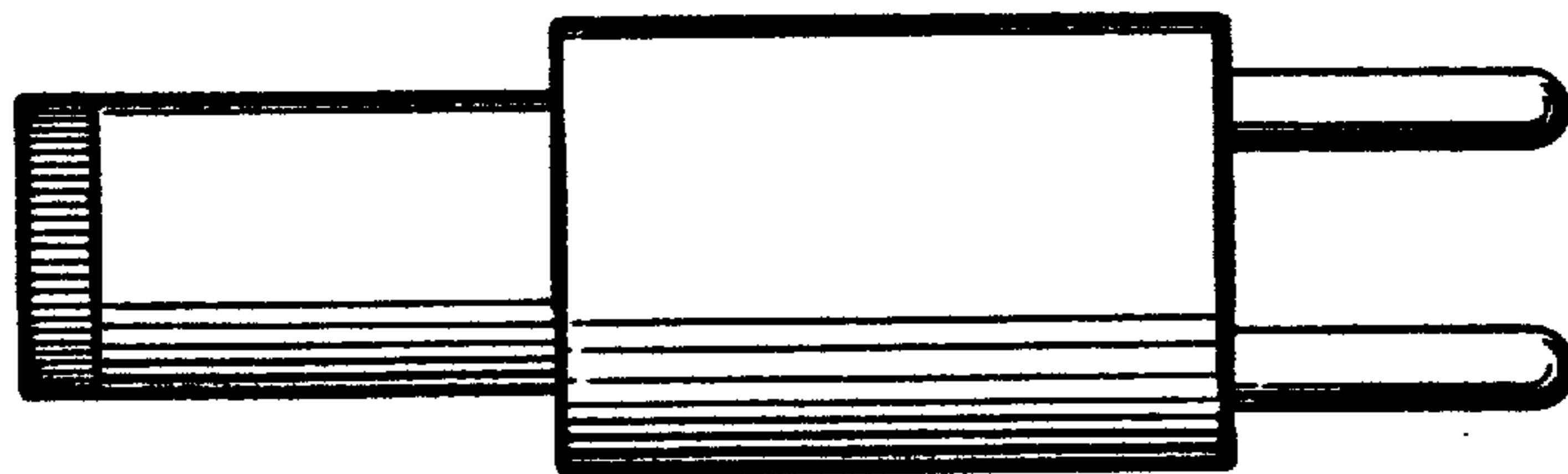


Fig. 8.

