

- [54] **PORTABLE CATALYTIC HEATER**
- [75] Inventor: **Ernest L. Faulkner**, Independence, Kans.
- [73] Assignee: **Bruest Industries, Inc.**, Independence, Kans.
- [**] Term: **14 Years**
- [21] Appl. No.: **596,278**
- [22] Filed: **July 16, 1975**
- [51] Int. Cl**D.23-02**
- [52] U.S. Cl. **D23/72**
- [58] Field of Search **D23/72, 77, 120, 122, D23/124; 126/263; 431/268**

3,540,429	11/1970	Svensson et al.	D23/120
D. 172,503	6/1954	Johnson	D23/124
D. 225,640	12/1972	Baugh	D23/122

Primary Examiner—Susie J. Mercer
Assistant Examiner—B. J. Bullock
Attorney, Agent, or Firm—Gordon D. Schmidt

[56] **References Cited**

U.S. PATENT DOCUMENTS

2,627,306	2/1953	Stadd et al.	431/268
3,240,256	3/1966	Binkley et al.	431/268

[57] **CLAIM**

The ornamental design for a portable catalytic heater, as shown and described.

DESCRIPTION

FIG. 1 is a top left, front perspective view of a portable catalytic heater pursuant to my present design; FIG. 2 is an elevational view of the left side thereof; FIG. 3 is an elevational view of the right side thereof; and FIG. 4 is a rear elevational view thereof.

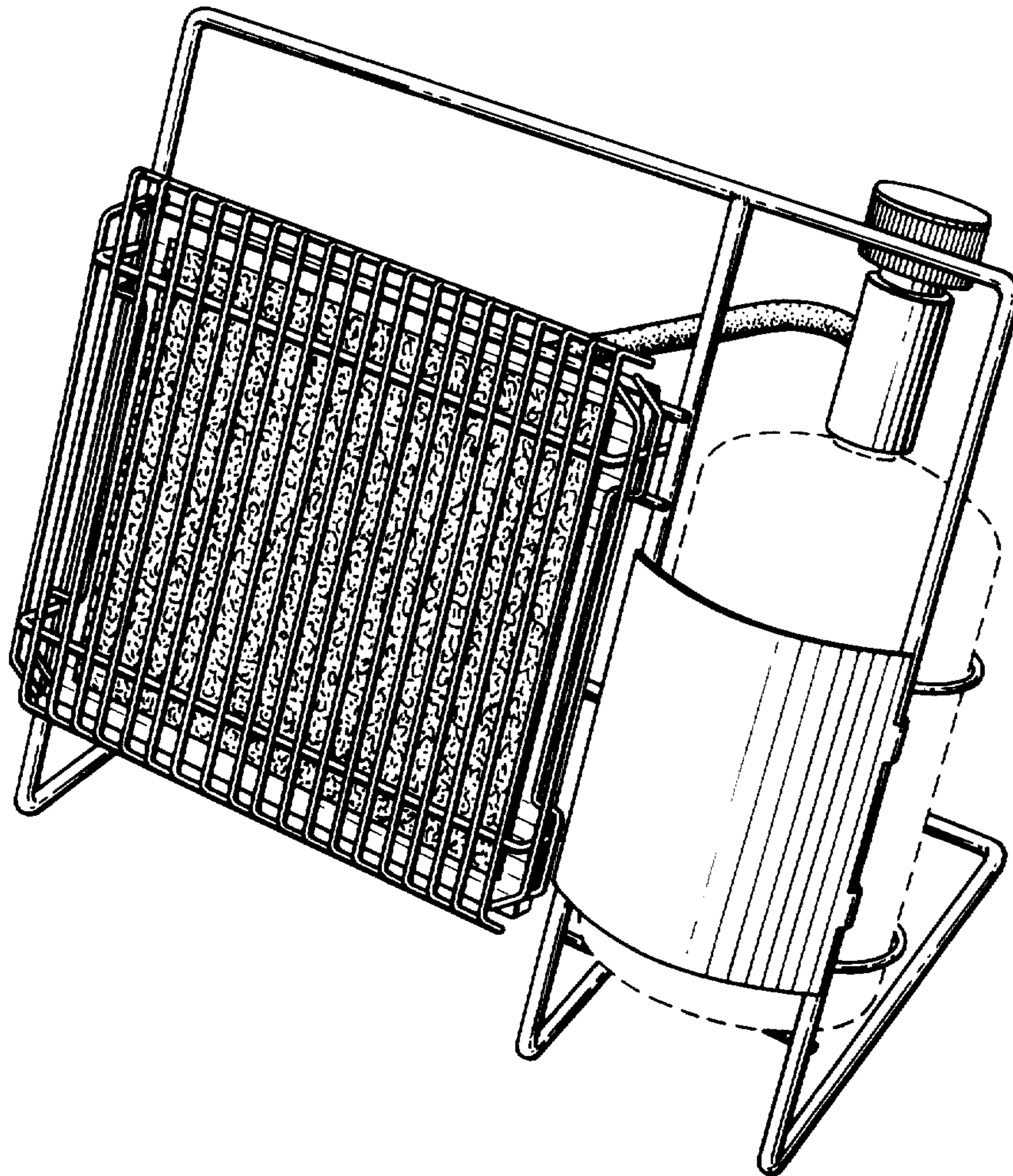


Fig. 1.

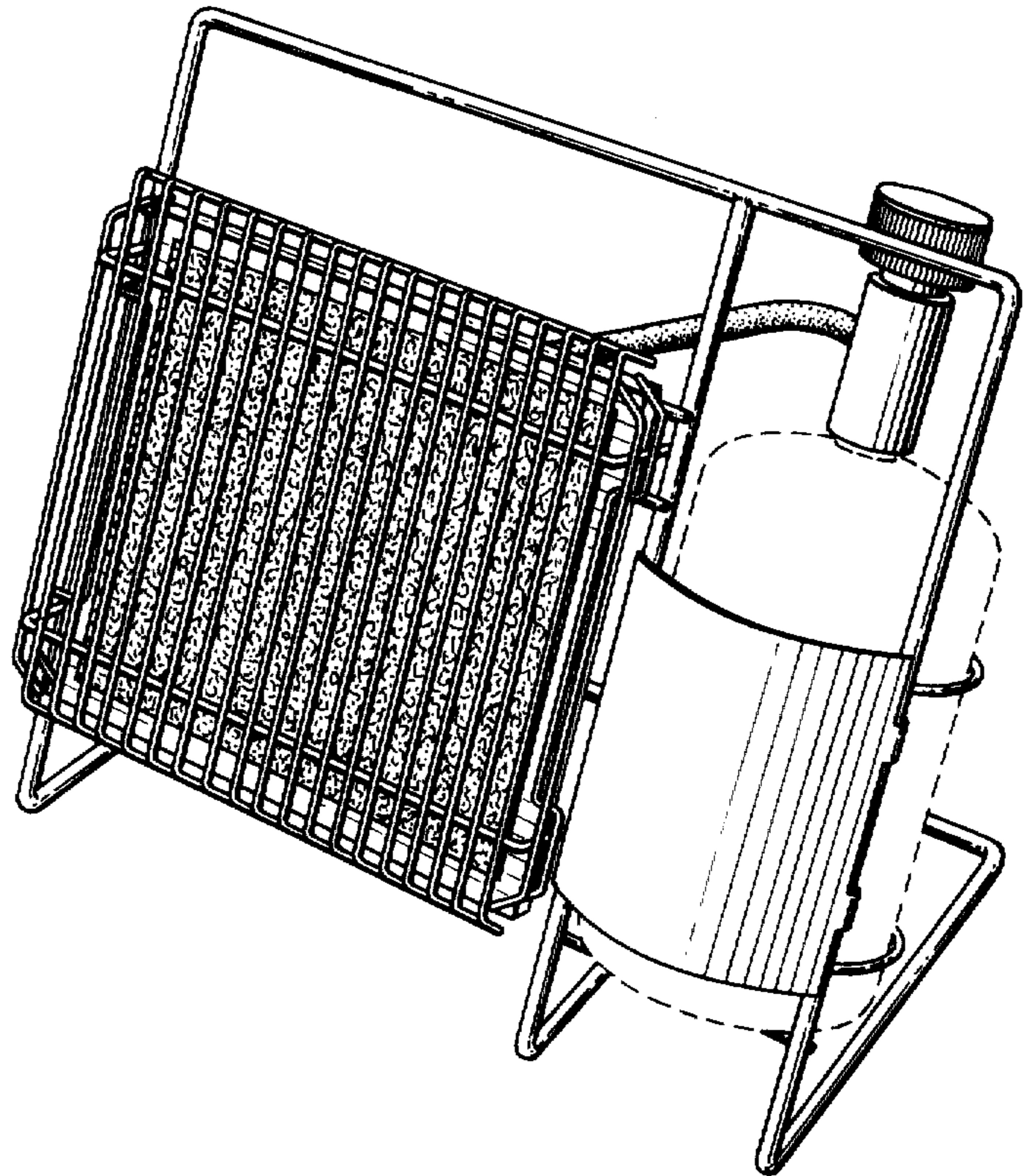


Fig. 2.

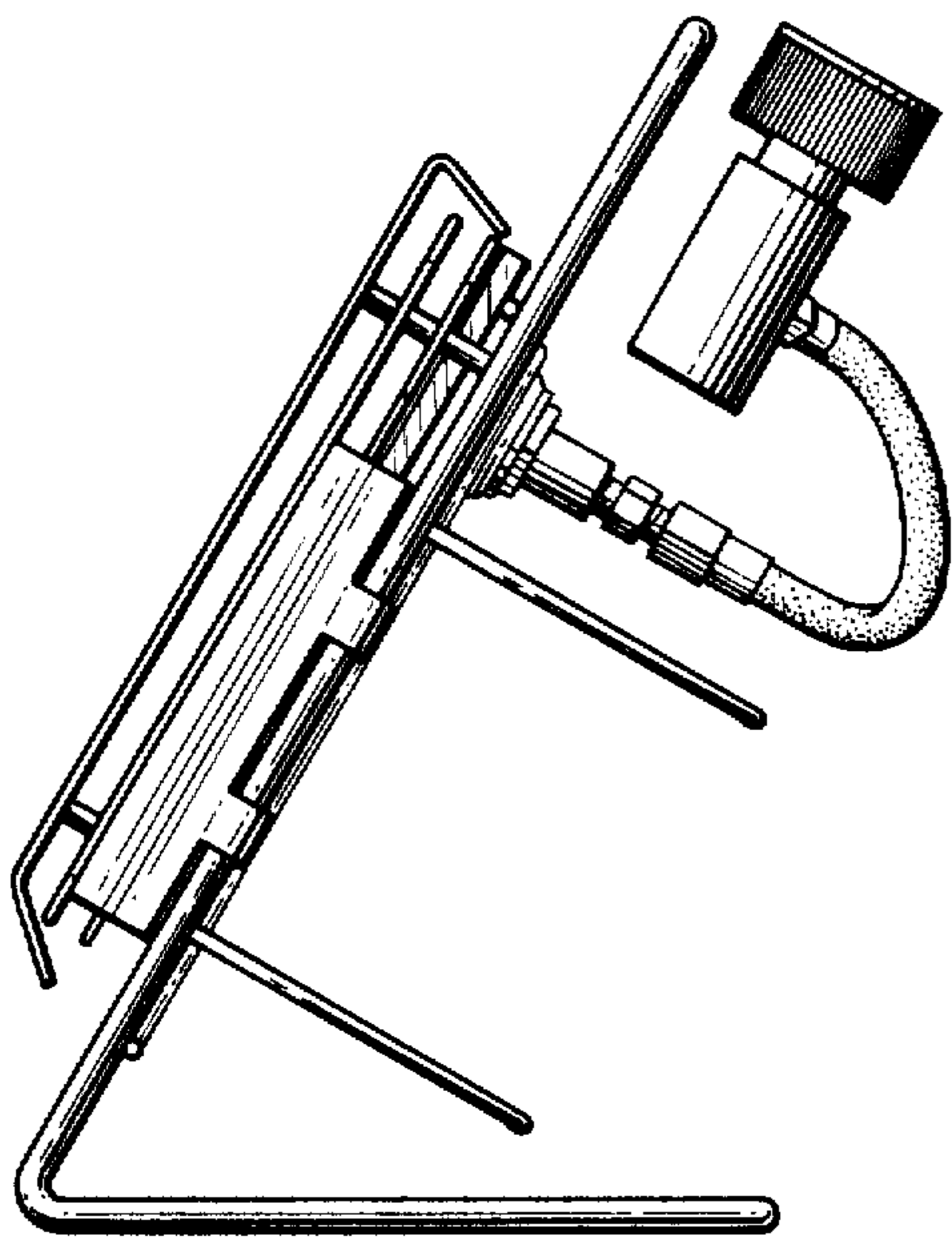


Fig. 4.

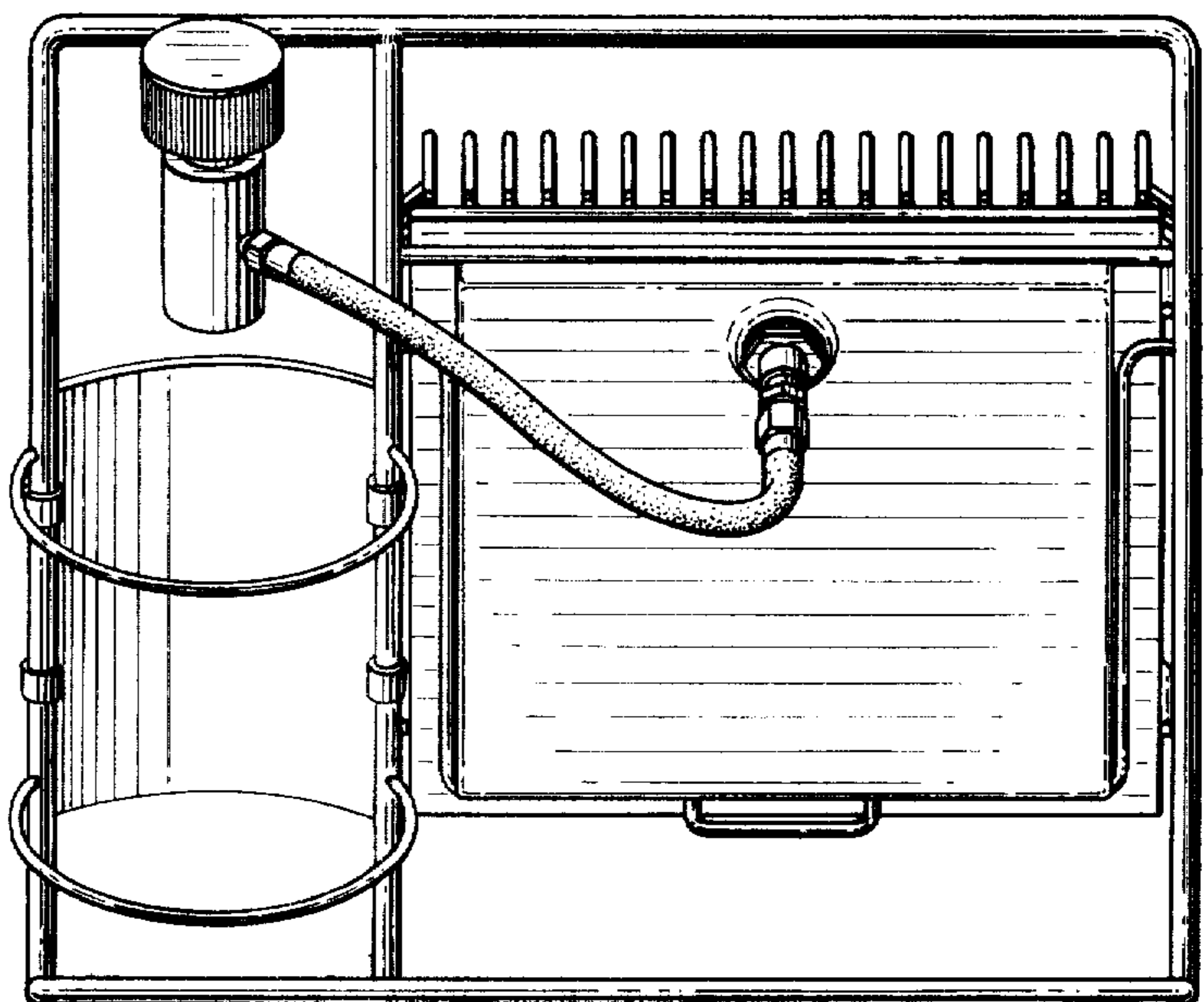


Fig. 3.

