

[54] BATH TUB

[75] Inventor: **George S. Gruber**, Hidden Hills, Calif.

[73] Assignee: **Dimensionetix, Inc.**, North Hollywood, Calif.

[**] Term: **14 Years**

[21] Appl. No.: **691,036**

[22] Filed: **May 28, 1976**

[51] Int. Cl. **D23-02**

[52] U.S. Cl. **D23/55**

[58] Field of Search D23/48-50,
D23/55-57; 4/1-5, 10, 146, 148, 152-155,
173, 178, 180, 185 S, 185 AB, 185 L

[56] **References Cited**

U.S. PATENT DOCUMENTS

2,081,728	5/1957	Bassett	4/173
2,566,495	9/1951	Miyakawa	4/173
3,496,577	2/1970	Saldana	4/185 R X
D. 214,270	5/1969	Bonsack	D23/55
D. 226,607	4/1973	Lawrence	D23/55

D. 229,180	11/1973	Mollerstedt	D23/55
D. 230,021	1/1974	Primault	D23/55
D. 237,616	11/1975	Gordon	D23/55
D. 238,071	12/1975	Granger	D23/55
D. 238,072	12/1975	Granger	D23/55
D. 238,074	12/1975	Gruber	D23/55

Primary Examiner—James R. Largen
Attorney, Agent, or Firm—Robert E. Geauque

[57] **CLAIM**

The ornamental design for a bath tub, substantially as shown and described.

DESCRIPTION

FIG. 1 is a top plan view of a bath tub showing my new design;
FIG. 2 is a front elevational view thereof, the rear being a mirror image of the front shown;
FIG. 3 is a left side elevational view thereof;
FIG. 4 is a right side elevational view thereof;
FIG. 5 is a cross sectional view taken along line 5—5 of FIG. 1; and
FIG. 6 is a cross sectional view taken along line 6—6 of FIG. 1.

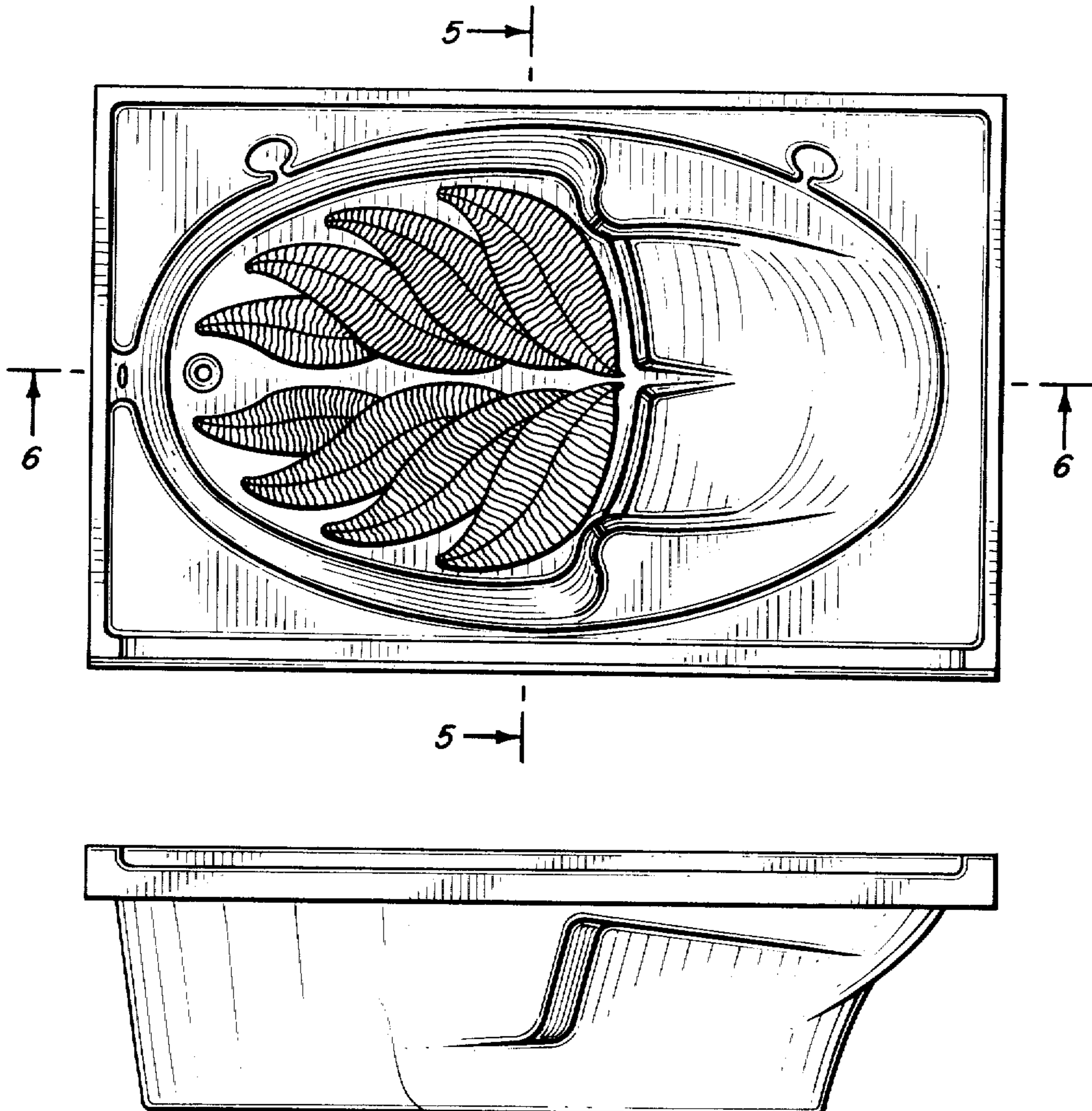


Fig. 1.

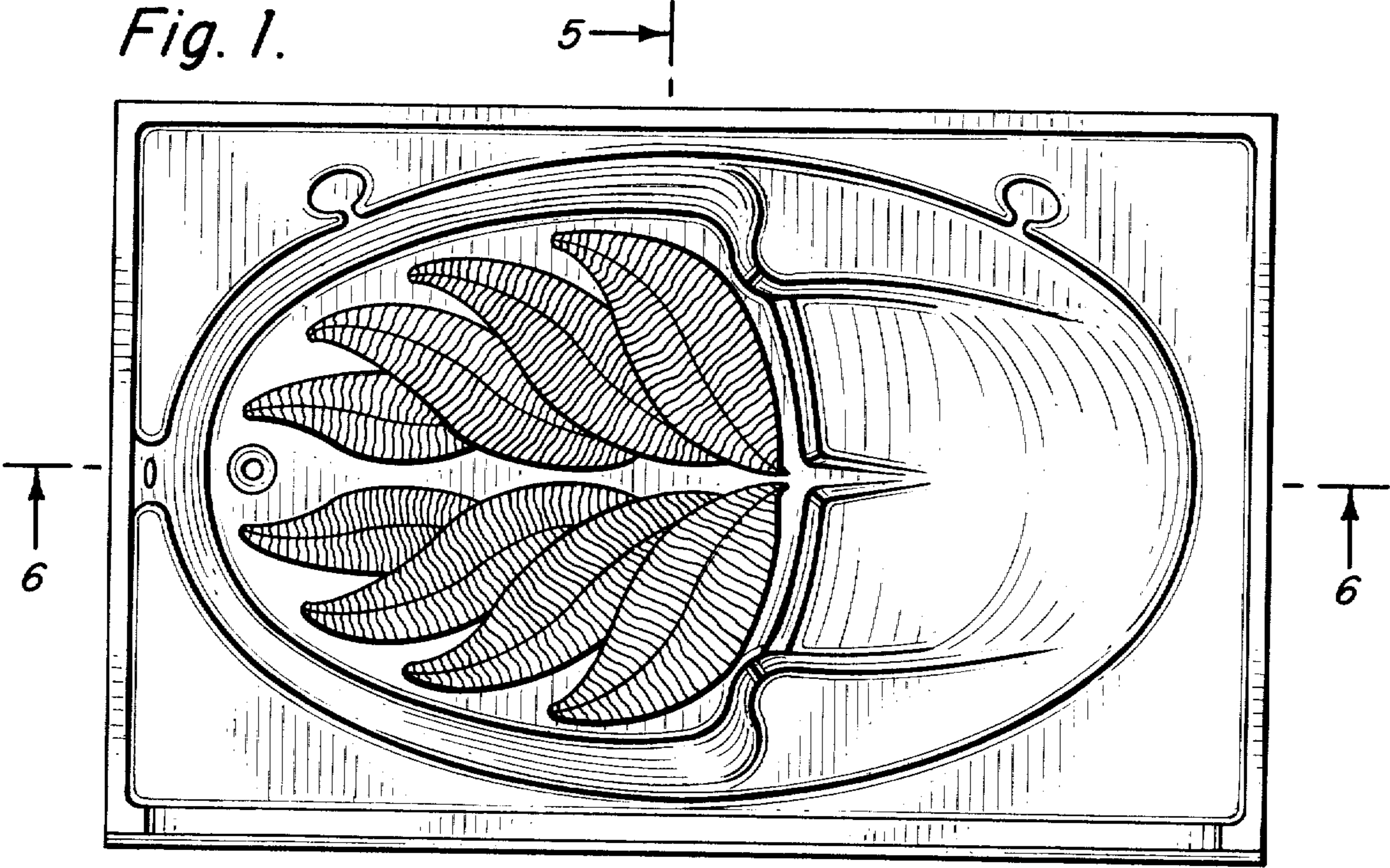


Fig. 2.

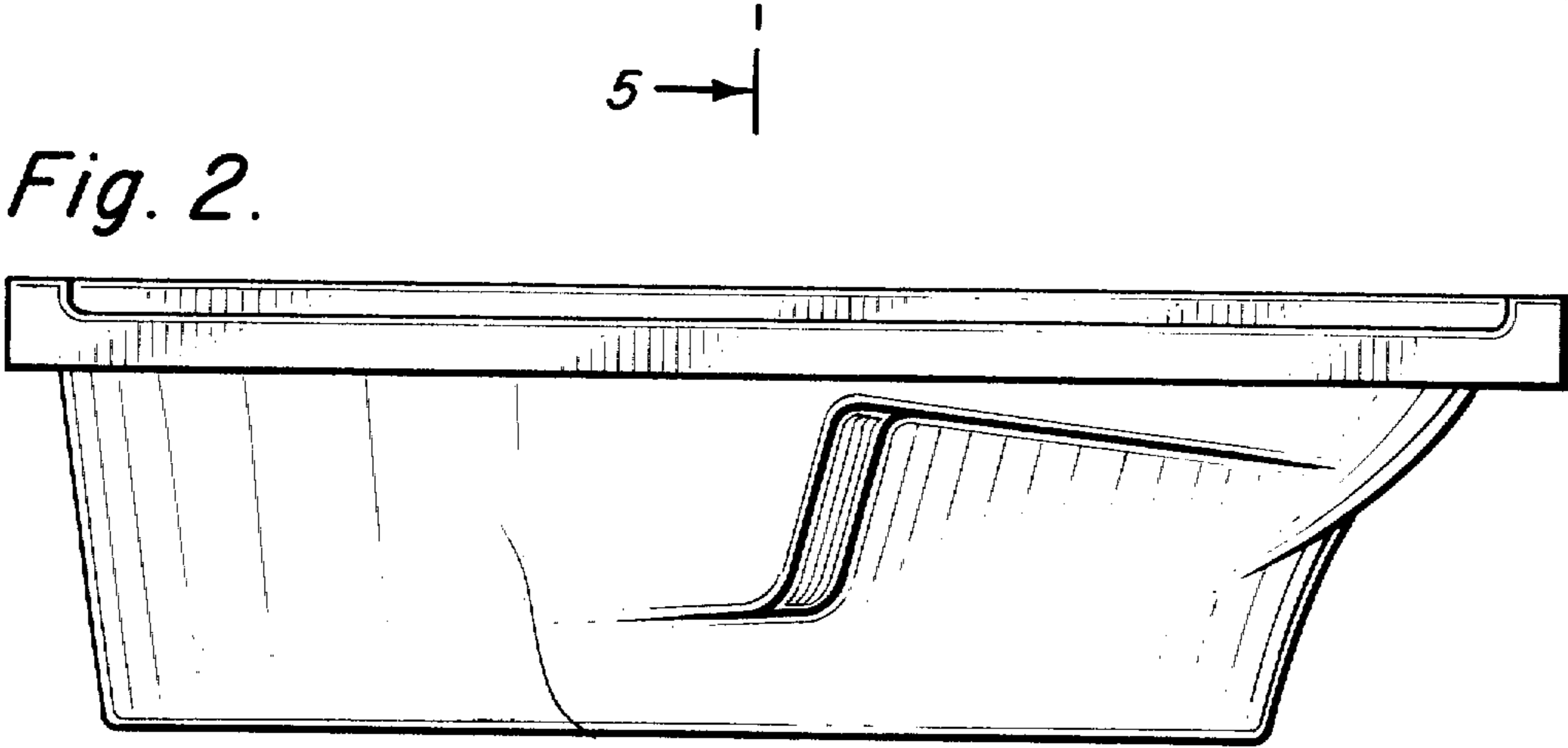


Fig. 3.

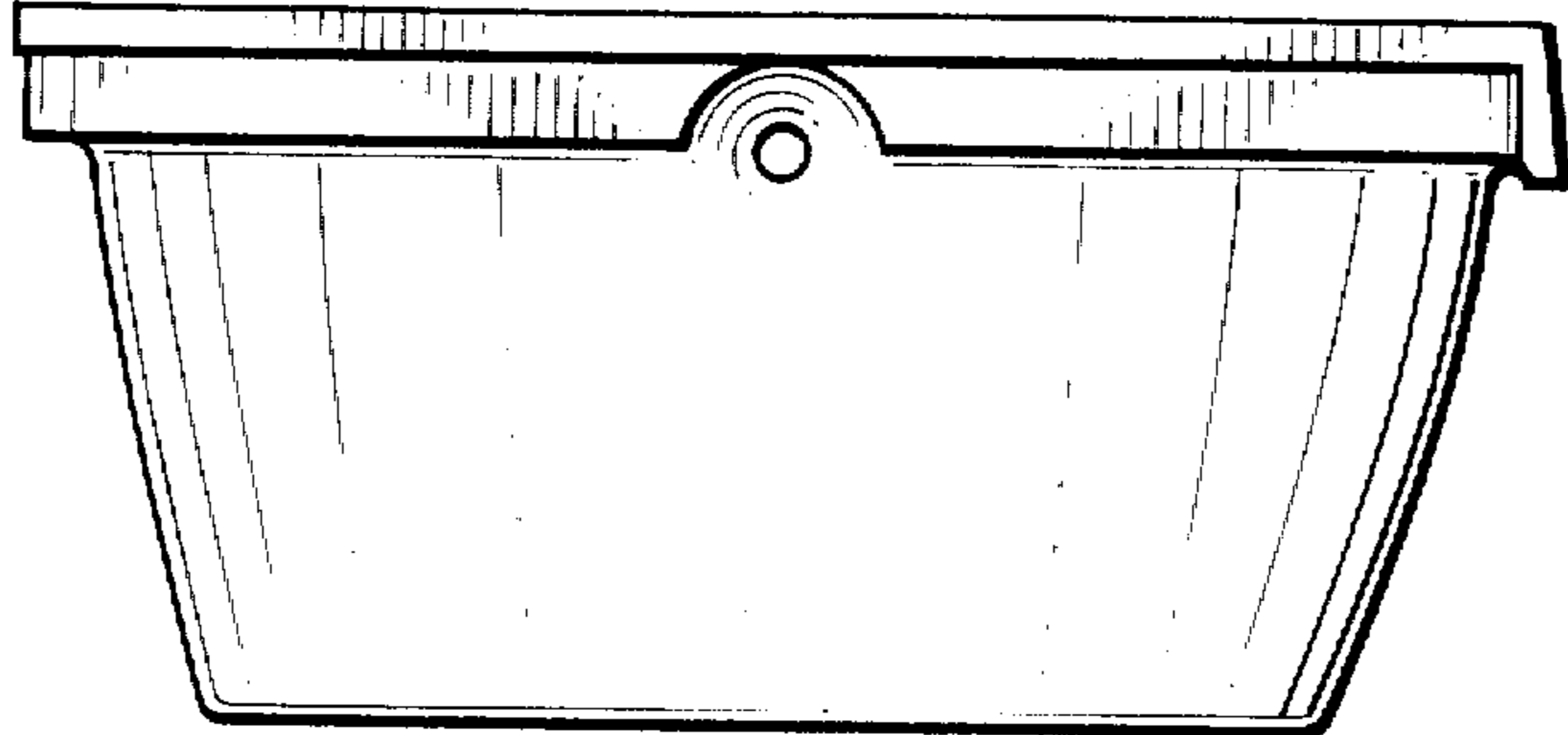


Fig. 4.

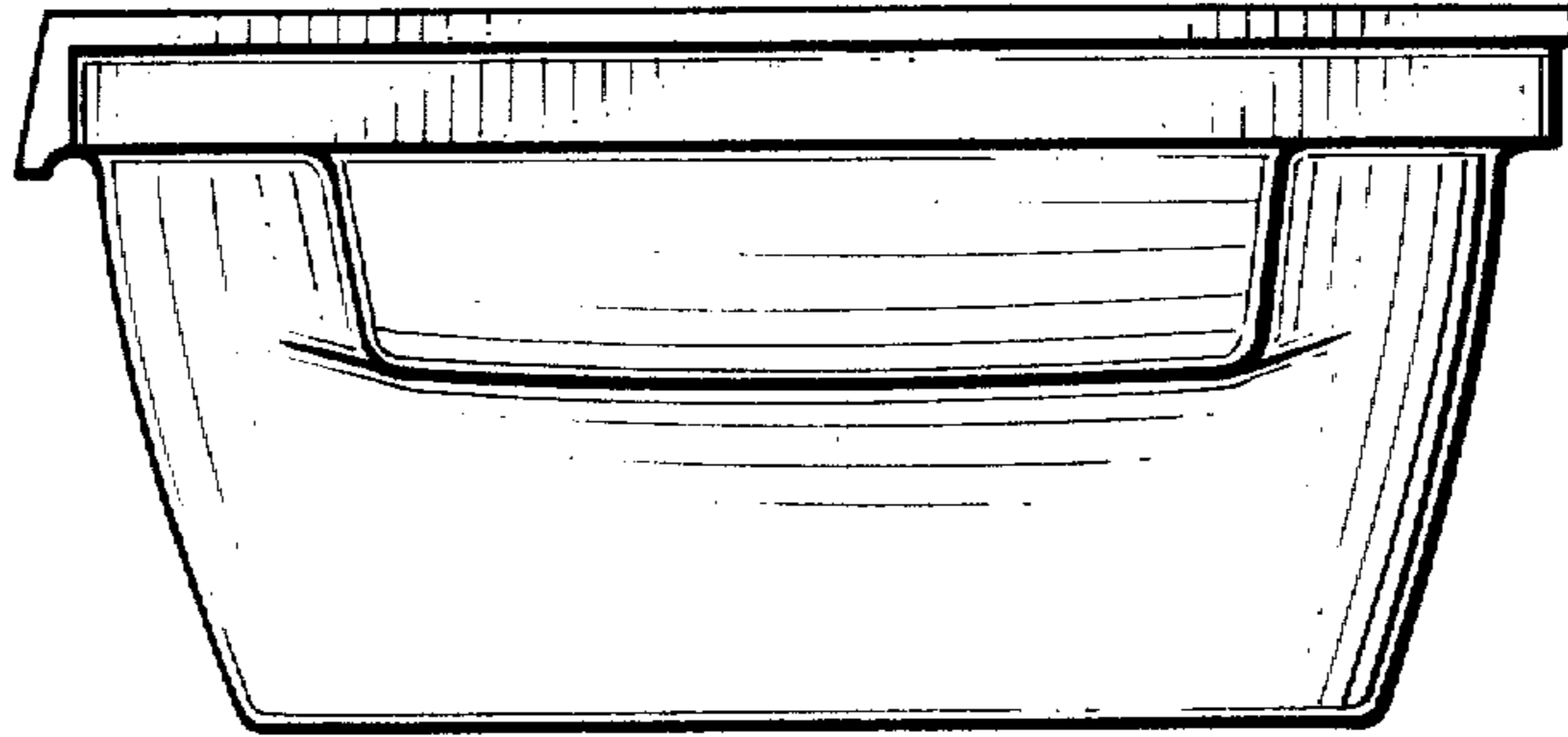


Fig. 5.

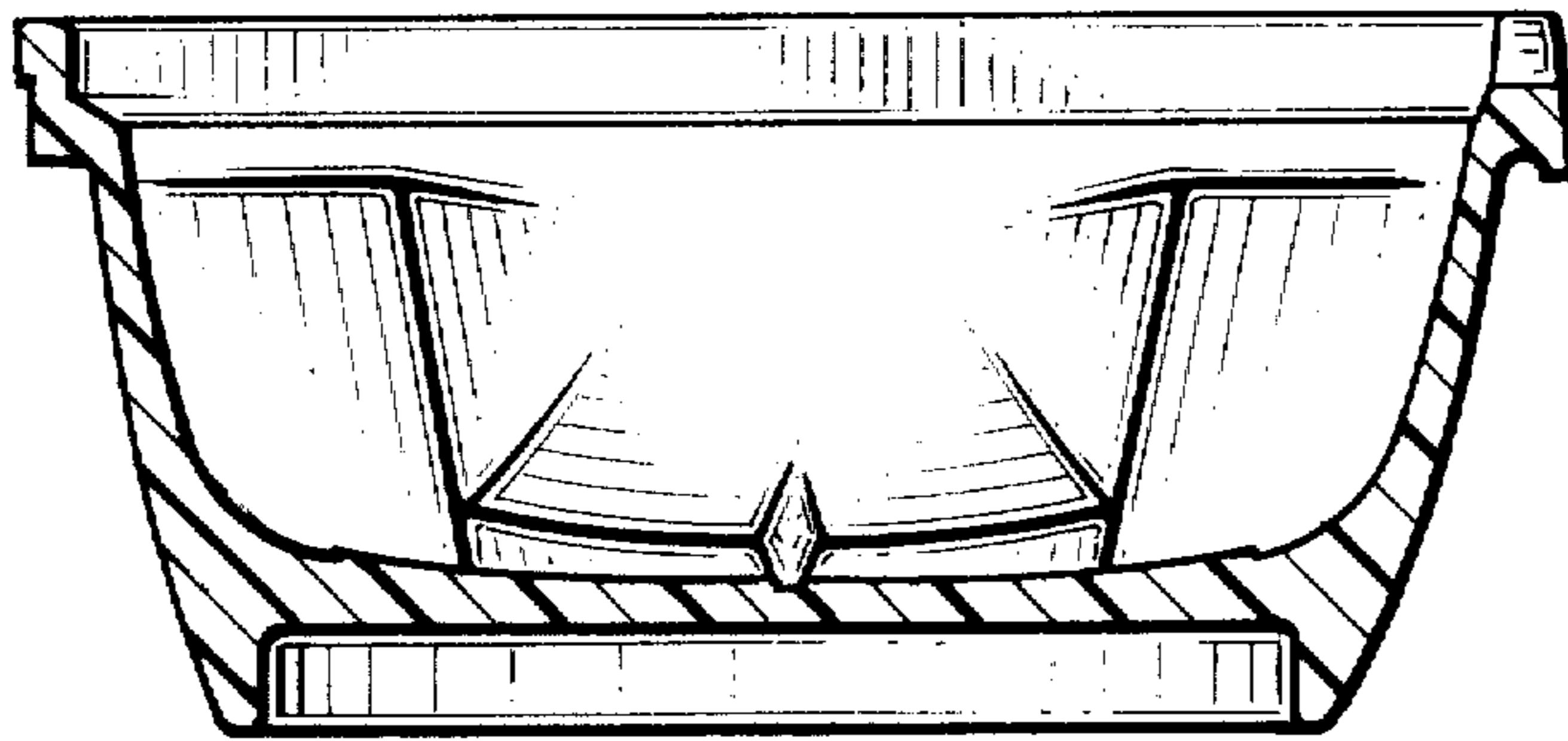


Fig. 6.

