

[54] BATTERY-POWERED PUMP

[76] Inventor: John S. Doyel, 404 W. 20th St., New York, N.Y. 10011

[**] Term: 14 Years

[21] Appl. No.: 606,776

[22] Filed: Aug. 22, 1975

[51] Int. Cl. D23-01

[52] U.S. Cl. D23/18

[58] Field of Search D23/17, 18, 34-39; 239/332, 333, 526; D65/1

[56] References Cited

U.S. PATENT DOCUMENTS

3,255,967	6/1966	Kenney	239/332 X
D. 186,731	11/1959	Zapolski	D23/18
D. 235,544	6/1975	Bippus et al.	D23/18

Primary Examiner—James R. Largen
Attorney, Agent, or Firm—Ivan S. Kavrukov

[57] CLAIM

The design for a battery-powered pump, as shown and described.

DESCRIPTION

FIG. 1 is a perspective view of a battery powered pump showing my new design; FIG. 2 is an exploded side elevational view thereof; FIG. 3 is an exploded front elevational view thereof; FIG. 4 is a top plan view of the pump portion thereof; FIG. 5 is a side elevational view of FIG. 4; FIG. 6 is a rear elevational view of FIG. 4; and FIG. 7 is a perspective view of the container portion thereof.

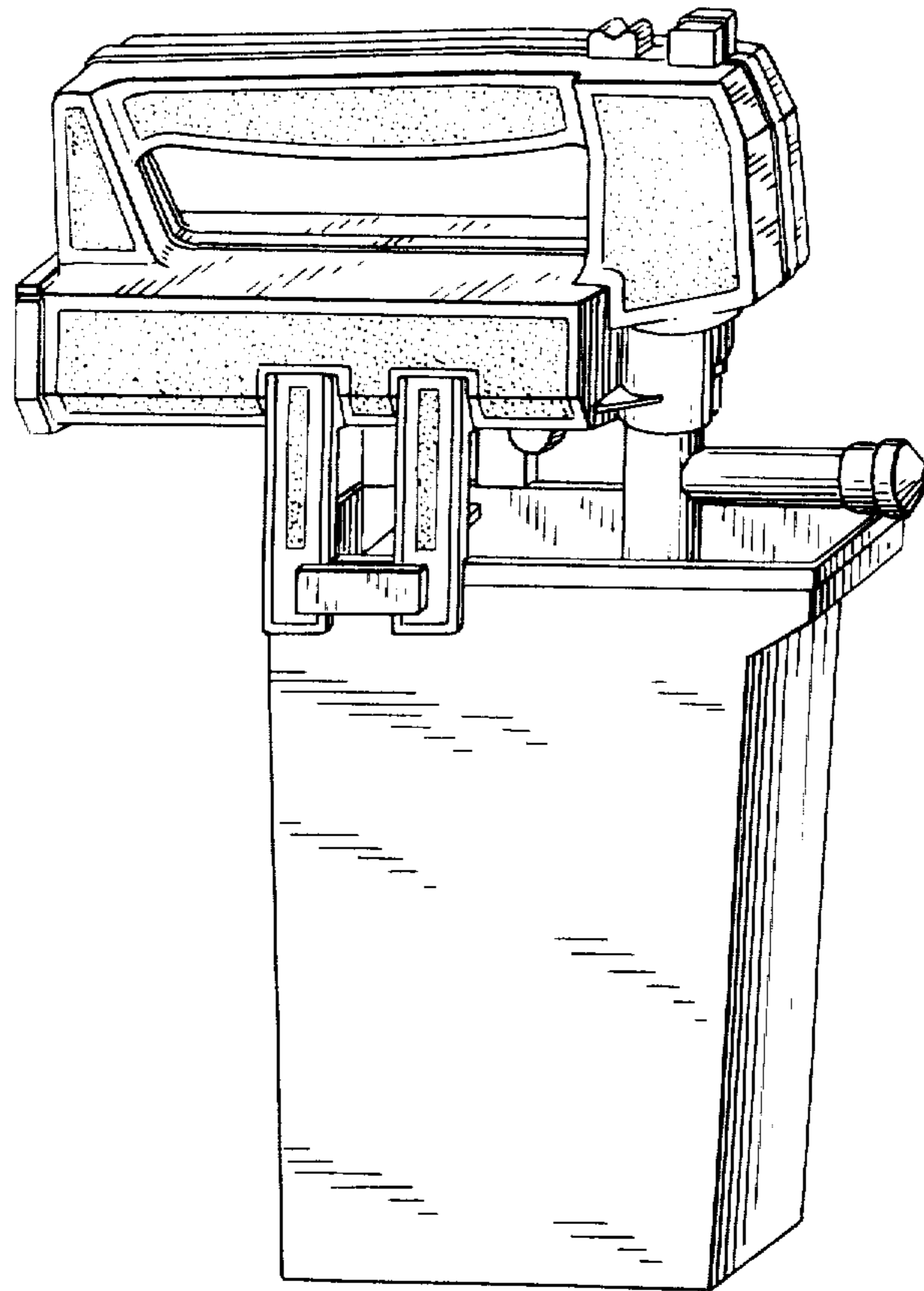


Fig. 1

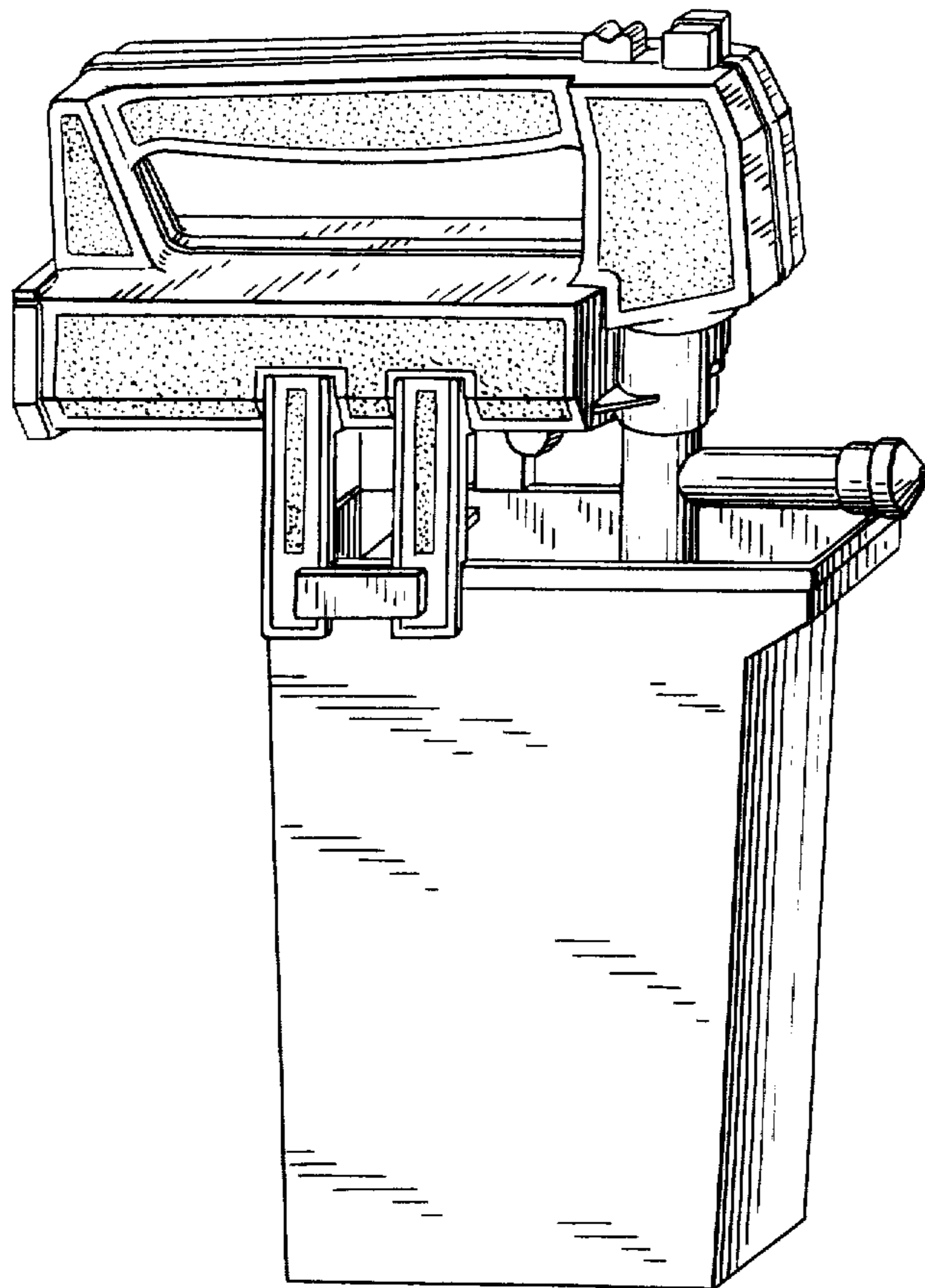


Fig. 2.

Fig. 3.

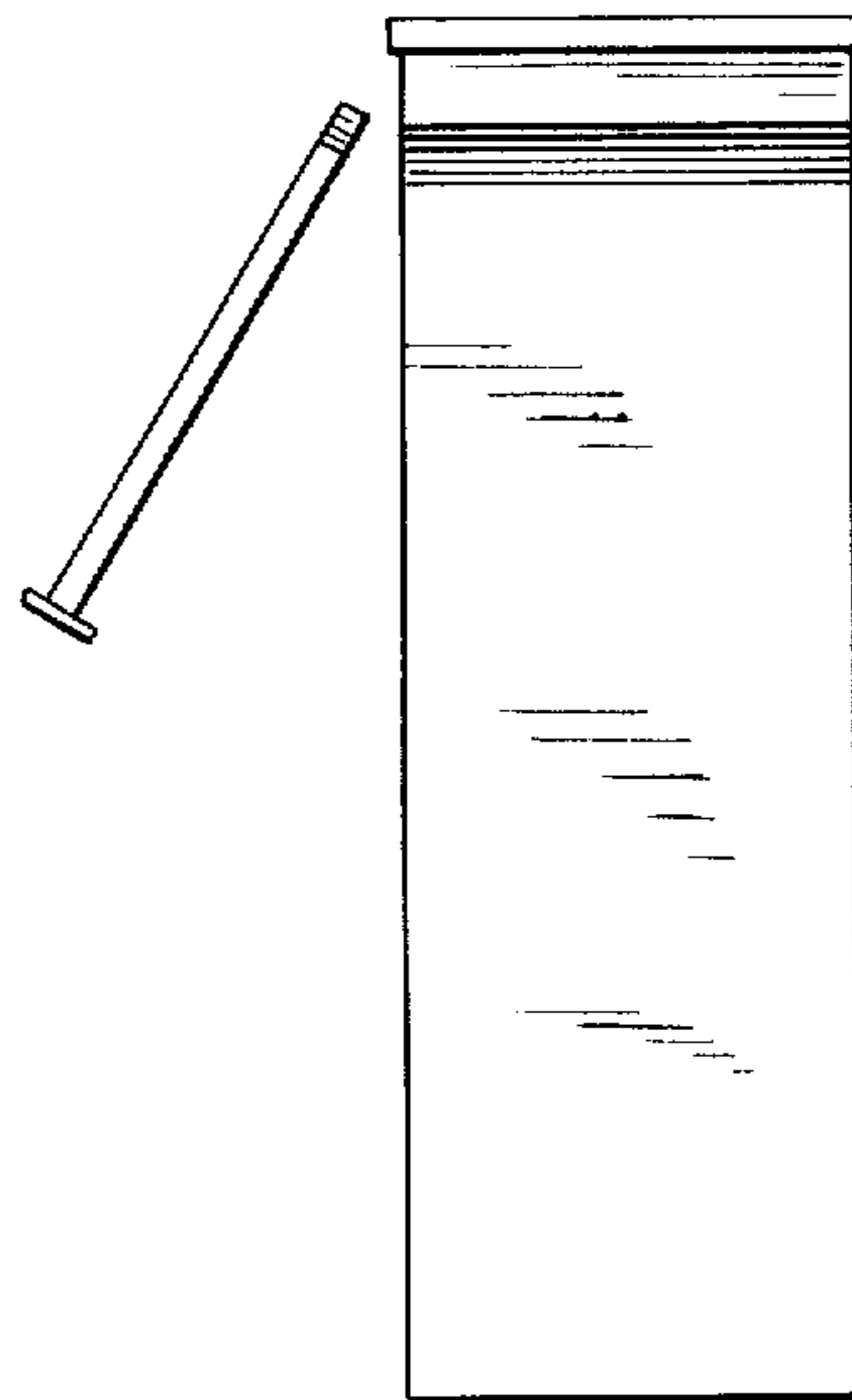
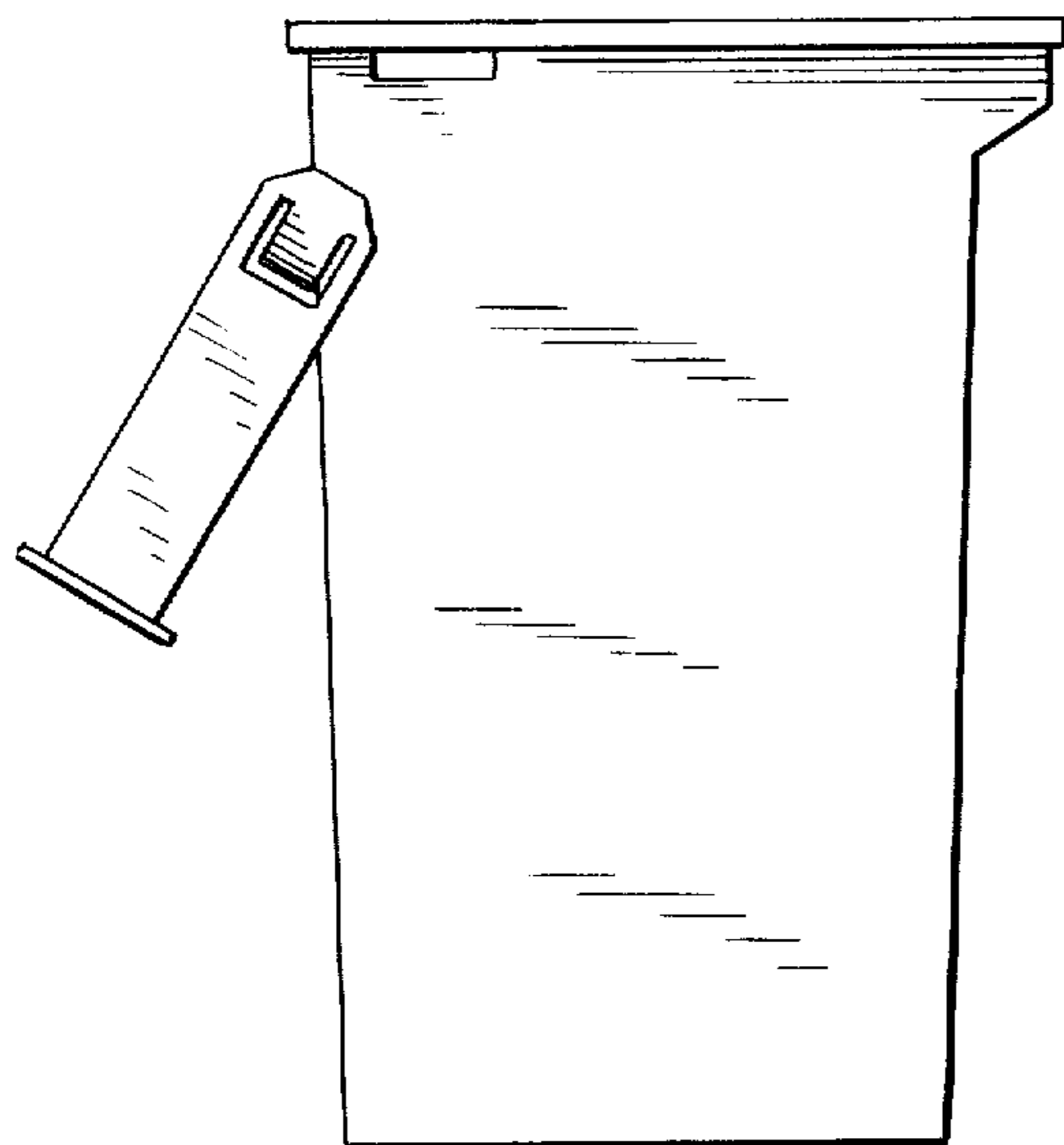
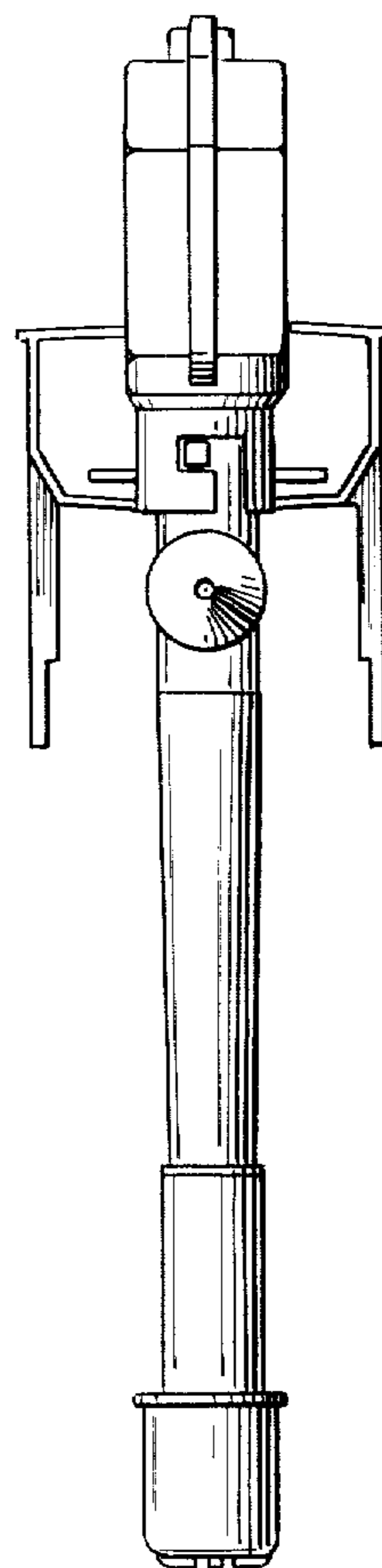
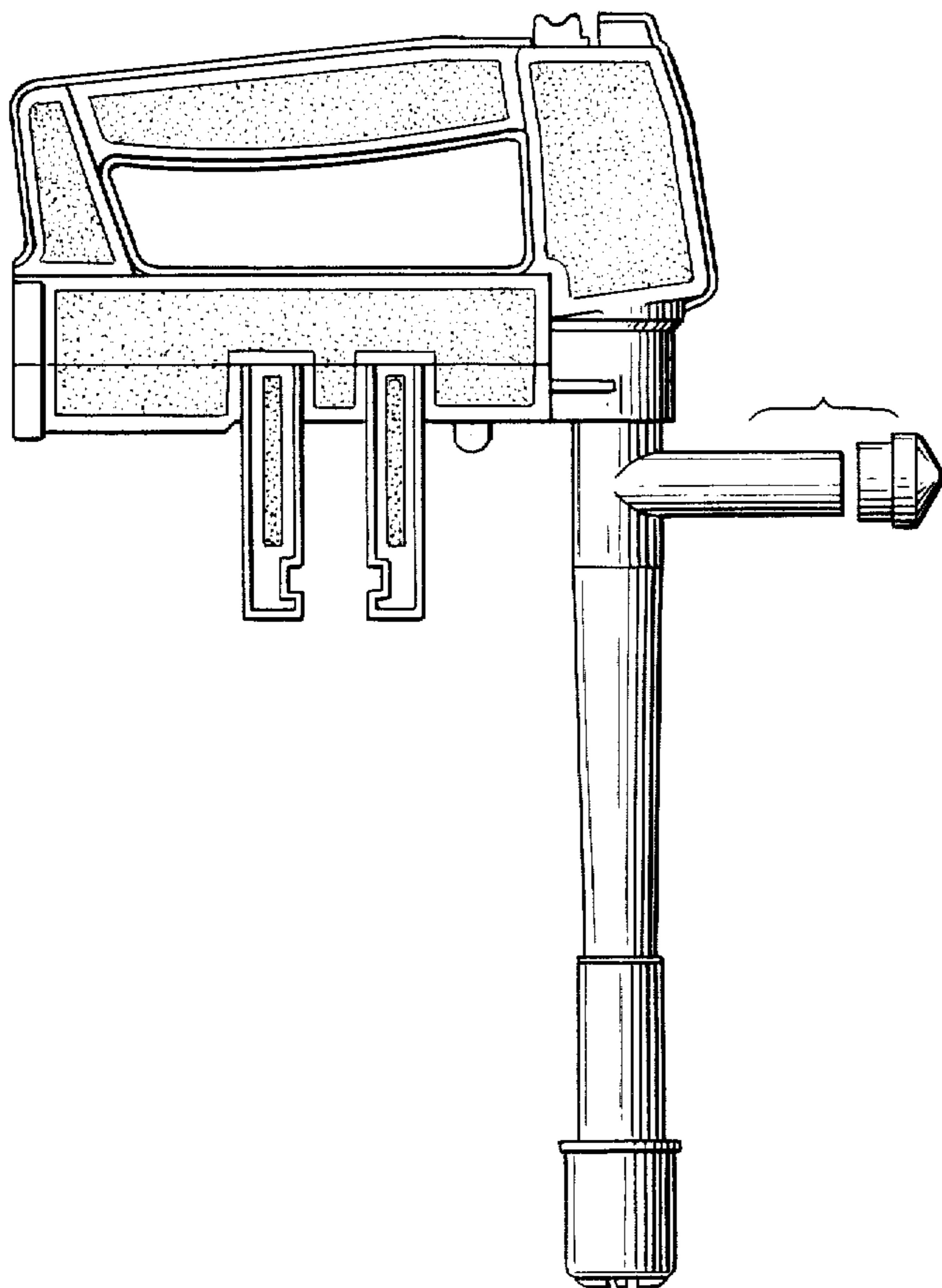


Fig. 4.

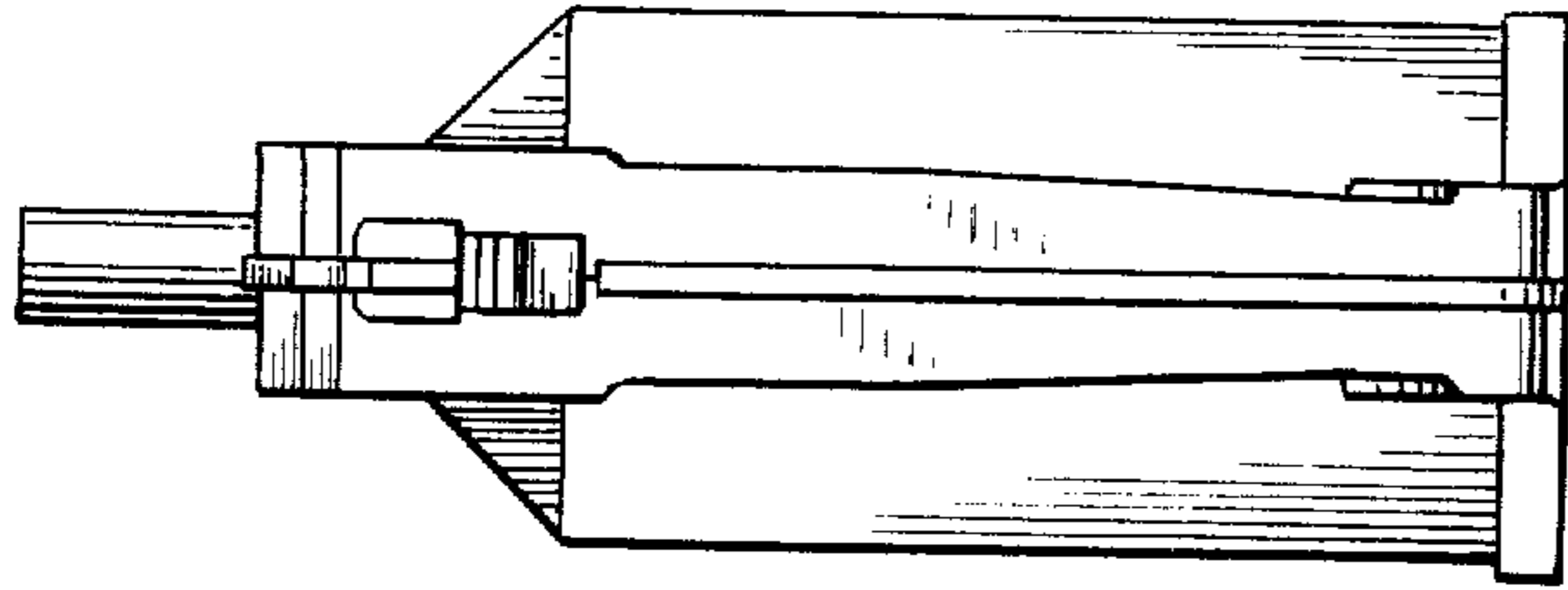


Fig. 6.

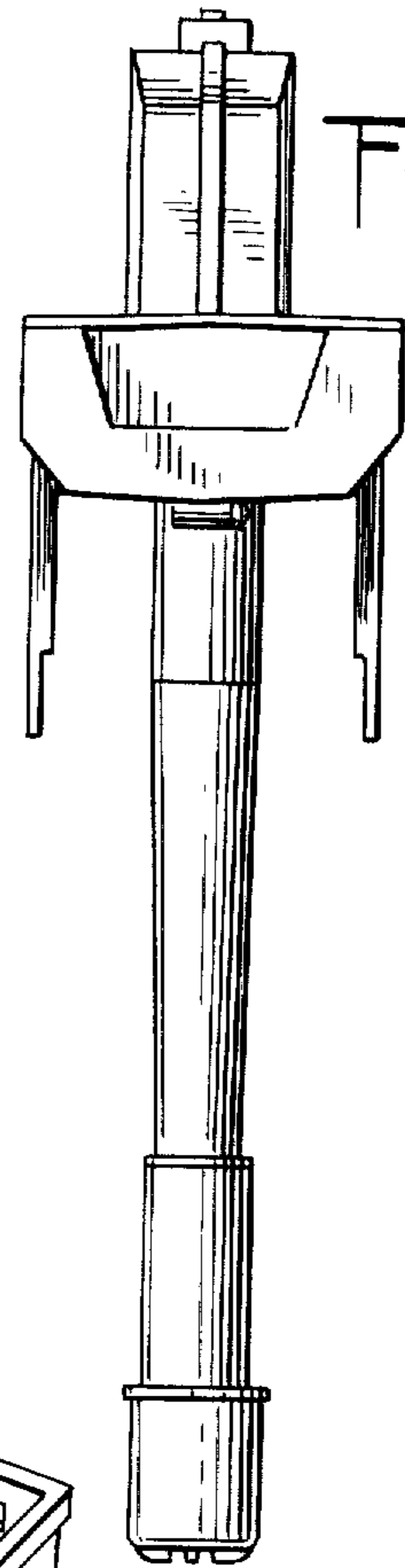


Fig. 5.

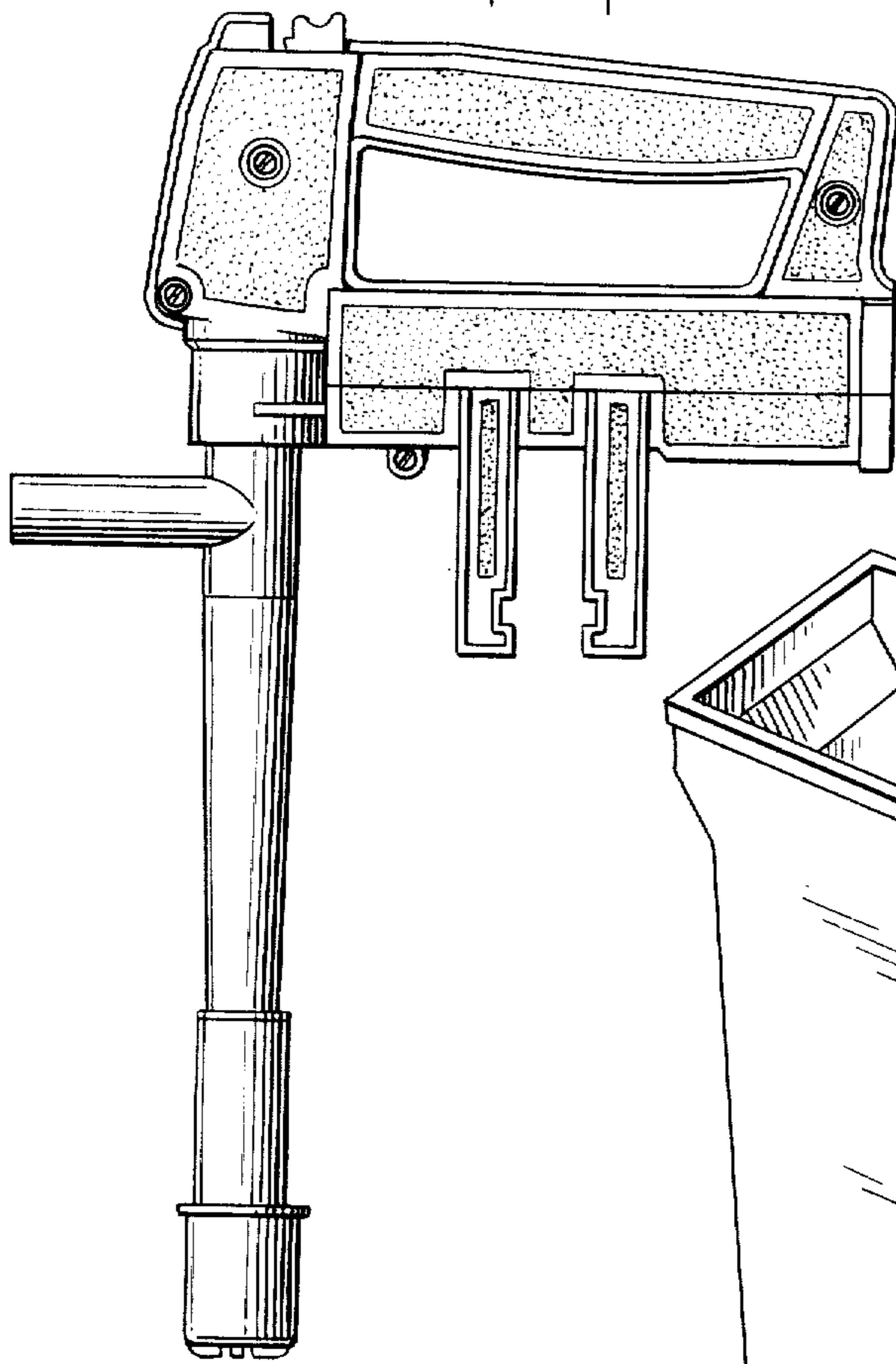


Fig. 7.

