

[54] SEWING MACHINE

[76] Inventor: Kazuo Ito, Seiwa-Ryo, 37 Hakuryu-cho, 1-chome, Mizuho, Nagoya, Aichi, Japan

[**] Term: 14 Years

[21] Appl. No.: 588,616

[22] Filed: June 19, 1975

[51] Int. Cl. D15-06

[52] U.S. Cl. D15/68

[58] Field of Search D70/1, 2 A

[56] References Cited

U.S. PATENT DOCUMENTS

D. 220,924	6/1971	Fresard et al.	D70/1
D. 221,308	7/1971	Grange	D70/1
D. 223,966	6/1972	Current	D70/1

Primary Examiner—Joel Stearman
Assistant Examiner—Josephine Lloyd
Attorney, Agent, or Firm—George B. Oujevolk

[57] CLAIM

The ornamental design for a sewing machine, as shown.

DESCRIPTION

FIG. 1 is a front elevational view of a sewing machine showing my new design; FIG. 2 is a rear elevational view; FIG. 3 is a top plan view; FIG. 4 is a bottom plan view; FIG. 5 is an end elevational view; FIG. 6 is an elevational view of the opposite end; FIG. 7 is a front perspective view of a sewing machine with the carrying handle in a raised position; and FIG. 8 is a front perspective view of a sewing machine with the separable part of the work bed in a completely removed position.

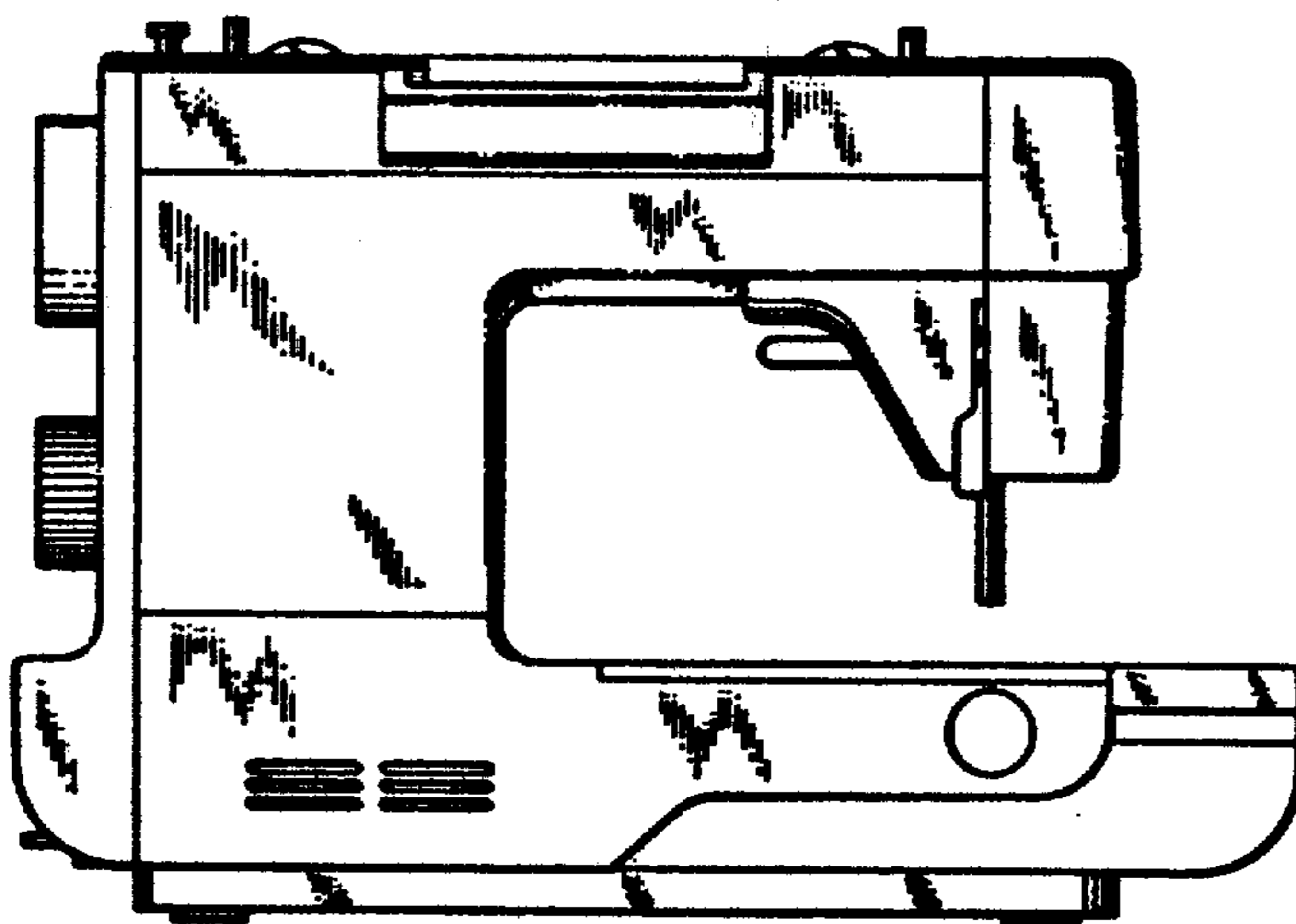
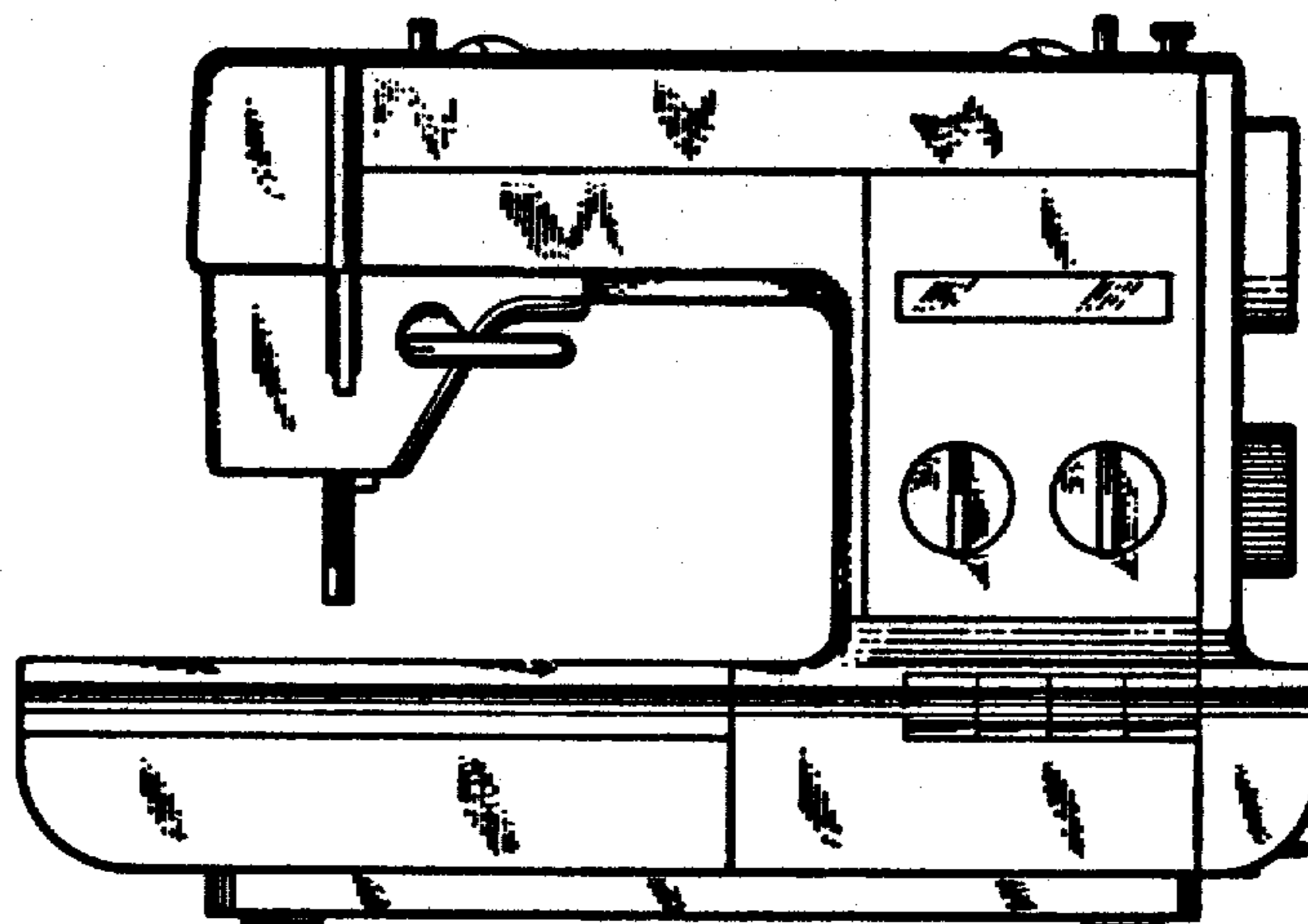


Fig 1

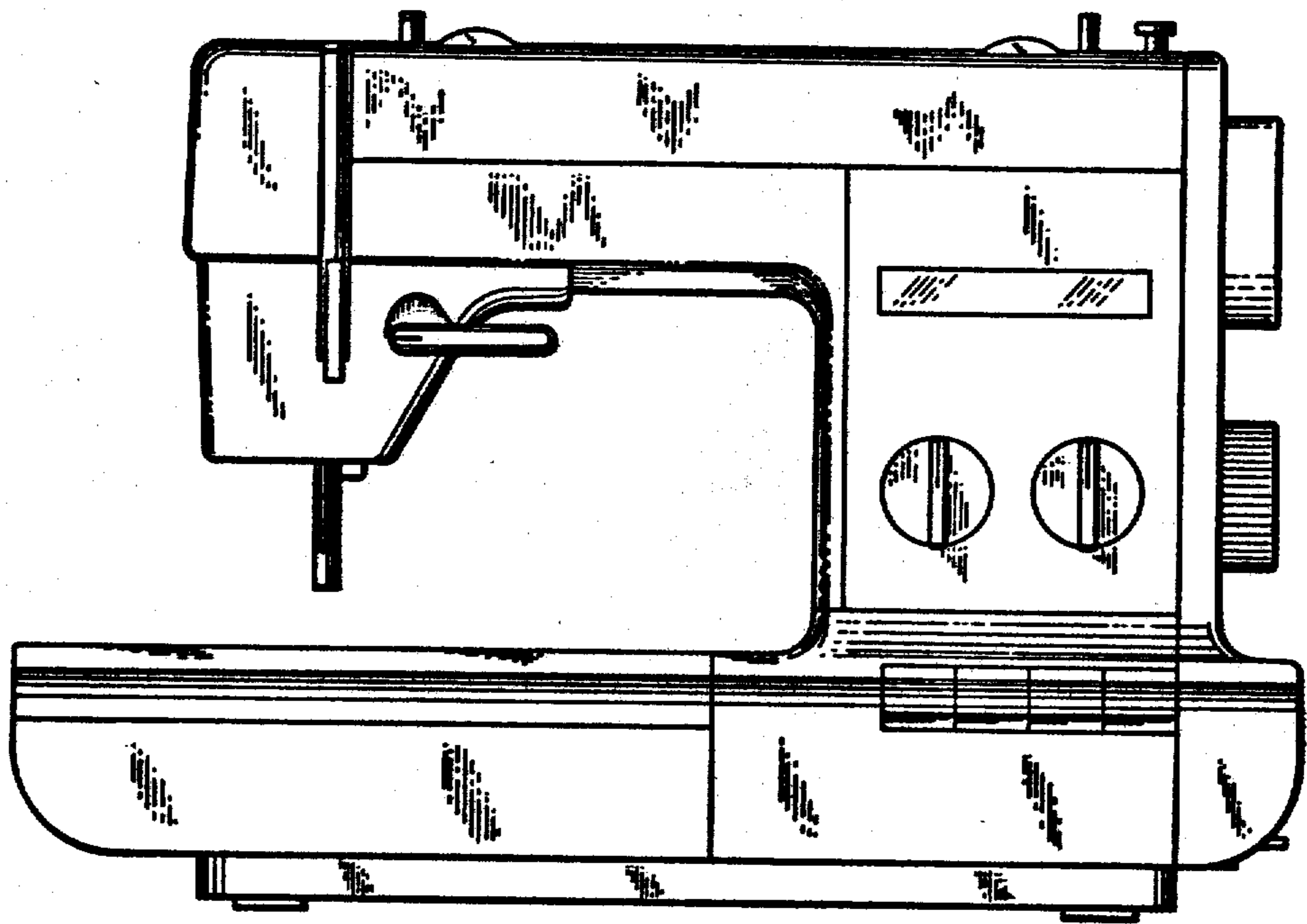


Fig 2

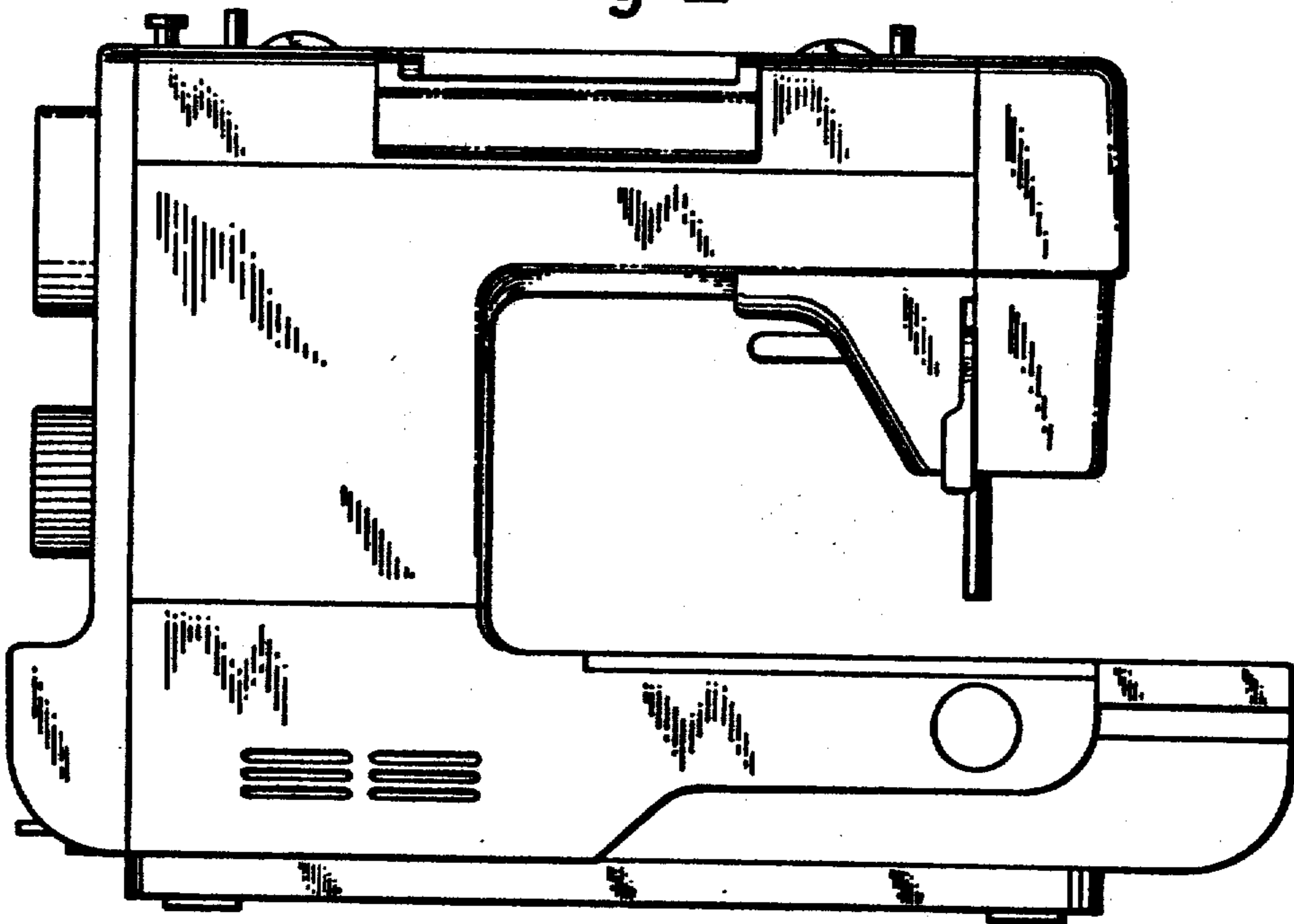


Fig 3

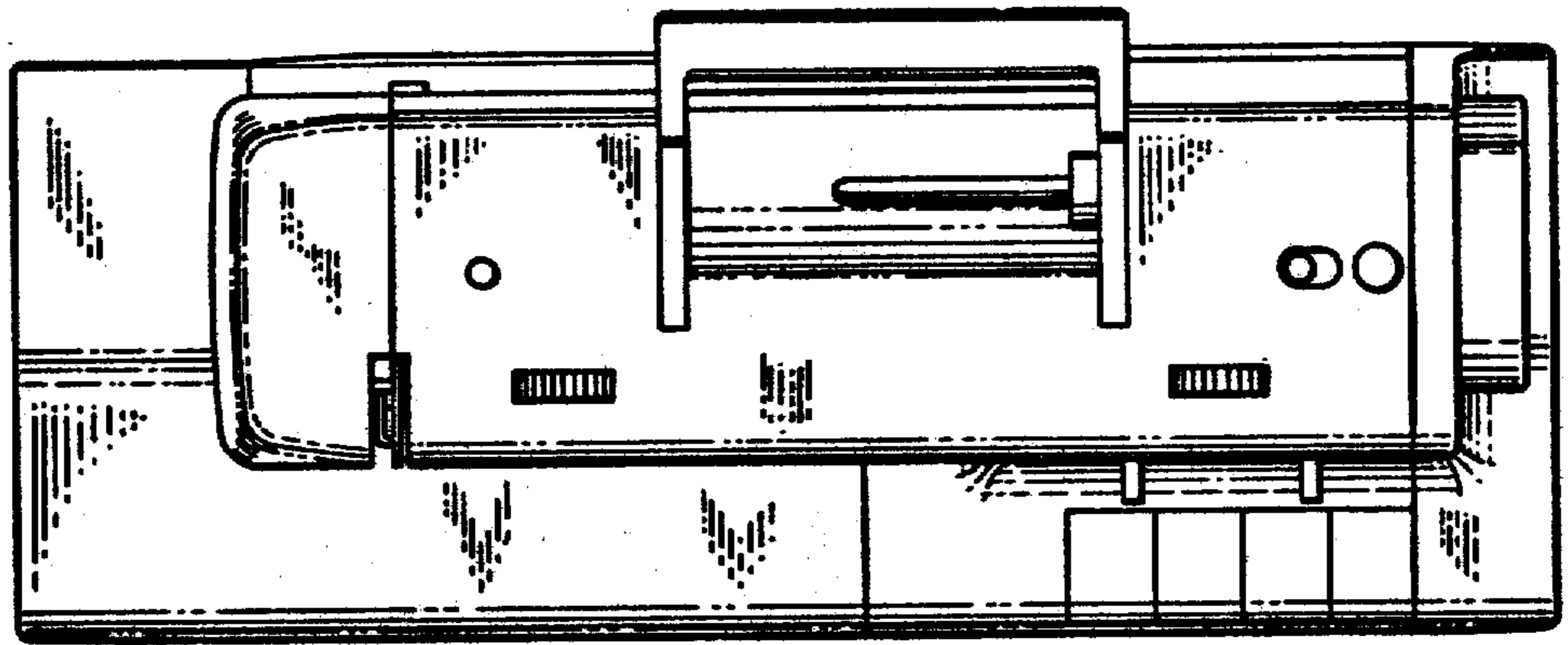


Fig 4

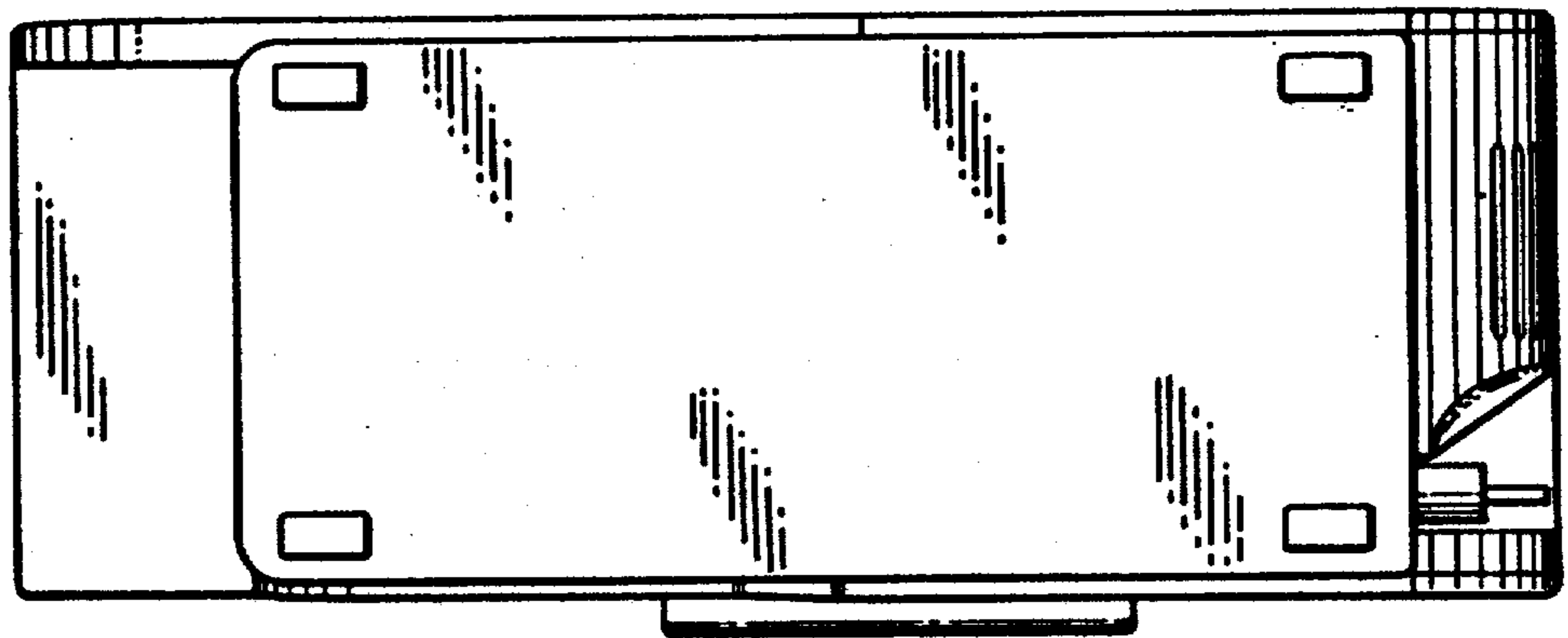


Fig 5

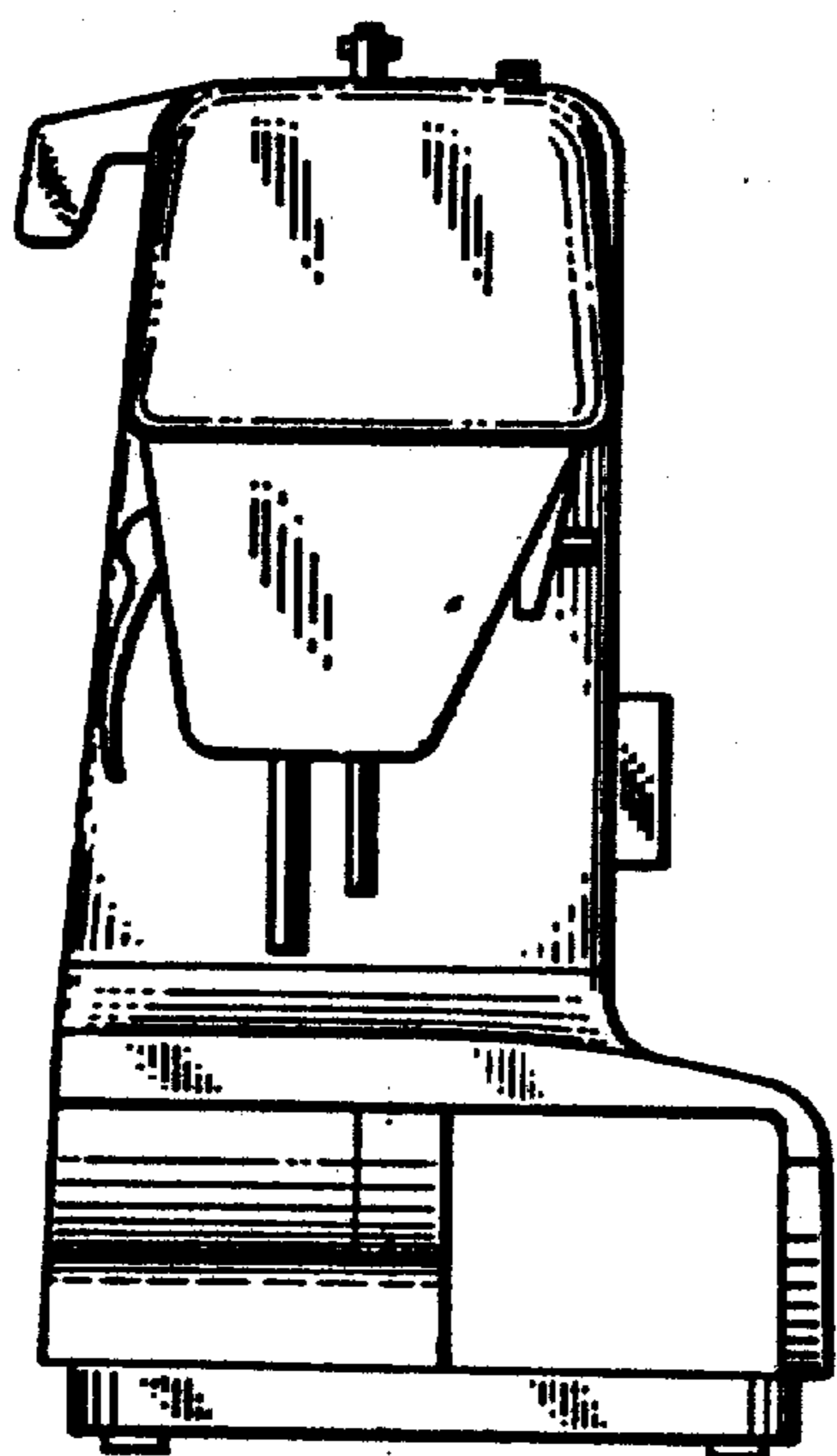
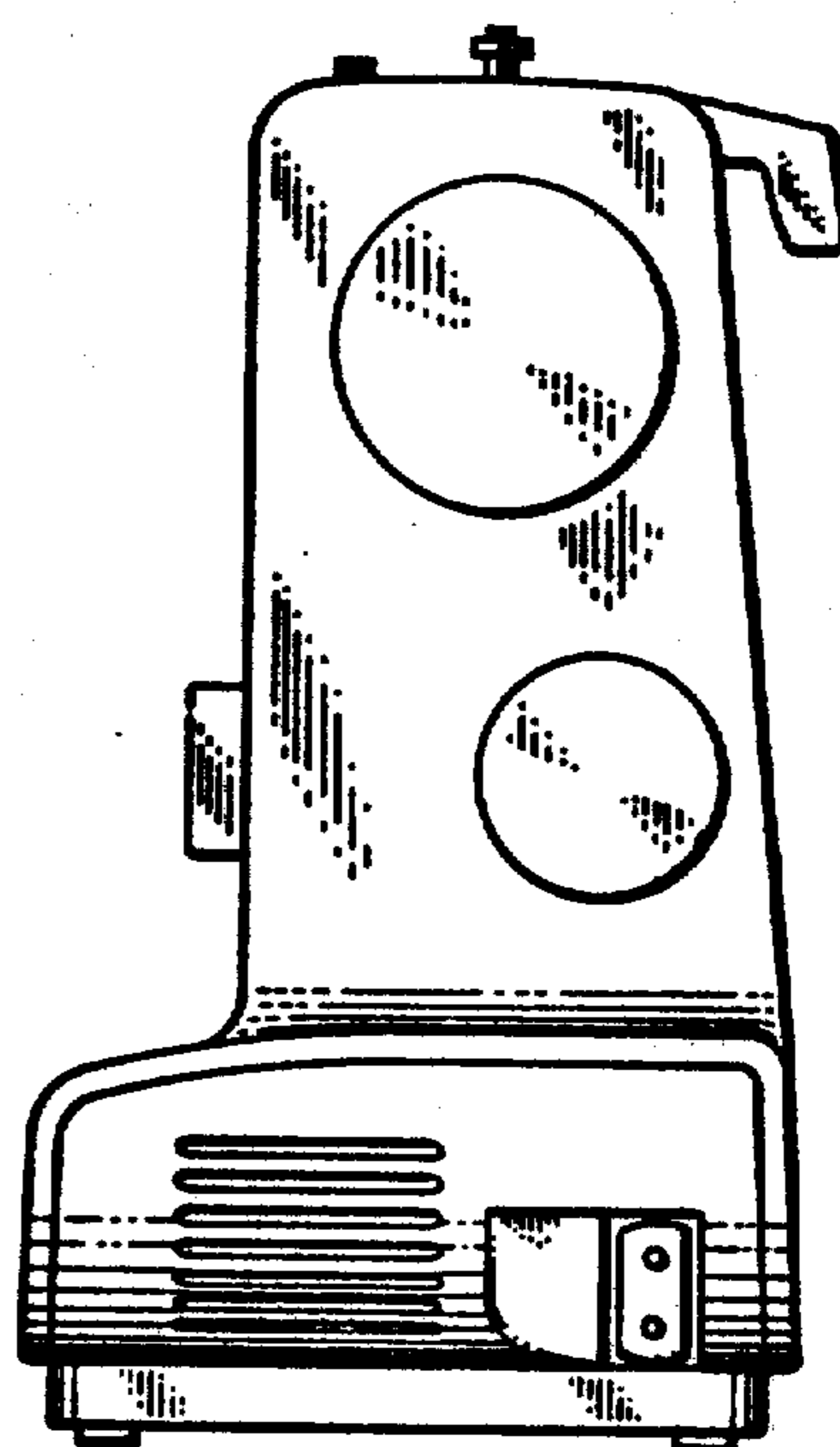


Fig 6



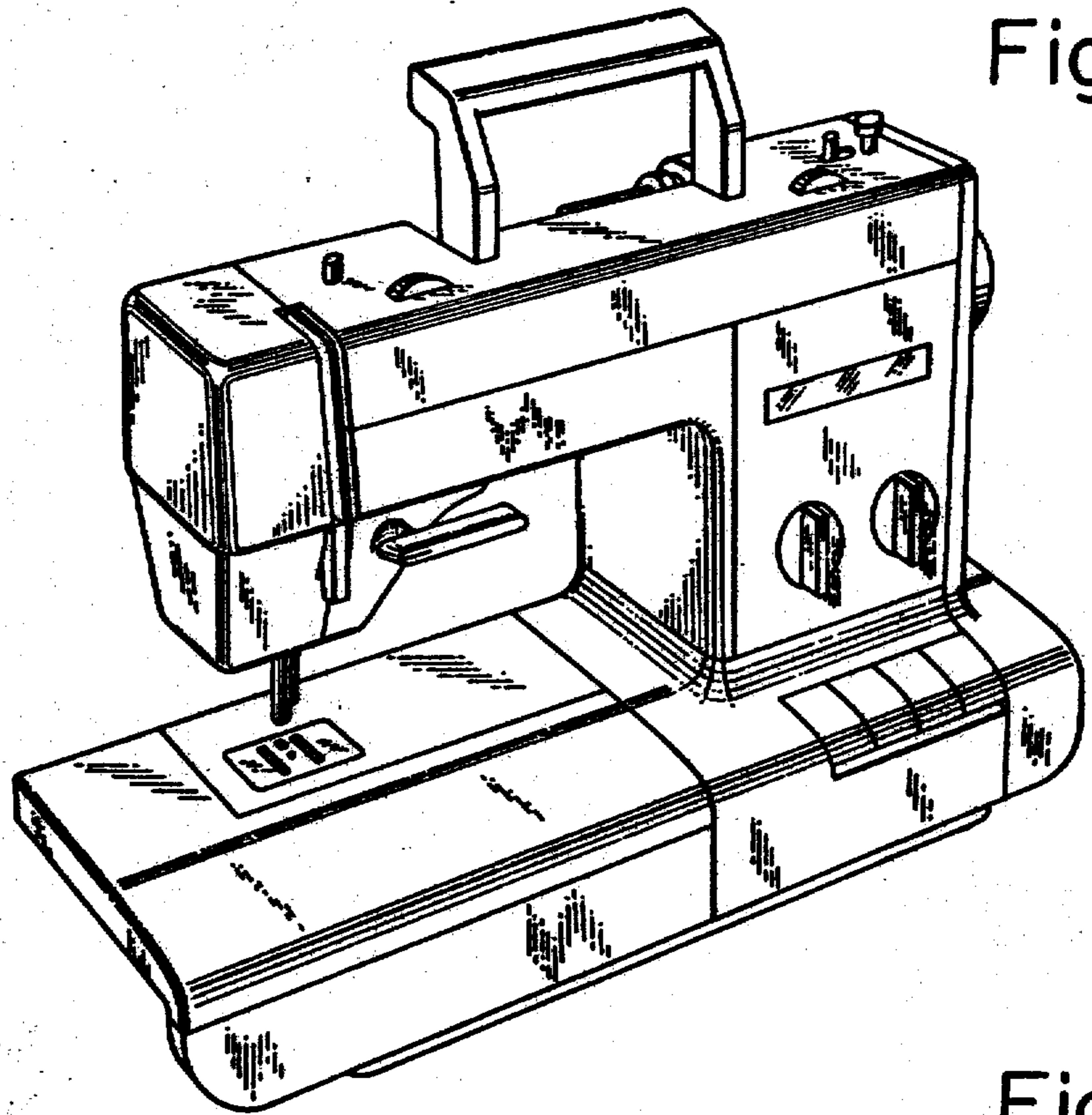


Fig 7

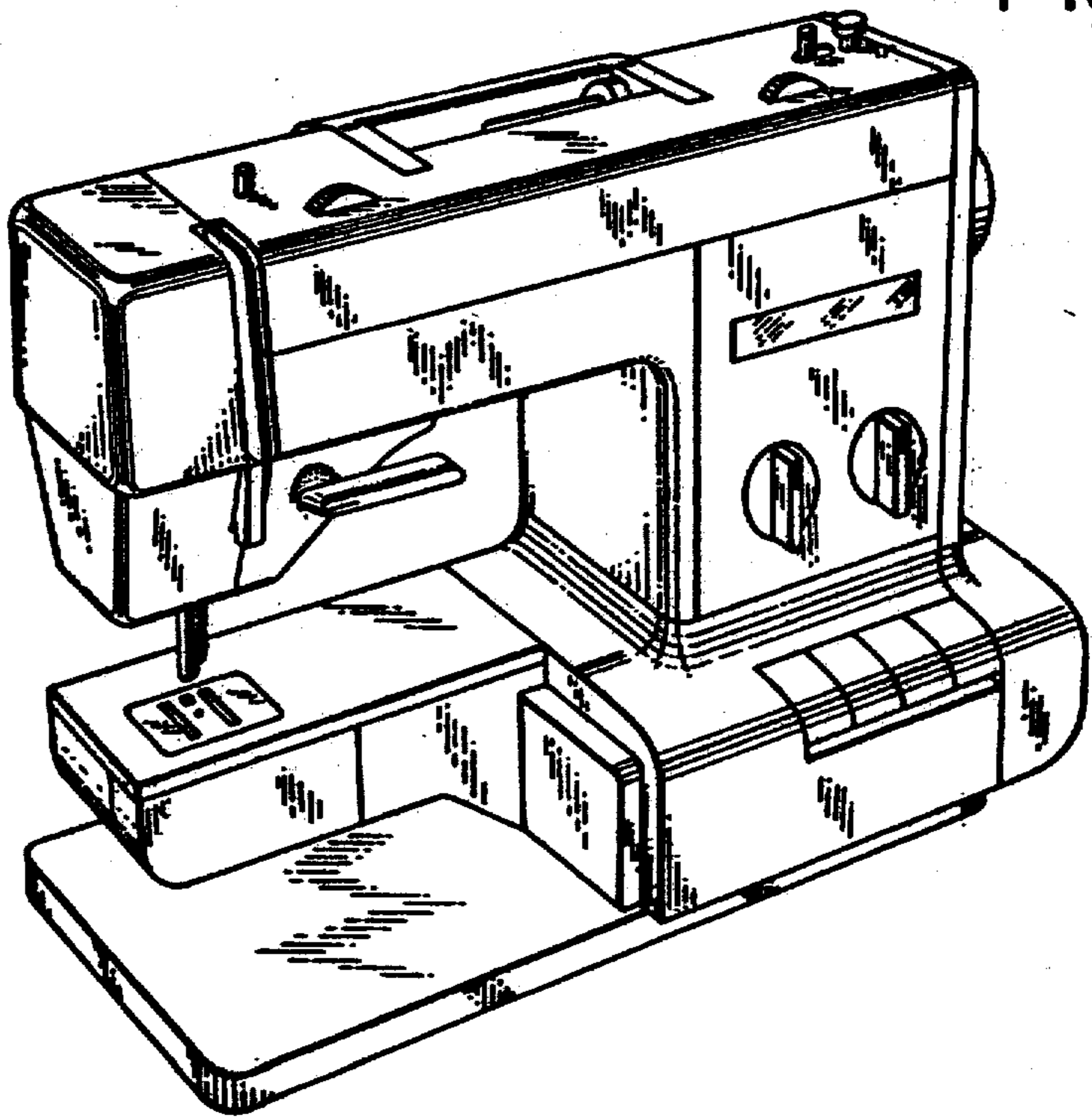


Fig 8

UNITED STATES PATENT OFFICE
CERTIFICATE OF CORRECTION

Patent No. Des. 243,686 Dated March 15, 1977

Inventor(s) Kazuo Ito

It is certified that error appears in the above-identified patent and that said Letters Patent are hereby corrected as shown below:

On the Cover Sheet, Item [73] Assignee: should read
---- Brother Kogyo Kabushiki Kaisha ----.

Item [307] should read ---January 7, 1975 Japan
1670 ----.

Signed and Sealed this
Twenty-first **Day of** June 1977

[SEAL]

Attest:

RUTH C. MASON
Attesting Officer

C. MARSHALL DANN
Commissioner of Patents and Trademarks