

[54] EXTRUDED SILL TRACK FOR A WINDOW

[76] Inventor: Raymond Dallaire, P.O. Box 220,
Levis, Quebec, Canada

[**] Term: 14 Years

[21] Appl. No.: 482,774

[22] Filed: June 24, 1974

[30] Foreign Application Priority Data

Dec. 28, 1973 Canada 45524

[51] Int. CL D25-01

[52] U.S. CL D25/74

[58] Field of Search D13/1 M, 6; 49/504,
49/419, DIG. 2; 52/206, 209, 211, 494, 498,
737, 720

[56] References Cited

U.S. PATENT DOCUMENTS

3,570,182	3/1971	Bakke	52/209 X
3,600,854	8/1971	Dallaire et al.	49/419 X
3,731,430	5/1973	Dallaire et al.	49/419

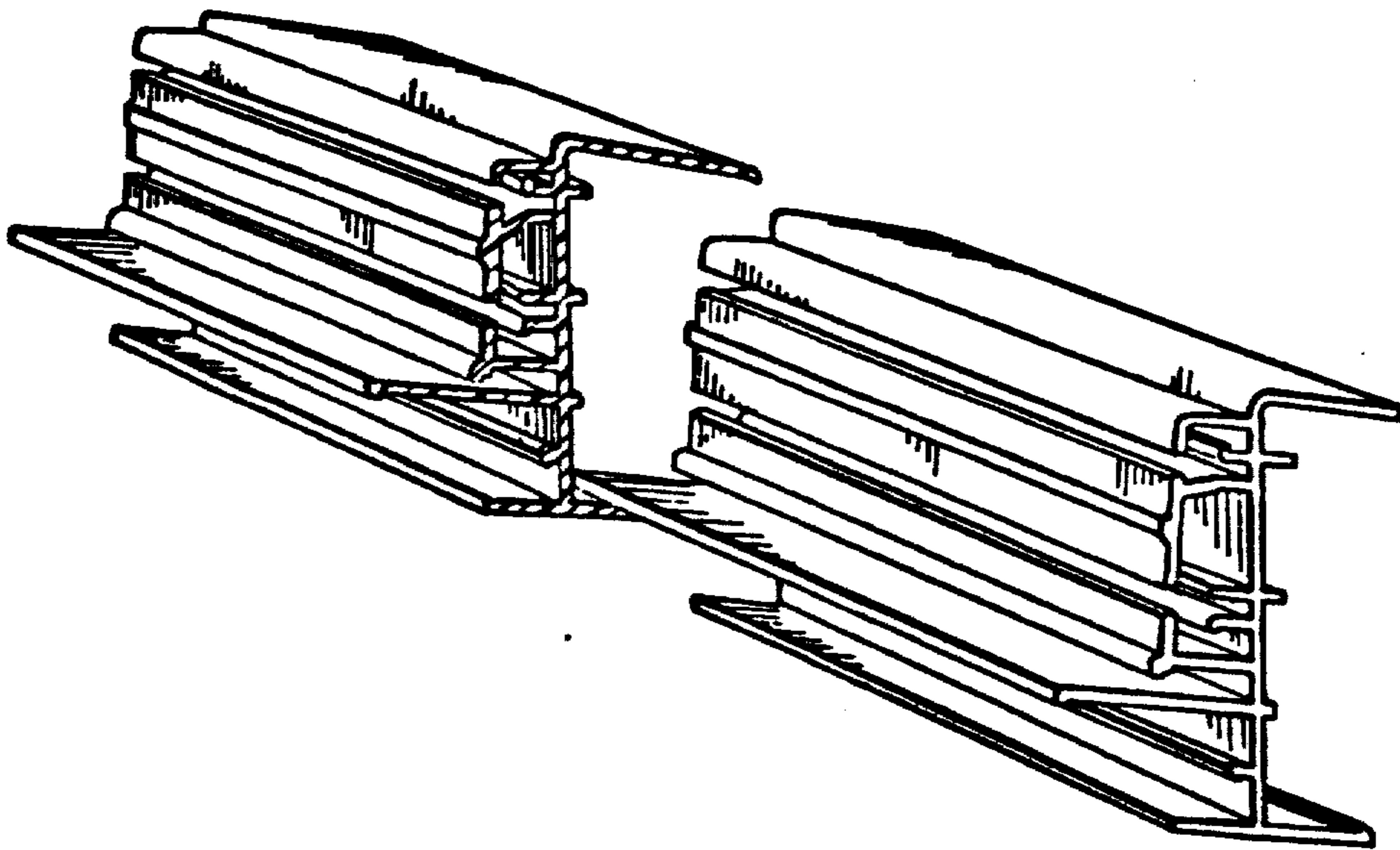
Primary Examiner—A. Hugo Word
Attorney, Agent, or Firm—John W. Malley

[57] CLAIM

The ornamental design for an extruded sill track for a window, as shown.

DESCRIPTION

FIG. 1 is a broken perspective of one side of an extruded sill track for a window, and FIG. 2 is a corresponding broken perspective from the opposite side of an extruded sill track for a window compared to FIG. 1.



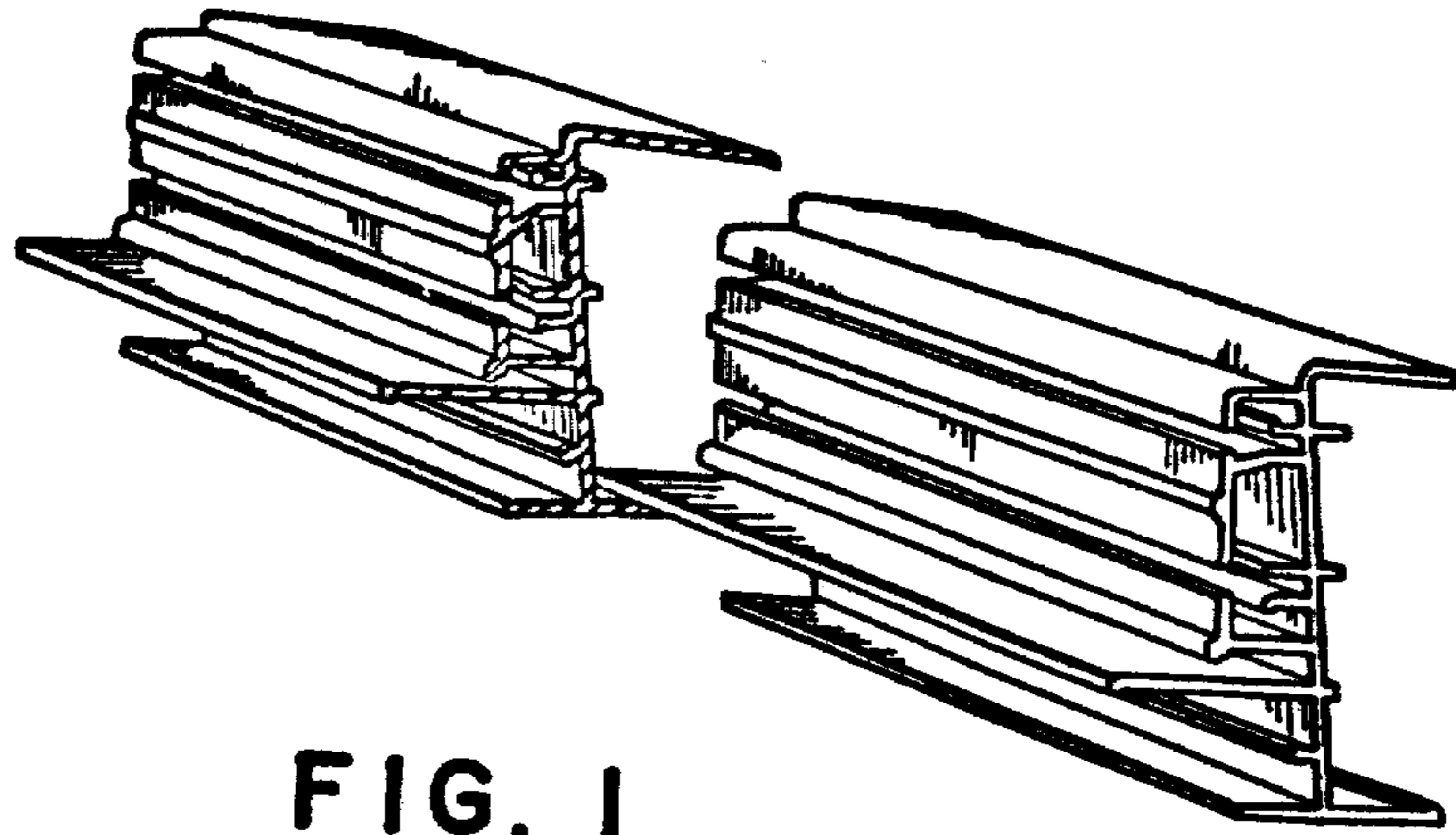


FIG. 1

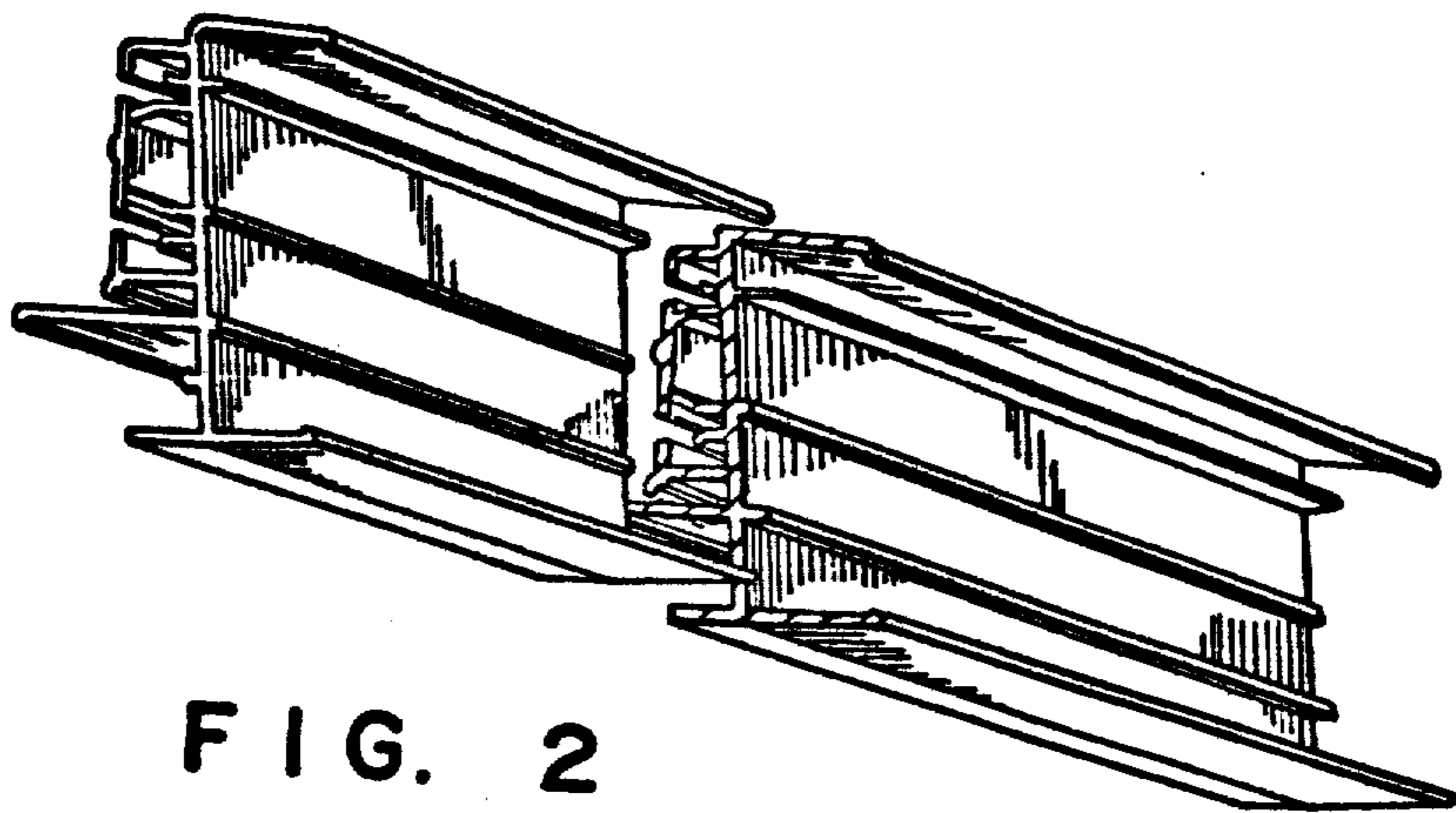


FIG. 2