

[54] **EXTRUDED SILL TRACK FOR A WINDOW**

[76] **Inventor:** Raymond Dallaire, P.O. Box 220,  
Levis, Quebec, Canada

[\*\*] **Term:** 14 Years

[21] **Appl. No.:** 482,773

[22] **Filed:** June 24, 1974

[30] **Foreign Application Priority Data**

Dec. 28, 1973 Canada ..... 45525

[51] **Int. Cl.** ..... D25-01

[52] **U.S. Cl.** ..... D25/74

[58] **Field of Search** ..... D13/1 M, 6; 49/504,  
49/419, DIG. 2; 52/206, 209, 211, 498, 494,  
737, 720

[56]

**References Cited**

**U.S. PATENT DOCUMENTS**

3,570,182 3/1971 Bakke ..... 52/209 X  
3,600,854 8/1971 Dallaire et al. .... 49/419 X  
3,731,430 5/1973 Dallaire et al. .... 49/419

*Primary Examiner*—A. Hugo Word

*Attorney, Agent, or Firm*—John W. Malley

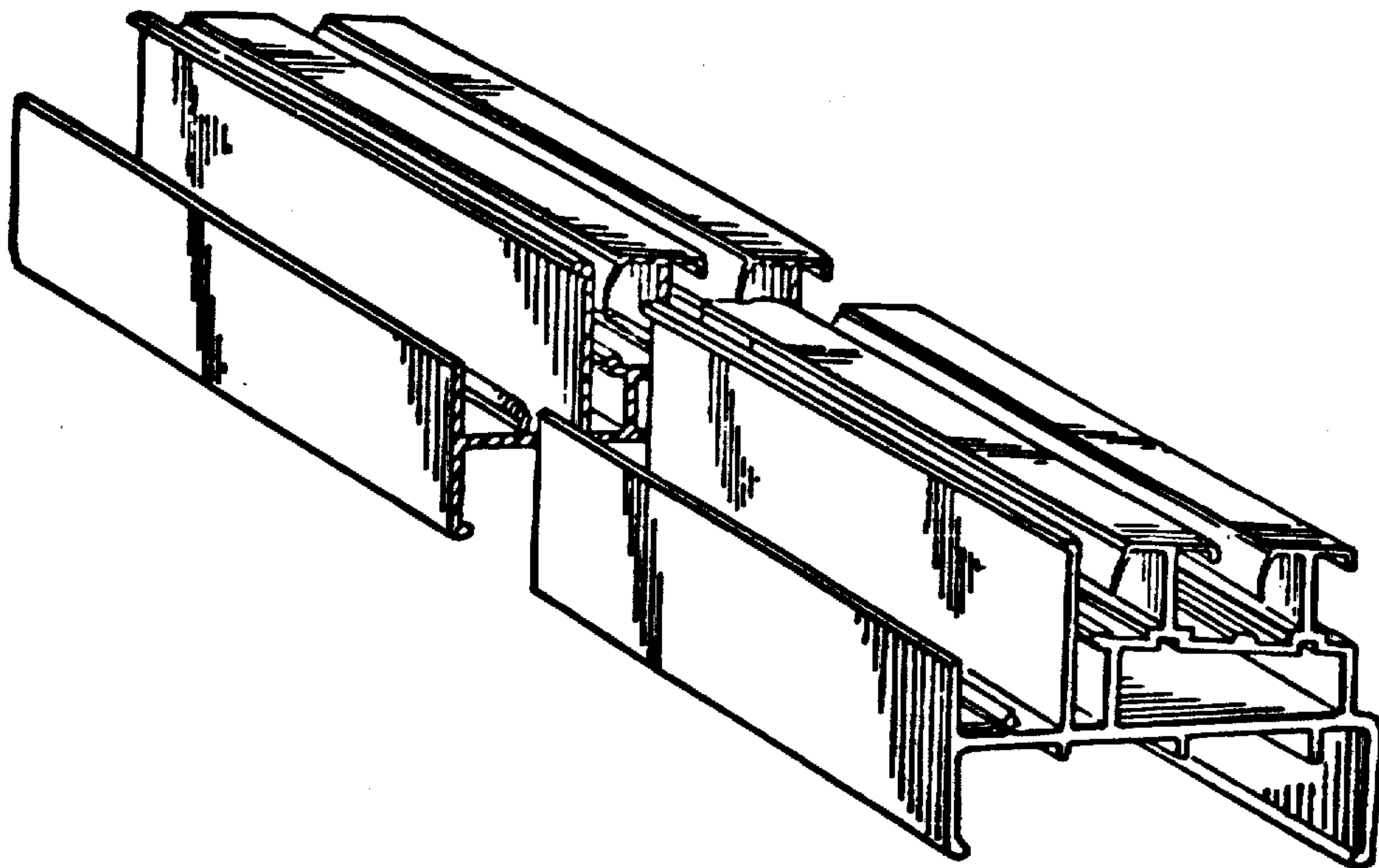
[57]

**CLAIM**

The ornamental design for an extruded sill track for a window, as shown.

**DESCRIPTION**

FIG. 1 is a broken perspective of one side of an extruded sill track for a window, and FIG. 2 is a corresponding broken perspective from the opposite side of an extruded sill track for a window compared to FIG. 1.



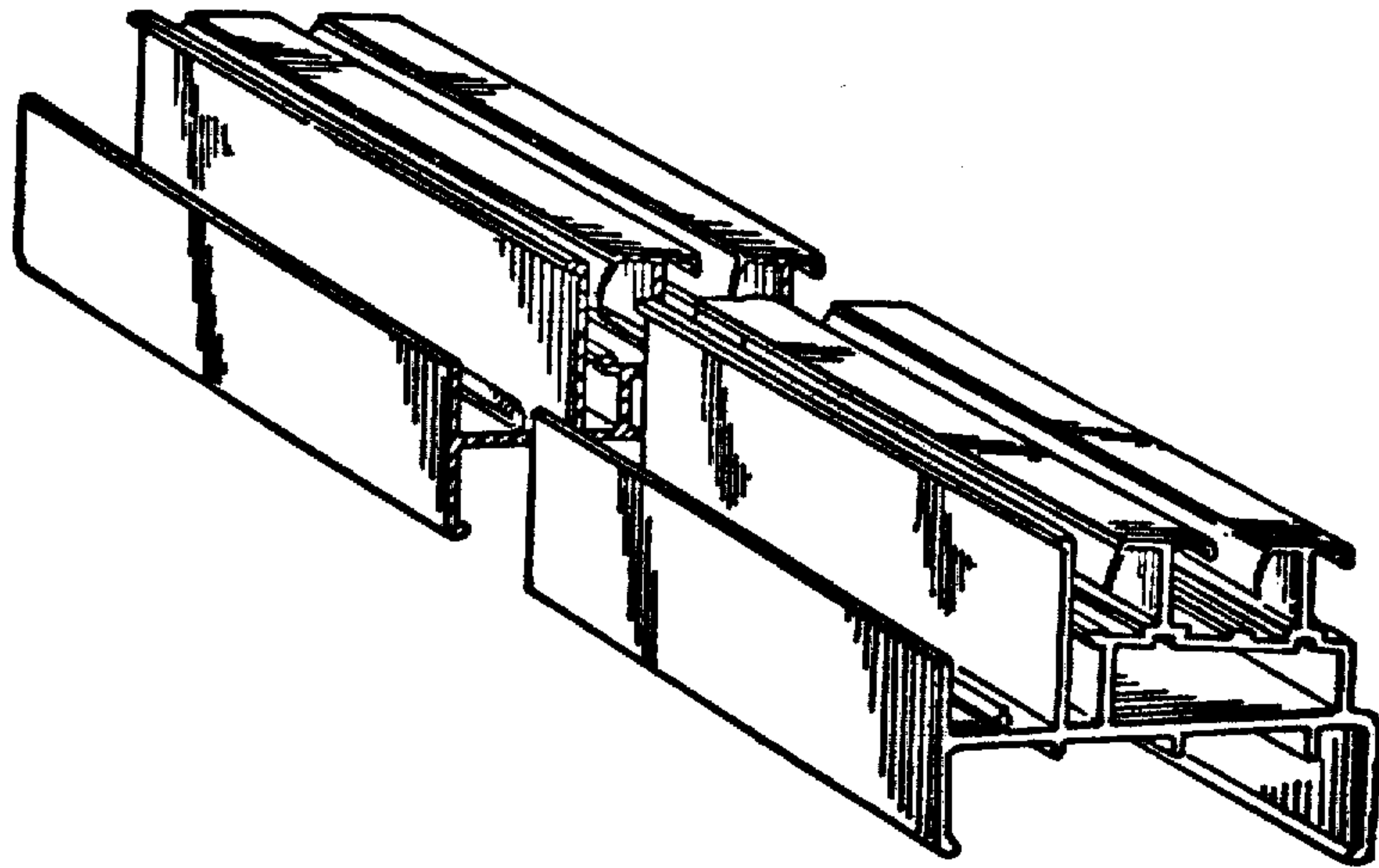


FIG. 1

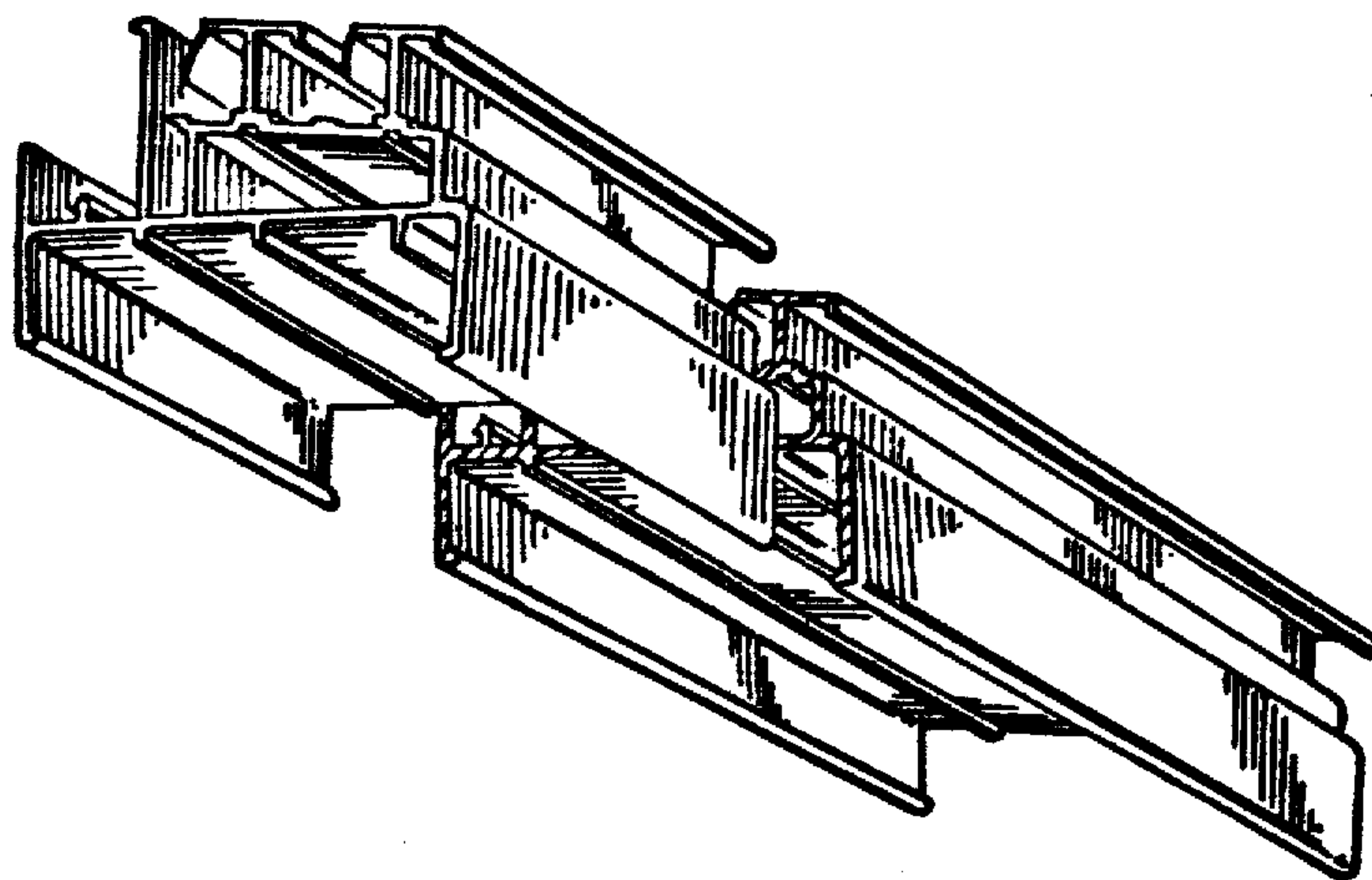


FIG. 2