

[54] EXTRUDED SILL TRACK FOR A WINDOW

[76] Inventor: Raymond Dallaire, P.O. Box 220, Levis, Quebec, Canada

[**] Term: 14 Years

[21] Appl. No.: 482,771

[22] Filed: June 24, 1974

[30] Foreign Application Priority Data
Dec. 28, 1973 Canada 45523

[51] Int. Cl. D25-01
[52] U.S. Cl. D25/74
[58] Field of Search D13/1 M, 6; 49/504, 49/419, DIG. 2; 52/206, 209, 211, 494, 498, 737, 720

[56]

References Cited

U.S. PATENT DOCUMENTS

3,570,182	3/1971	Bakke	52/209 X
3,600,854	8/1971	Dallaire et al.	49/419 X
3,731,430	5/1973	Dallaire et al.	49/419
D. 216,957	3/1970	Dallaire	D13/6
D. 225,319	12/1972	Dallaire et al.	D13/6

Primary Examiner—A. Hugo Word
Attorney, Agent, or Firm—John W. Malley

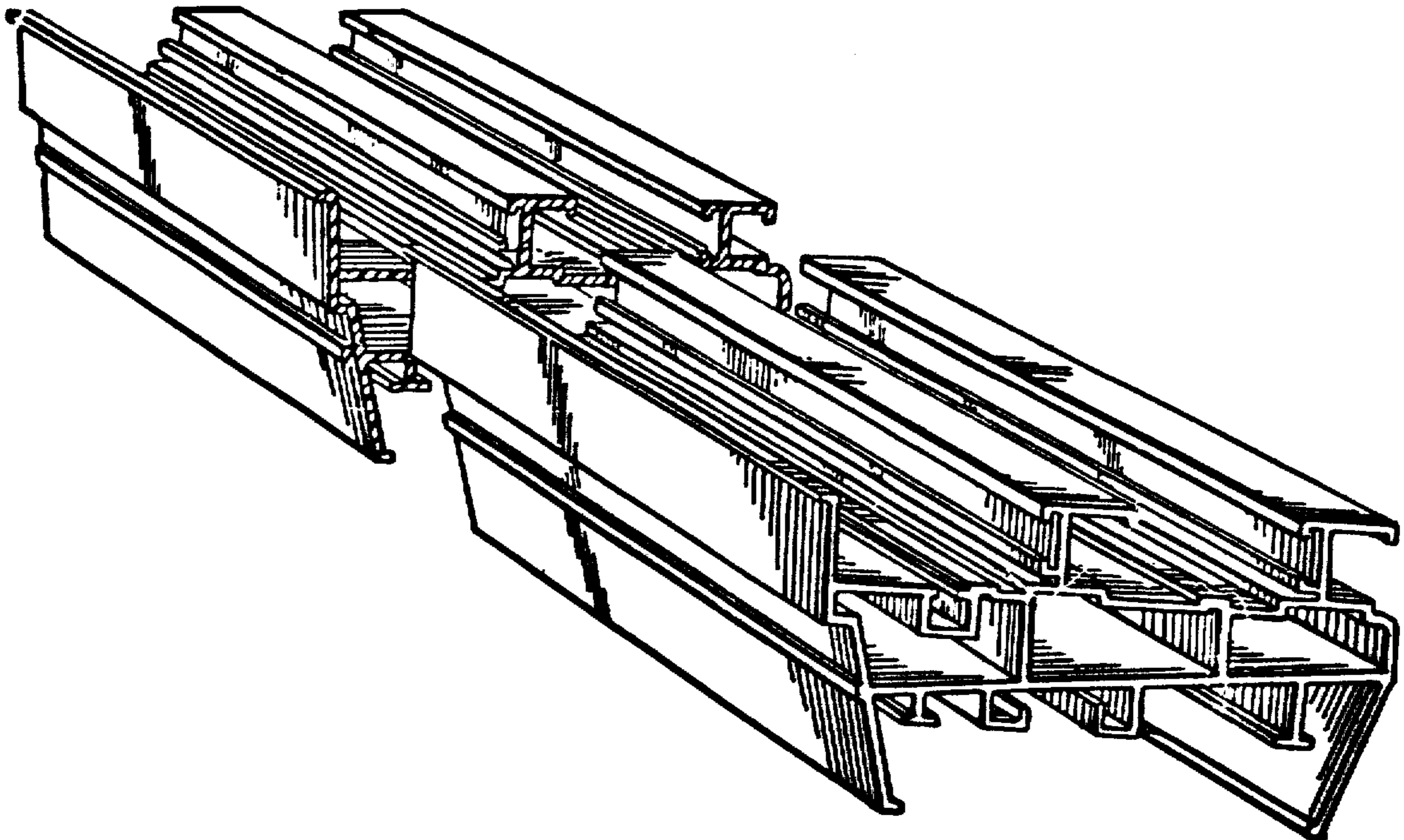
[57]

CLAIM

The ornamental design for an extruded sill track for a window, as shown.

DESCRIPTION

FIG. 1 is a broken perspective of one side of an extruded sill track for a window, and FIG. 2 is a corresponding broken perspective from the opposite side of an extruded sill track for a window compared to FIG. 1.



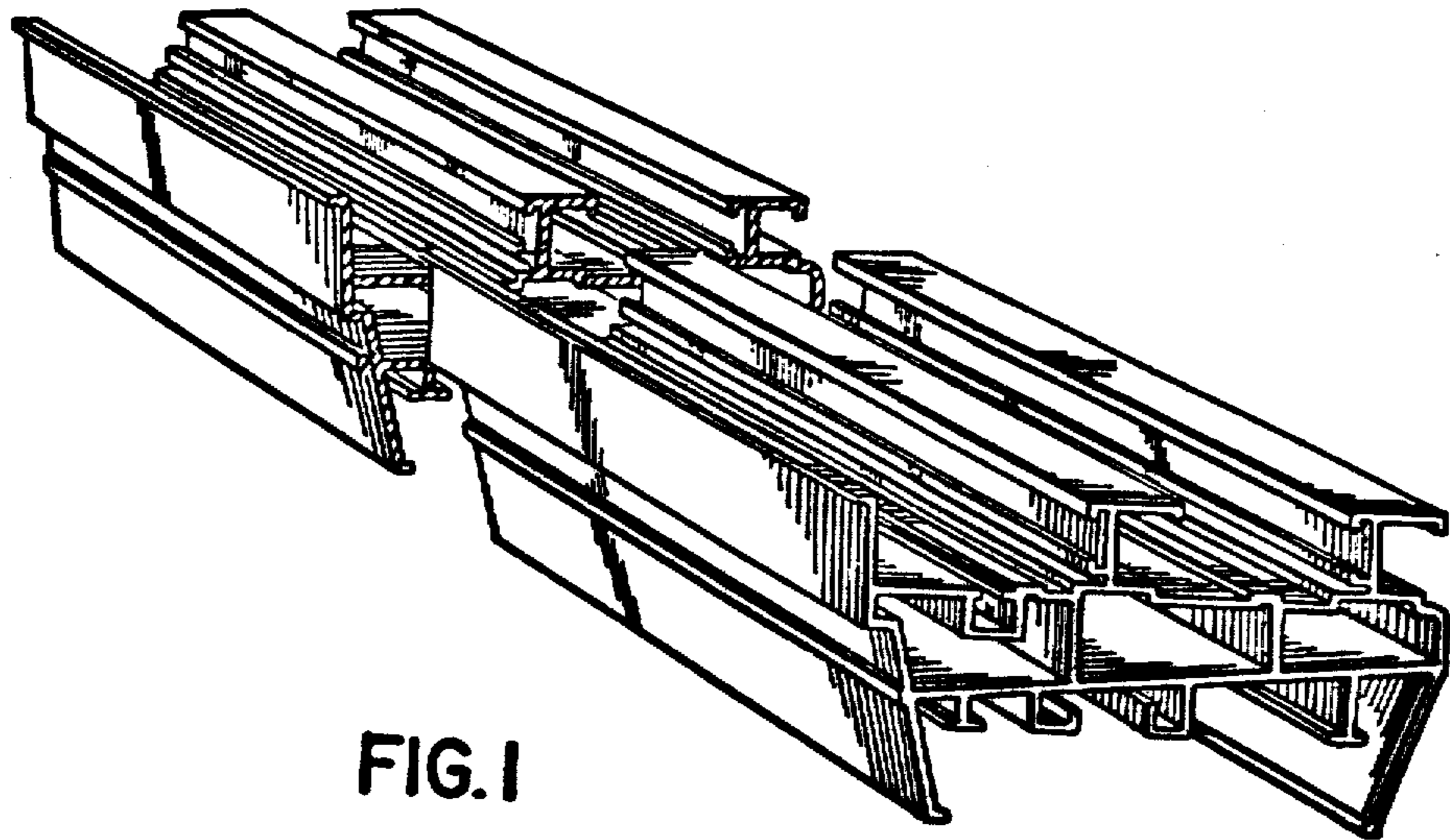


FIG. 1

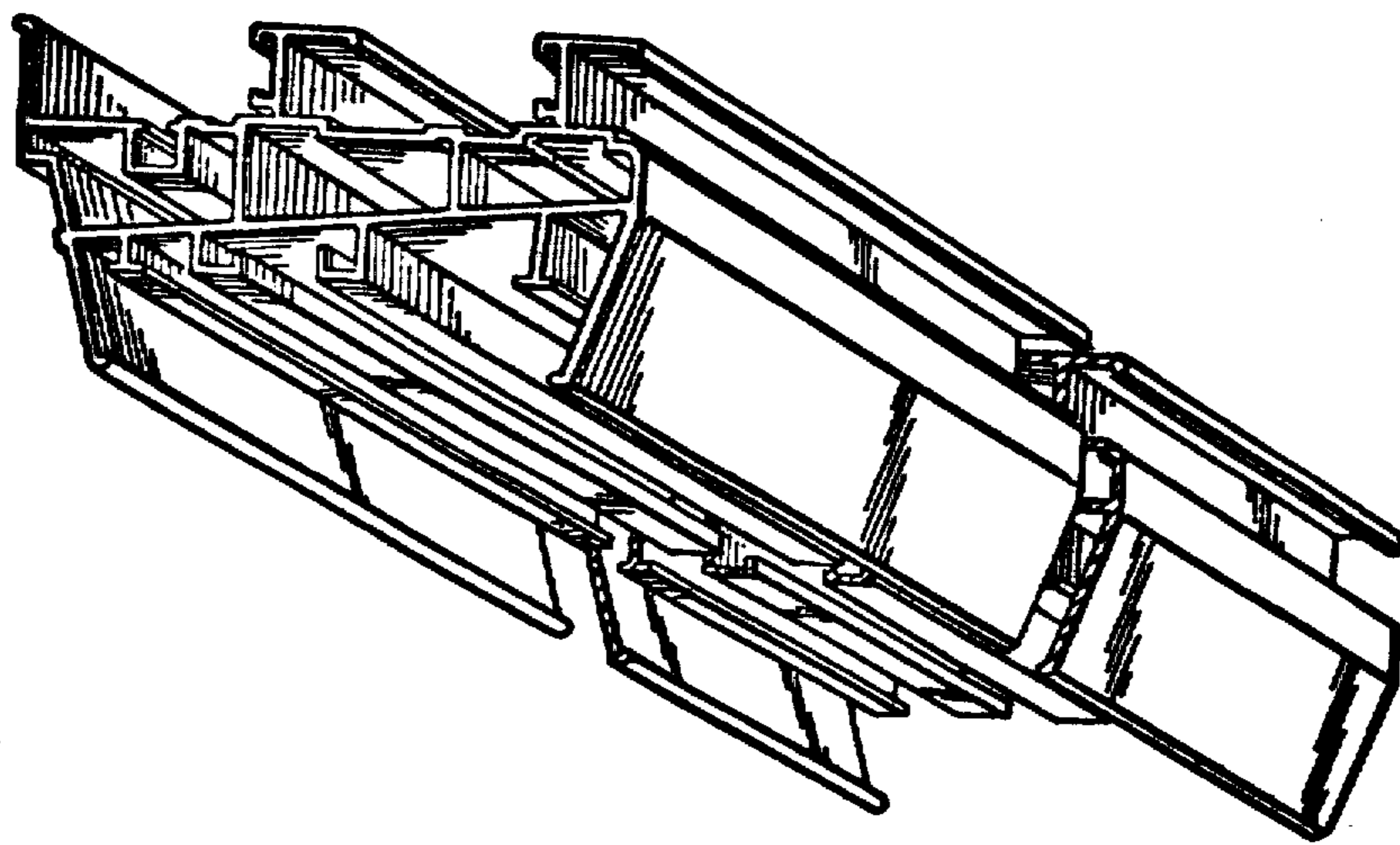


FIG. 2