

[54] EXTRUDED SILL TRACK INSERT FOR A WINDOW

[76] Inventor: Raymond Dallaire, P.O. Box 220, Levis, Quebec, Canada

[**] Term: 14 Years

[21] Appl. No.: 482,770

[22] Filed: June 24, 1974

[30] Foreign Application Priority Data

Dec. 28, 1973 Canada 45526

[51] Int. Cl. D25-01

[52] U.S. Cl. D13/6

[58] Field of Search D13/1 M, 6; 49/504, 49/419, DIG. 2; 52/206, 209, 211, 494, 498, 737, 720

[56] References Cited

U.S. PATENT DOCUMENTS

3,176,806	4/1965	Ferrell	52/209
3,340,663	9/1967	Collard	D13/1 M
3,486,288	12/1969	Pyne	D13/6
3,600,854	8/1971	Dallaire et al.	49/419 X
3,731,430	5/1973	Dallaire et al.	49/419

Primary Examiner—A. Hugo Word

Attorney, Agent, or Firm—John W. Malley

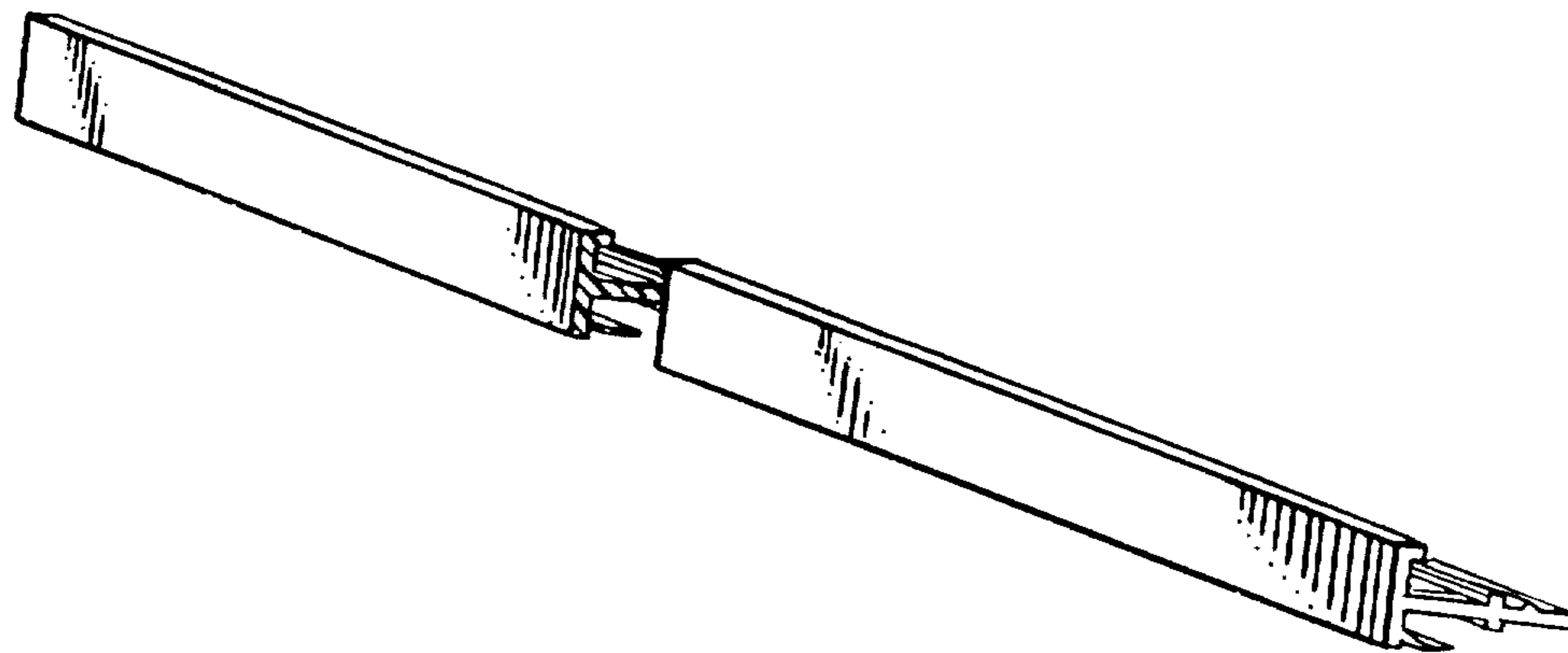
[57] CLAIM

The ornamental design for an extruded sill track insert for a window, as shown.

DESCRIPTION

FIG. 1 is a broken perspective of one side of the extrusion, and

FIG. 2 is a corresponding broken perspective from the opposite side of the extrusion compared to FIG. 1.



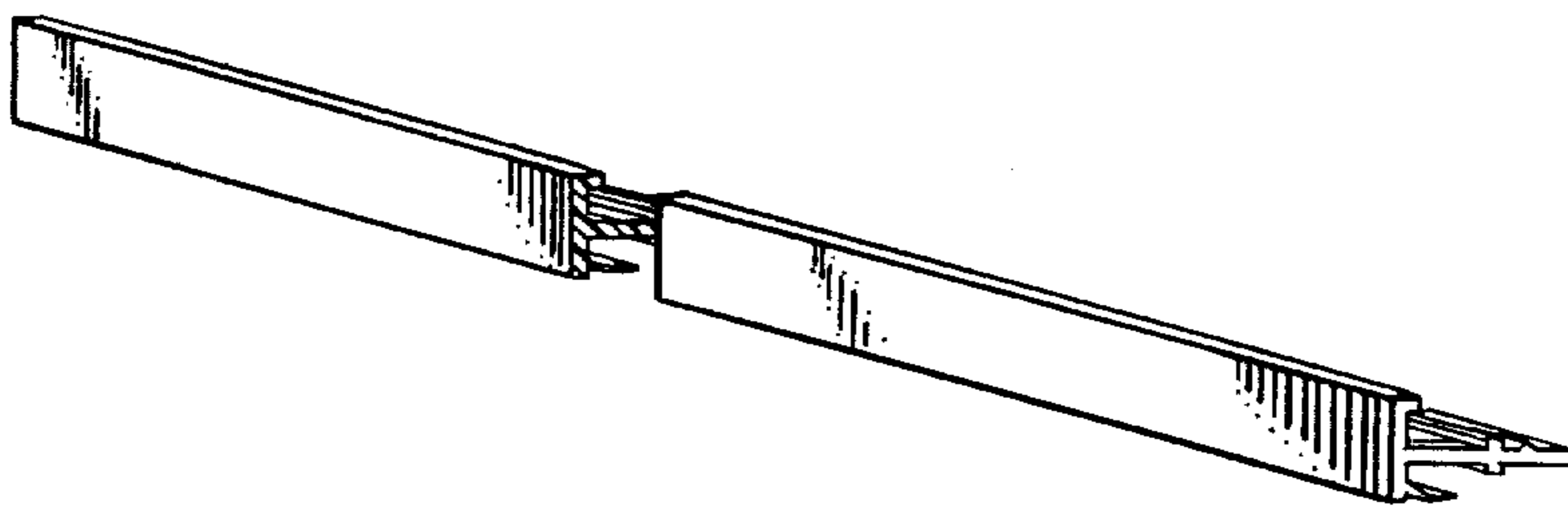


FIG. 1

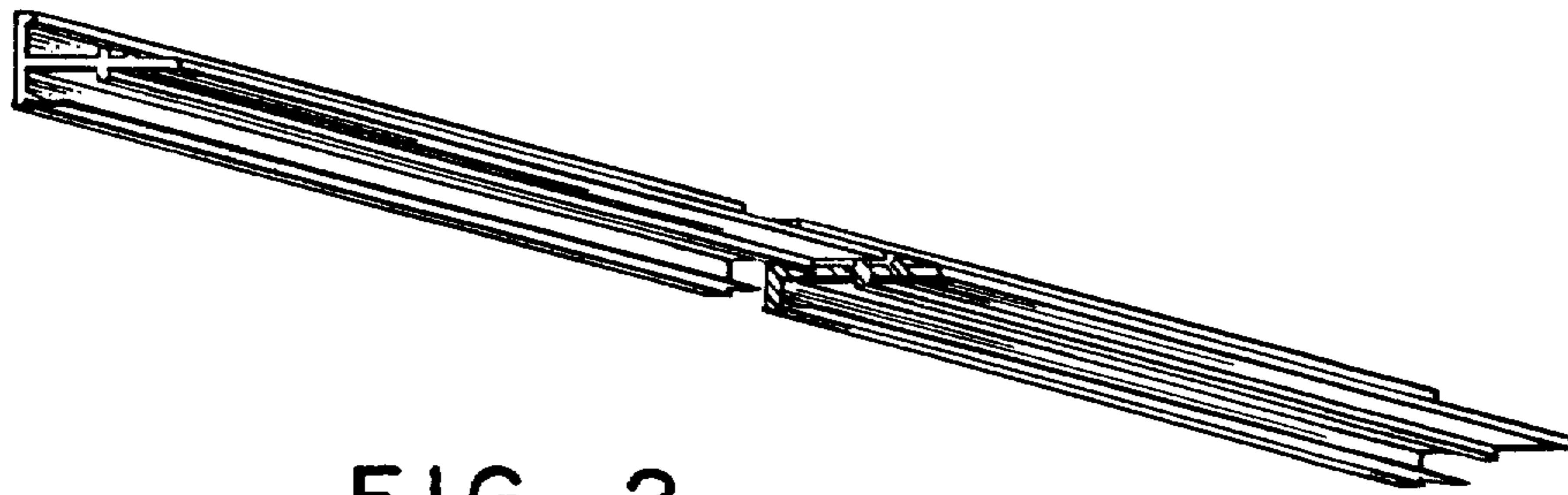


FIG. 2