

[54] BOTTLE

[75] Inventor: James E. Plummer, Toledo, Ohio

[73] Assignee: Owens-Illinois, Inc.

[**] Term: 14 Years

[21] Appl. No.: 618,310

[22] Filed: Oct. 1, 1975

[51] Int. Cl. D9-01

[52] U.S. Cl. D9/167

[58] Field of Search D9/115-117,
D9/91, 96-97, 149, 167, 168, 59, 71,
129-130; 215/1 R, 1 C

Primary Examiner—Robert C. Spangler
Attorney, Agent, or Firm—Philip M. Rice

[57] CLAIM

The ornamental design for a bottle, substantially as shown and described.

DESCRIPTION

FIG. 1 is a front elevational view of a bottle showing my new design, the opposite side being a mirror image of the side shown;

FIG. 2 is an elevational view taken from the right of FIG. 1, the opposite side being a mirror image of the side shown;

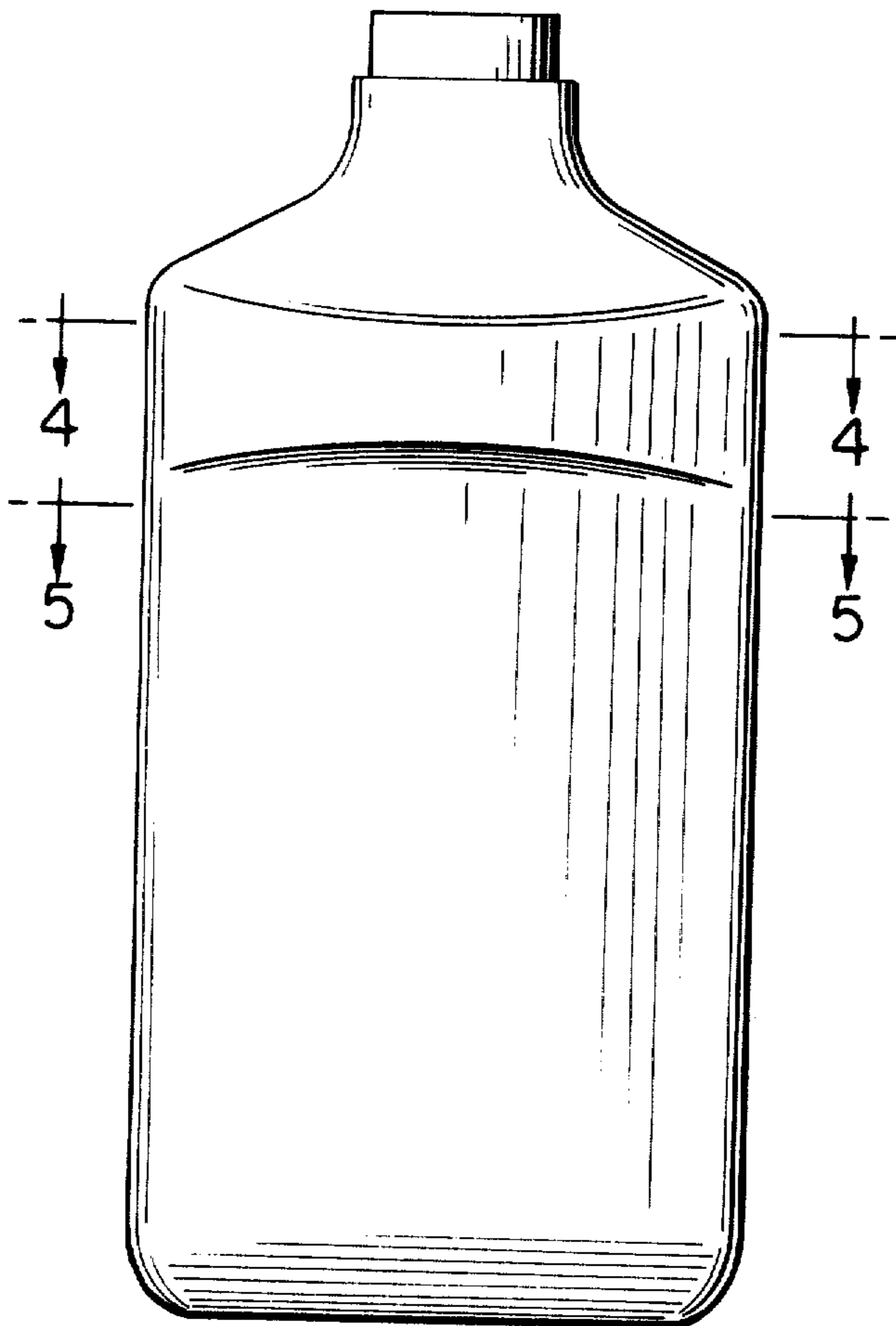
FIG. 3 is a top plan view thereof;

FIG. 4 is a sectional view taken through lines 4-4 of FIG. 1; and

FIG. 5 is a sectional view taken through lines 5-5 of FIG. 1.

[56] References Cited
U.S. PATENT DOCUMENTS

D. 234,911	4/1975	Stevens	D9/117
D. 235,092	5/1975	Leary	D9/44



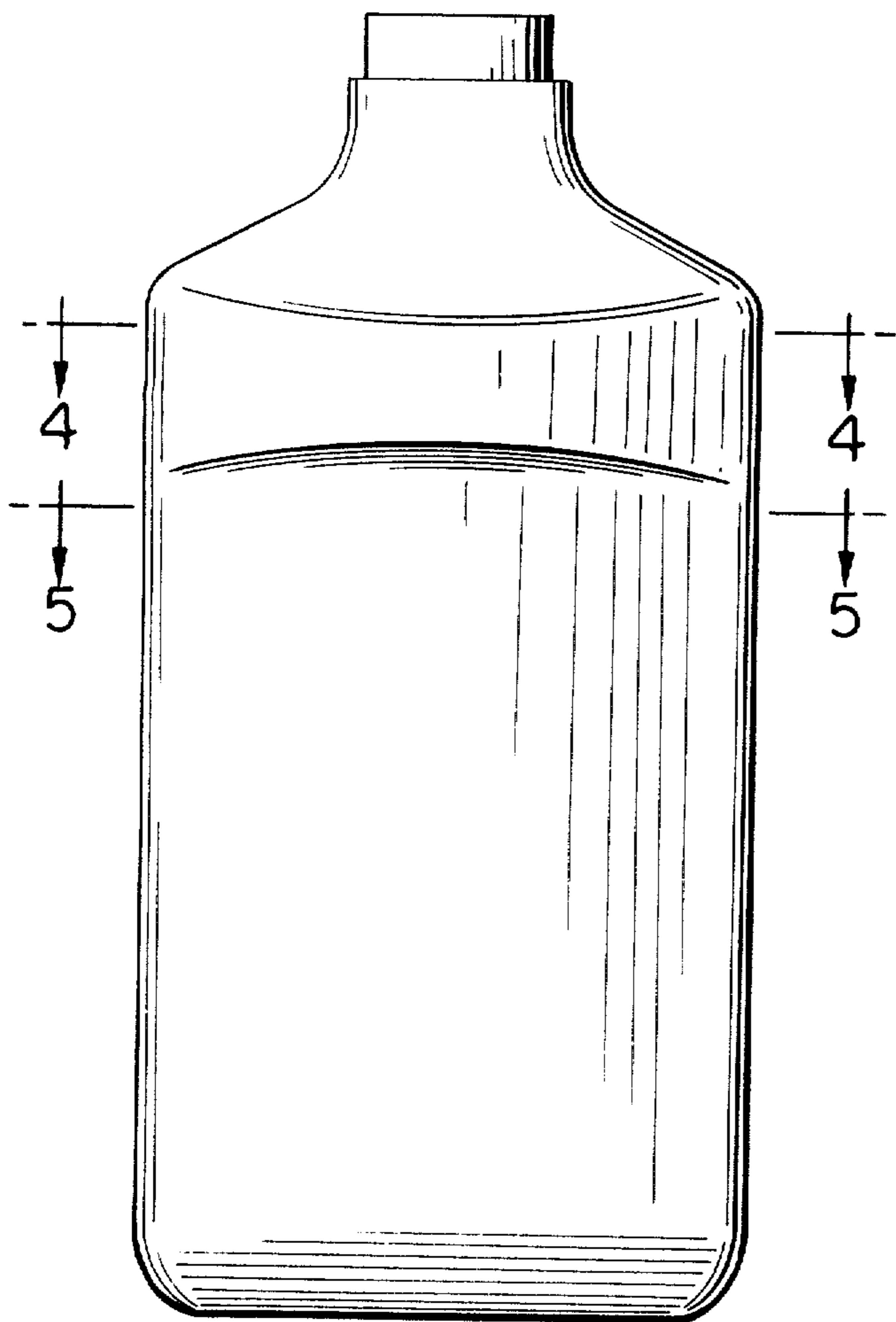


FIG. 1

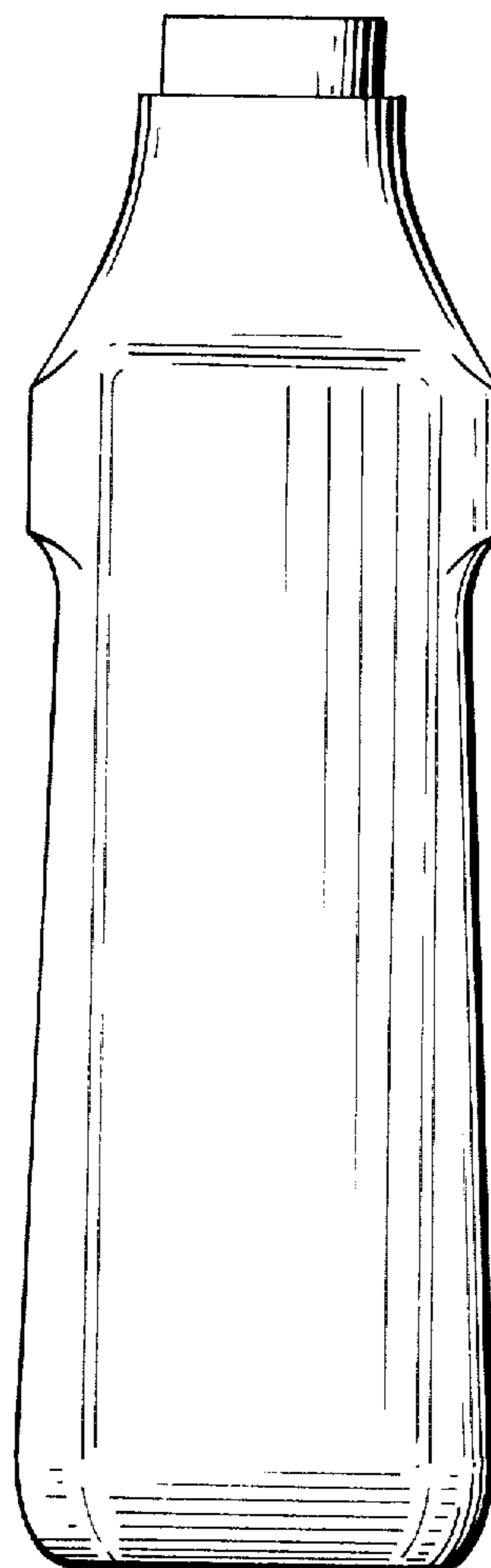


FIG. 2

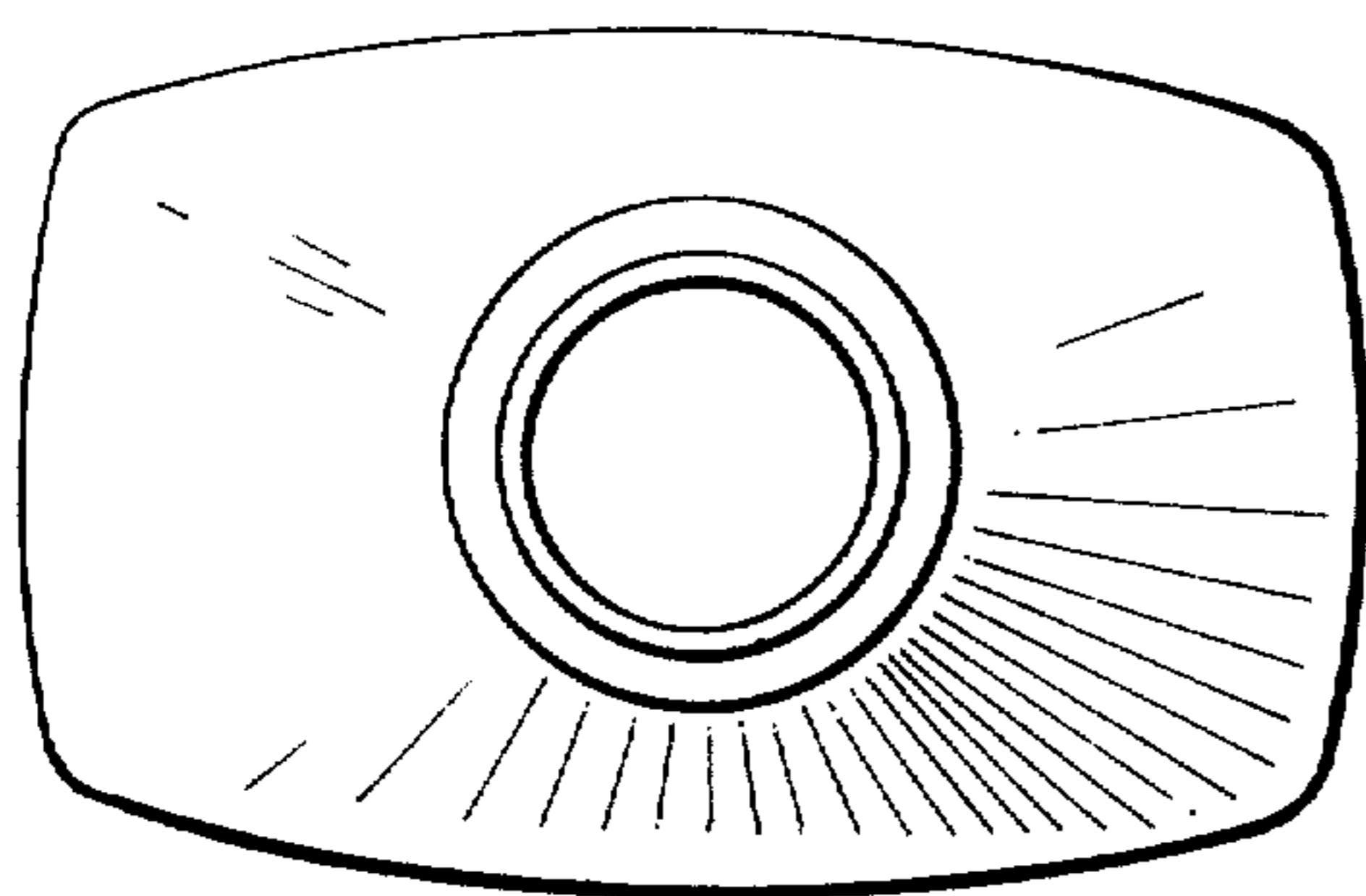


FIG. 3

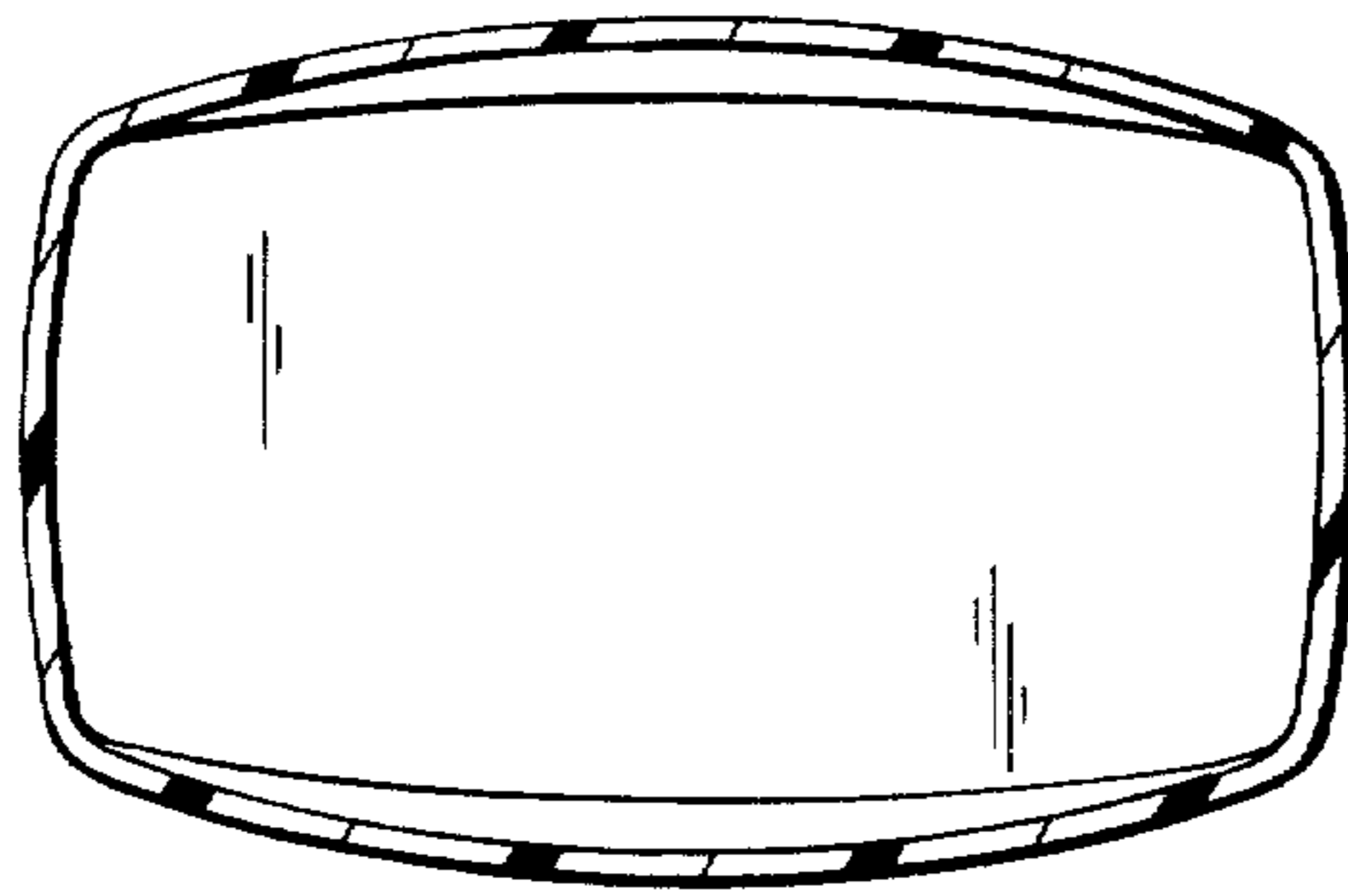


FIG. 4

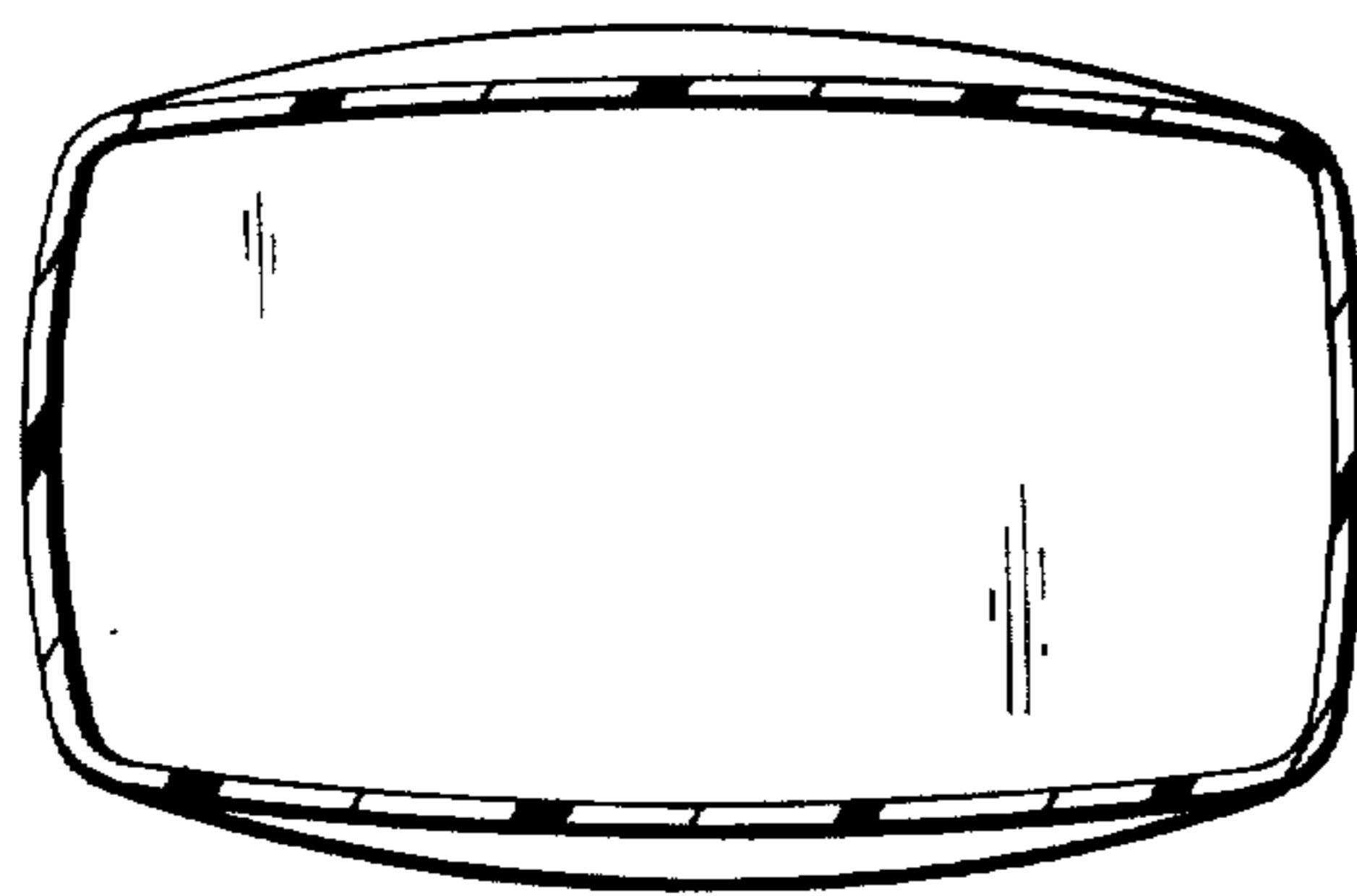


FIG. 5

UNITED STATES PATENT AND TRADEMARK OFFICE
CERTIFICATE OF CORRECTION

PATENT NO. : DES. 243,659
DATED : March 15, 1977
INVENTOR(S) : James E. Plummer

It is certified that error appears in the above-identified patent and that said Letters Patent are hereby corrected as shown below:

On page 1 of the specification before the first paragraph insert -- This is a continuation-in-part application of application D-601,952 filed August 4, 1975, which latter application is now abandoned. --

Signed and Sealed this

Twenty-eighth **Day of** June 1977

[SEAL]

Attest:

RUTH C. MASON
Attesting Officer

C. MARSHALL DANN
Commissioner of Patents and Trademarks