

[54] **ADAPTOR PLATE**

[75] **Inventors:** Stephen Matousek, Chagrin Falls;
Ulrich H. Koch, Bainbridge
Township, both of Ohio

[73] **Assignee:** Whitey Research Tool Co.

[**] **Term:** 14 Years

[21] **Appl. No.:** 578,757

[22] **Filed:** May 19, 1975

[51] **Int. Cl.** D8-08

[52] **U.S. Cl.** D8/354

[58] **Field of Search** 229/81; D8/233

[56] **References Cited**

U.S. PATENT DOCUMENTS

3,287,050 11/1966 Ferrante 292/262 X

Primary Examiner—William N. Wertman

Attorney, Agent, or Firm—Albert P. Sharpe, III

[57] **CLAIM**

The ornamental design for an adaptor plate, as shown.

DESCRIPTION

FIG. 1 is a perspective view taken from the bottom and side of an adaptor plate showing our new design;

FIG. 2 is a side elevational view thereof;

FIG. 3 is an end view thereof; and,

FIG. 4 is a perspective view taken from the top and one side thereof.

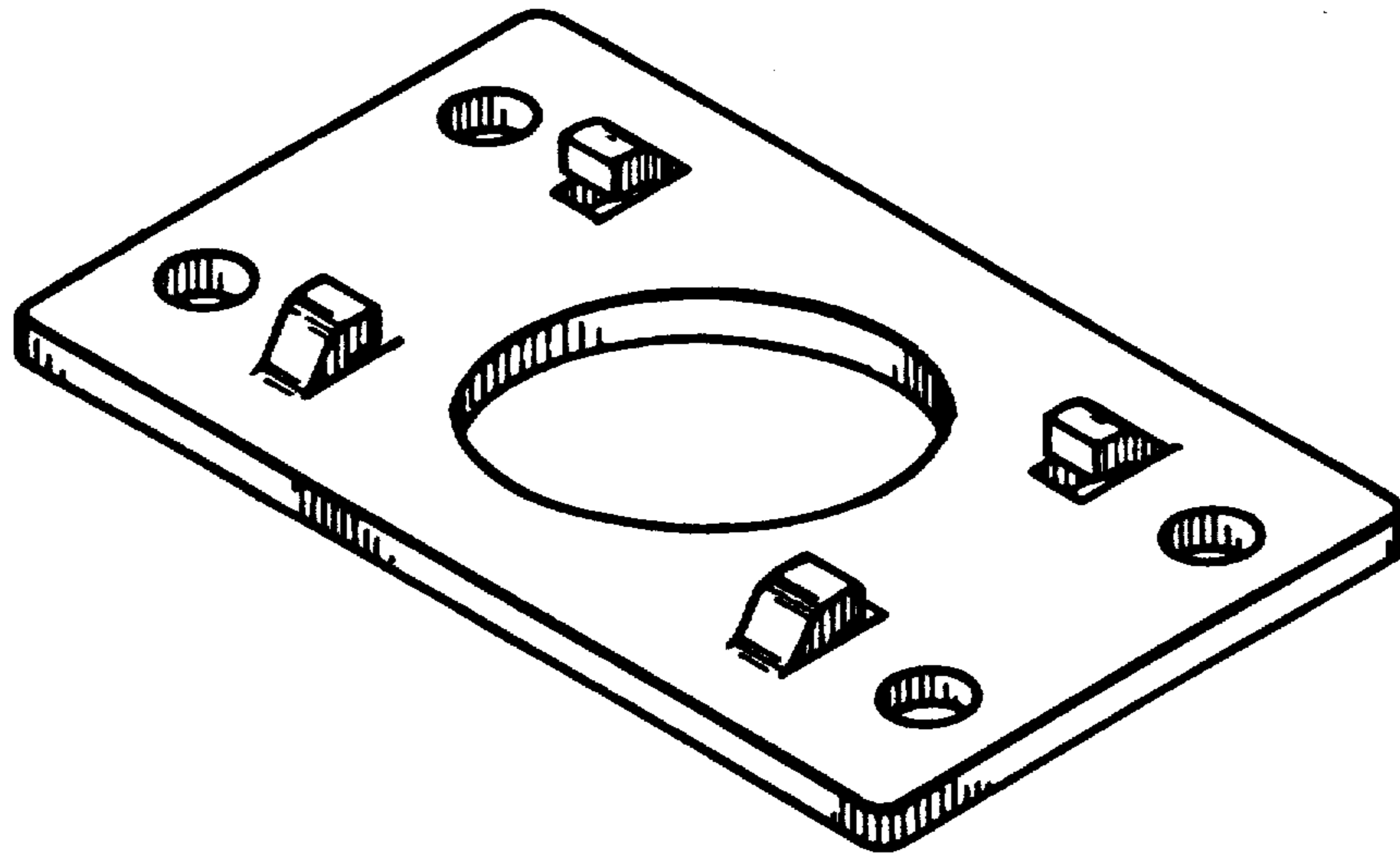


FIG. 1

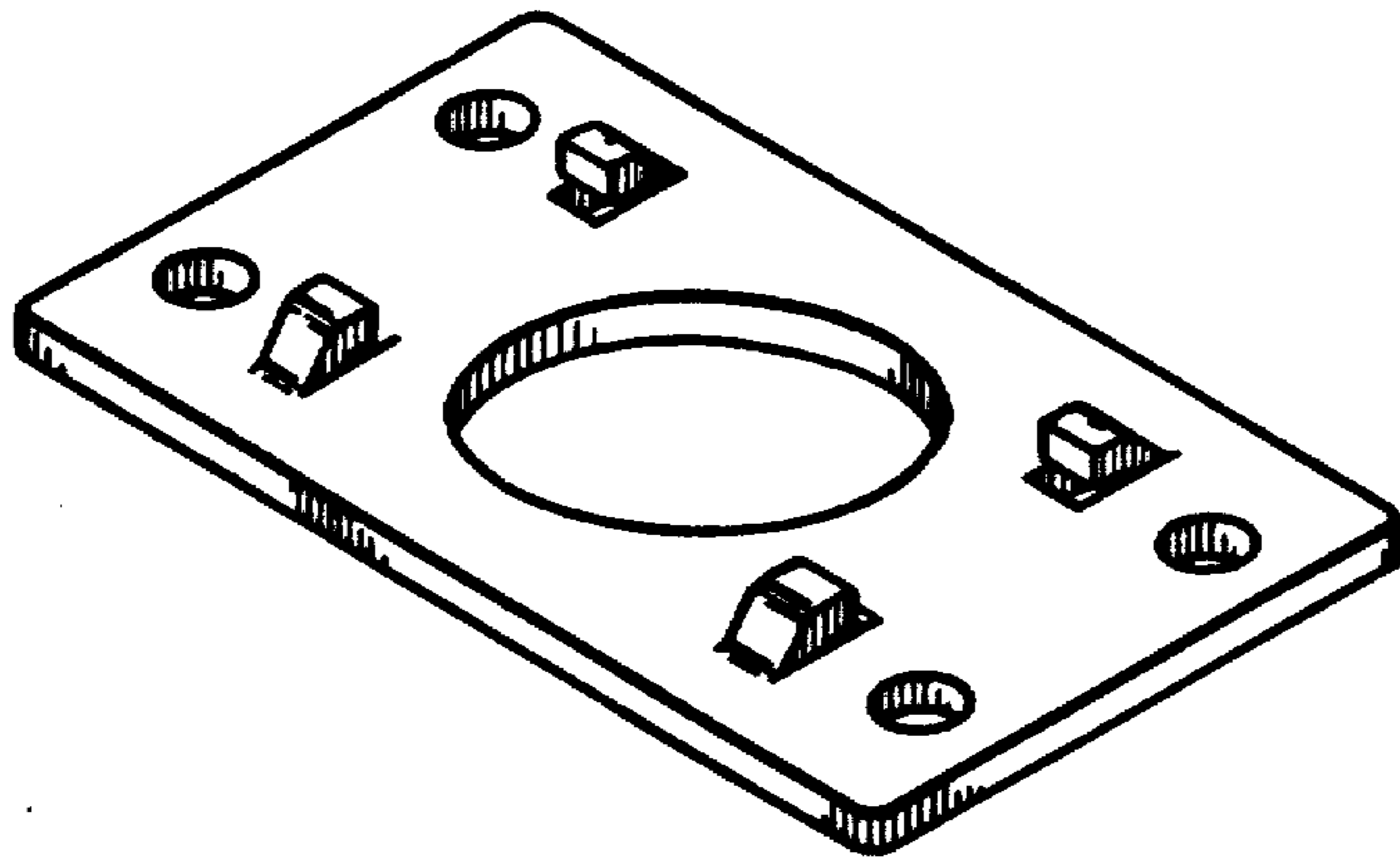


FIG. 3



FIG. 2



FIG. 4

