

[54] PORTABLE CORD HOLDER

[76] Inventor: Thomas J. Burgoyne, 143 Canal St., Brattleboro, Vt. 05301

[**] Term: 14 Years

[21] Appl. No.: 685,311

[22] Filed: May 11, 1976

[51] Int. Cl. D8-99

[52] U.S. Cl. D8/358

[58] Field of Search 242/96; D8/220, 222

[56] References Cited

U.S. PATENT DOCUMENTS

D. 136,783	12/1943	Le Veck	D8/220
D. 217,429	5/1970	Parsons	D8/220
D. 221,511	8/1971	Dufault	D8/220

D. 228,117	8/1973	Turner	D8/220 X
D. 231,327	4/1974	Schultz	D8/220

Primary Examiner—William N. Wertman
Attorney, Agent, or Firm—John E. Toupal

[57] CLAIM

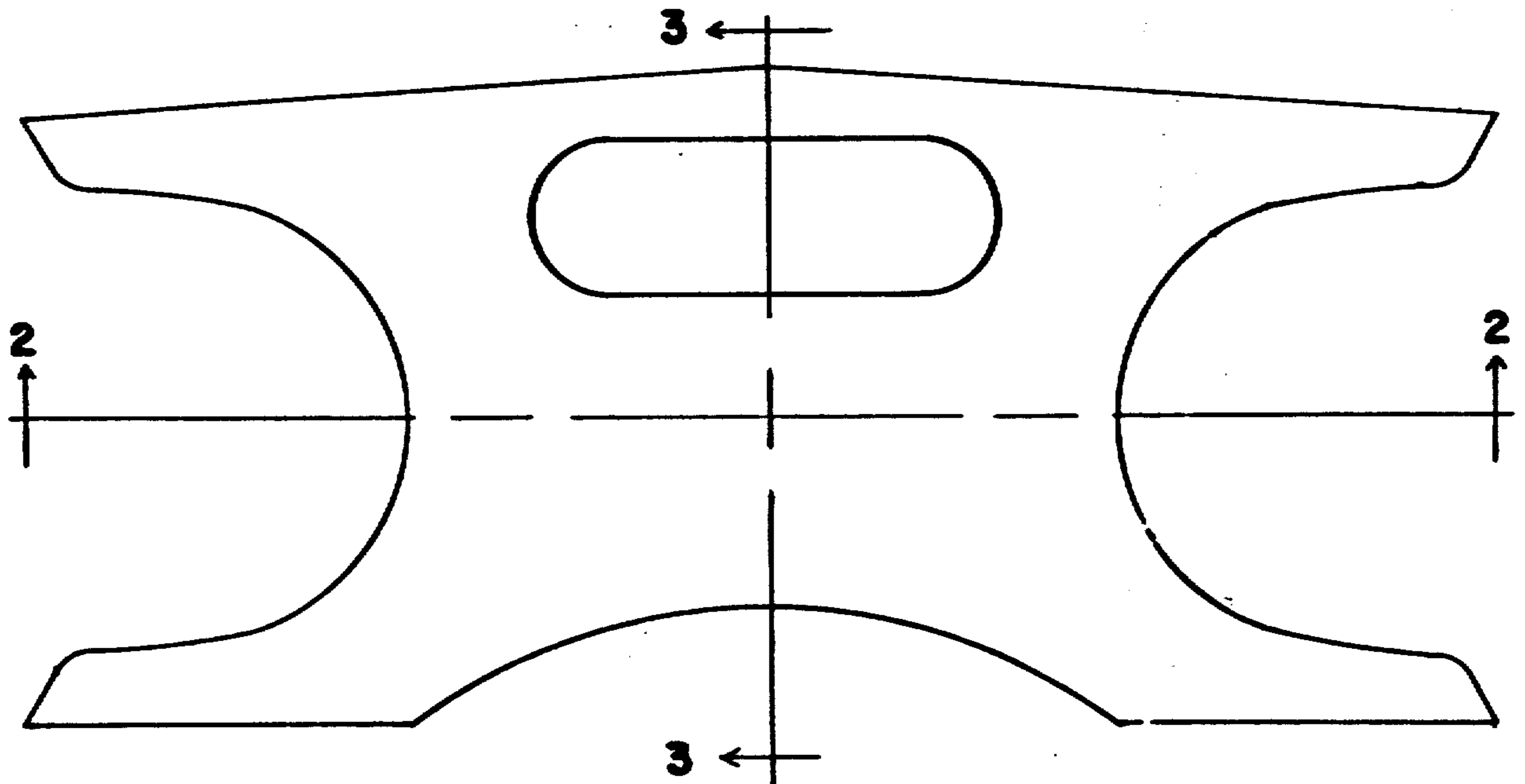
The ornamental design for a portable cord holder, substantially as shown.

DESCRIPTION

FIG. 1 is a plan view of a portable cord holder showing my new design;

FIG. 2 is a cross sectional view taken along lines 2—2 of FIG. 1; and

FIG. 3 is a cross sectional view taken along lines 3—3 of FIG. 1.



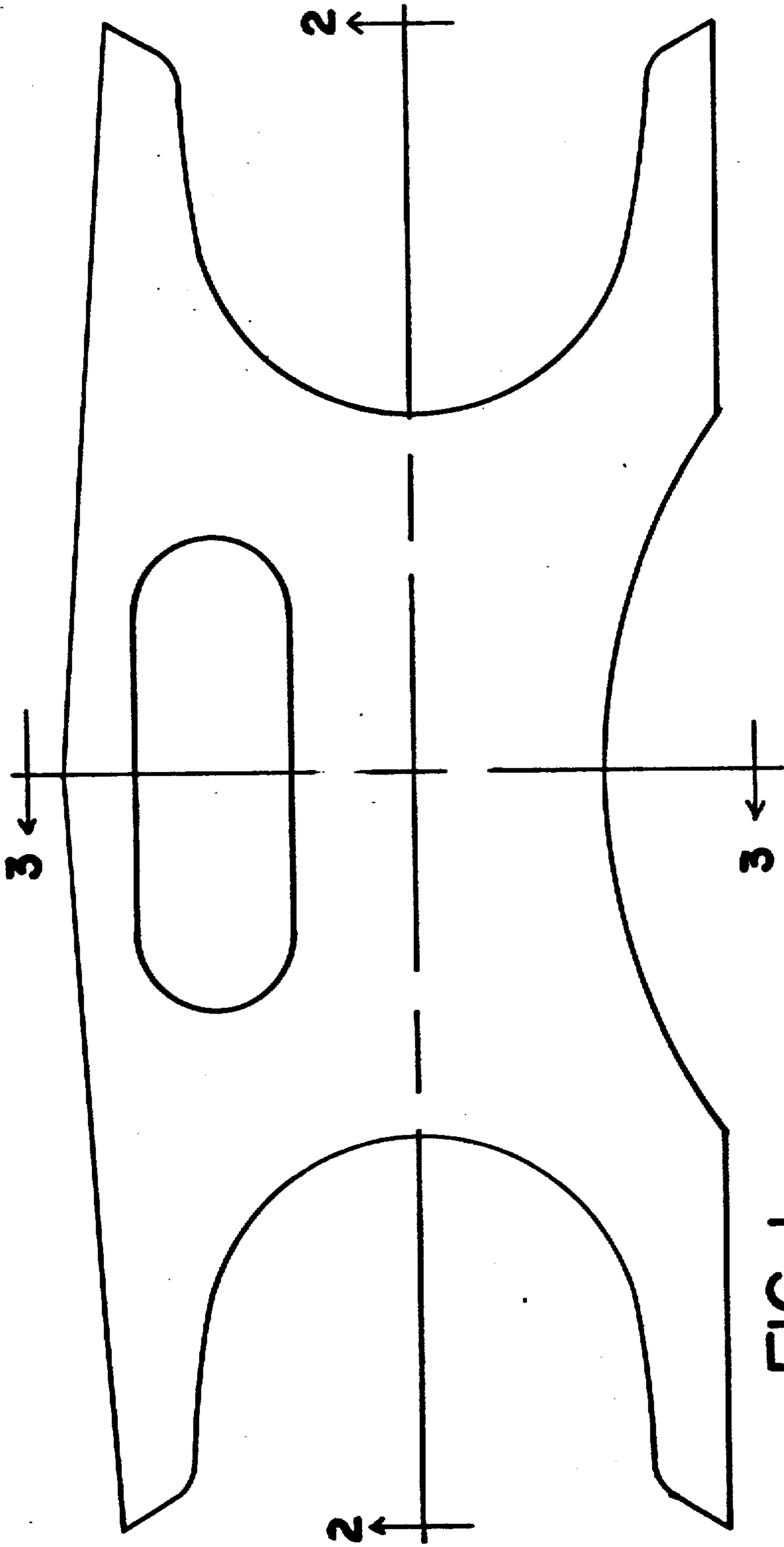


FIG. 1.



FIG. 3

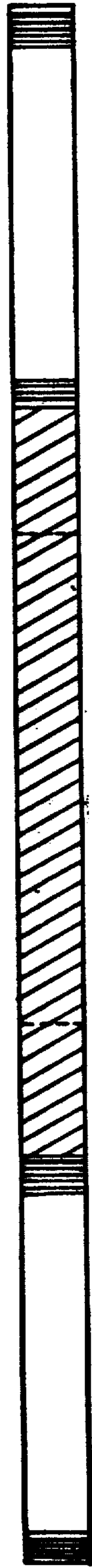


FIG. 2.