

[54] CORDLESS ELECTRIC TOOL

[75] Inventors: Donald William Zurwelle, Lutherville; Lee Webber Ramstrom, Kingsville; Stanley Alan Markle, Lutherville, all of Md.

[73] Assignee: The Black and Decker Manufacturing Company, Towson, Md.

[**] Term: 14 Years

[21] Appl. No.: 600,262

[22] Filed: July 31, 1975

[51] Int. Cl. D8-05

[52] U.S. Cl. 8/68

[58] Field of Search D8/68; 320/2

[56] References Cited

U.S. PATENT DOCUMENTS

3,883,789 5/1975 Achenbach et al. 310/50 X
3,924,097 12/1975 Knowles et al. 320/2 X

Primary Examiner—Alan P. Douglas
Attorney, Agent, or Firm—Edward D. Murphy

[57] CLAIM

The ornamental design for a cordless electric tool, as shown and described.

DESCRIPTION

FIG. 1 is a side elevational view of a cordless electric tool.

FIG. 2 is a front elevational view of the tool shown in FIG. 1.

FIG. 3 is a top plan view of the tool shown in FIG. 1.

FIG. 4 is a bottom plan view of the tool shown in FIG. 1.

FIG. 5 is a rear elevational view of the tool shown in FIG. 1.

FIG. 6 is a perspective view of another embodiment of a cordless electric tool.

The portions of this embodiment not shown in this view are identical to those shown in FIGS. 1-5 except that the gripping surface texture illustrated therein is omitted.

FIG. 7 is a side elevational view of another embodiment of a cordless electric tool.

FIG. 8 is a side elevational view of a third embodiment of a cordless electric tool.

FIG. 9 is a top plan view of the tool illustrated in FIG. 8.

FIG. 10 is a bottom plan view of the tool illustrated in FIG. 8.

FIG. 11 is a front elevational view of the tool shown in FIG. 8.

FIG. 12 is a rear elevational view of the tool shown in FIG. 8.

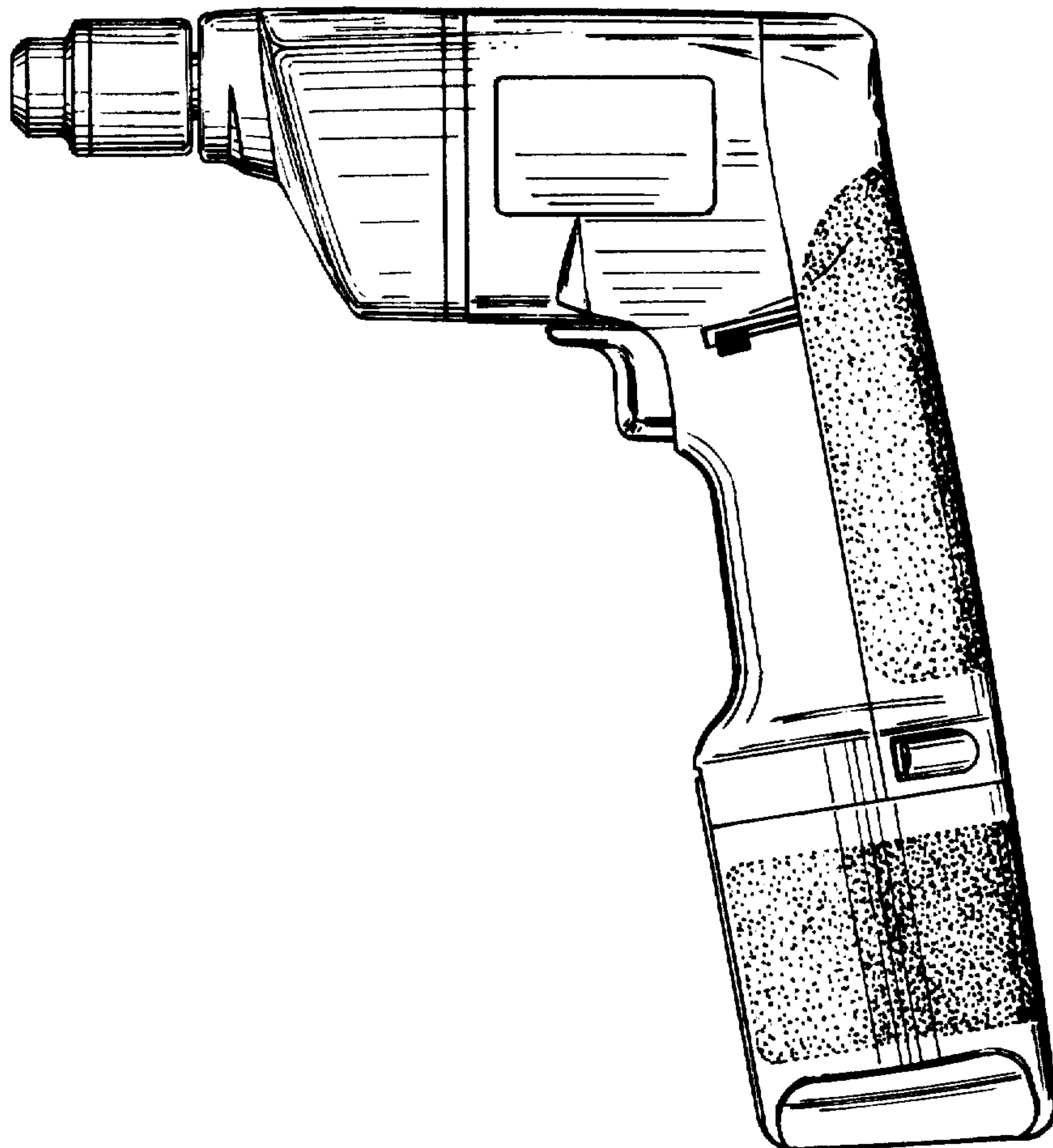


FIG. 1

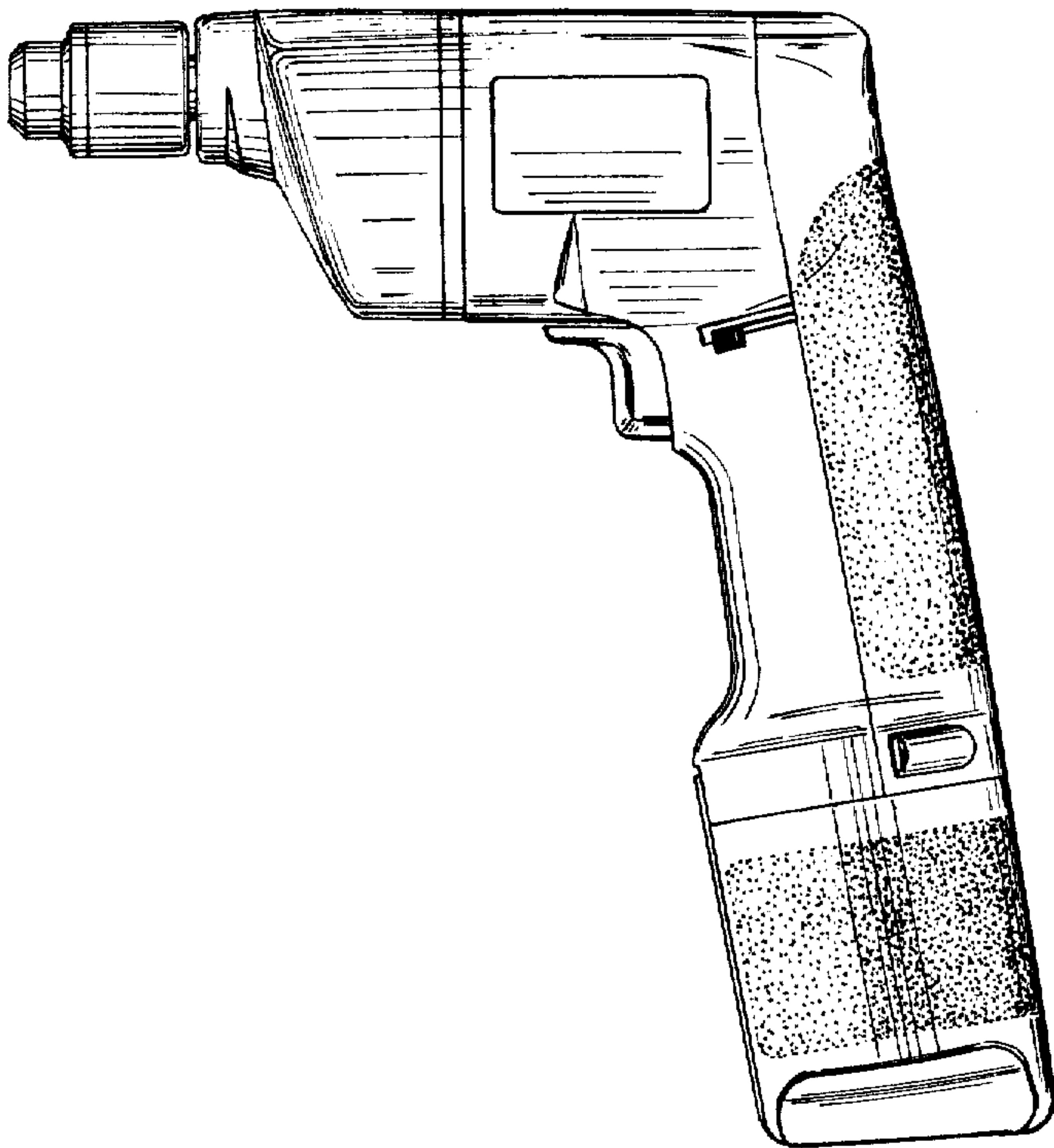


FIG. 2

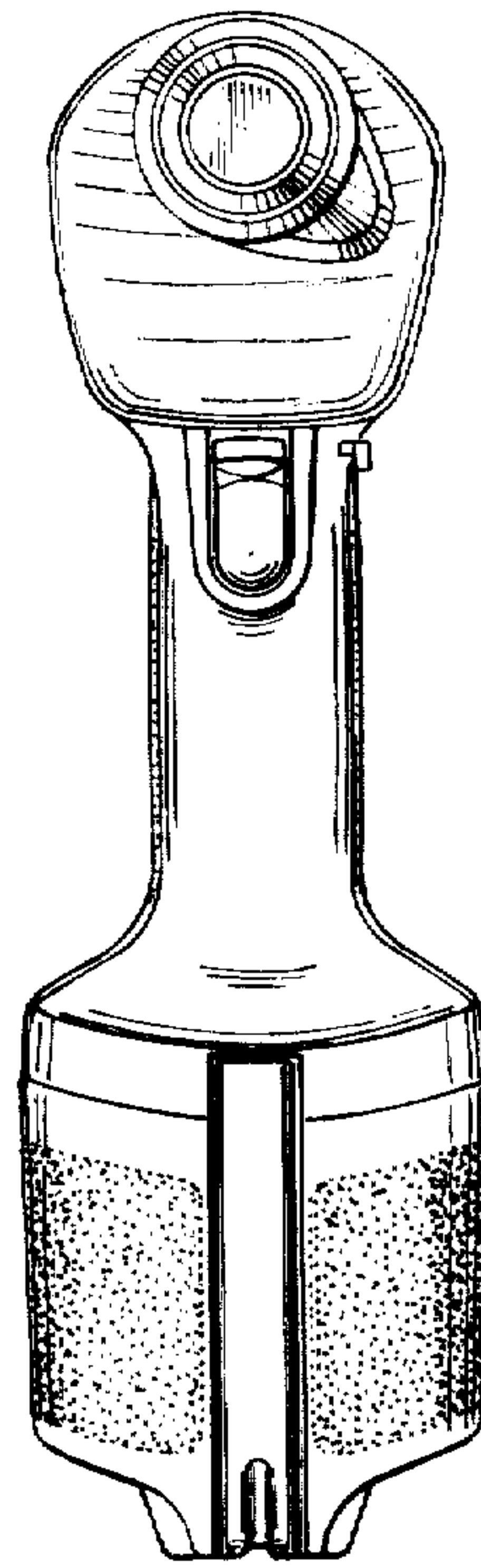


FIG. 3

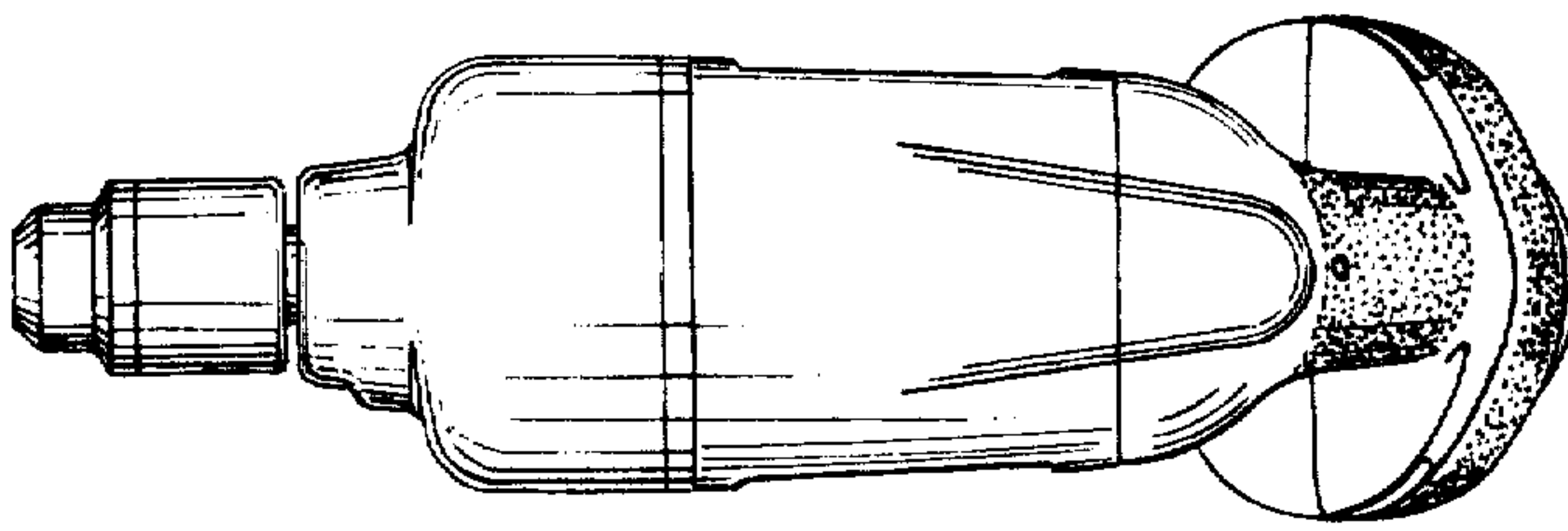


FIG. 4

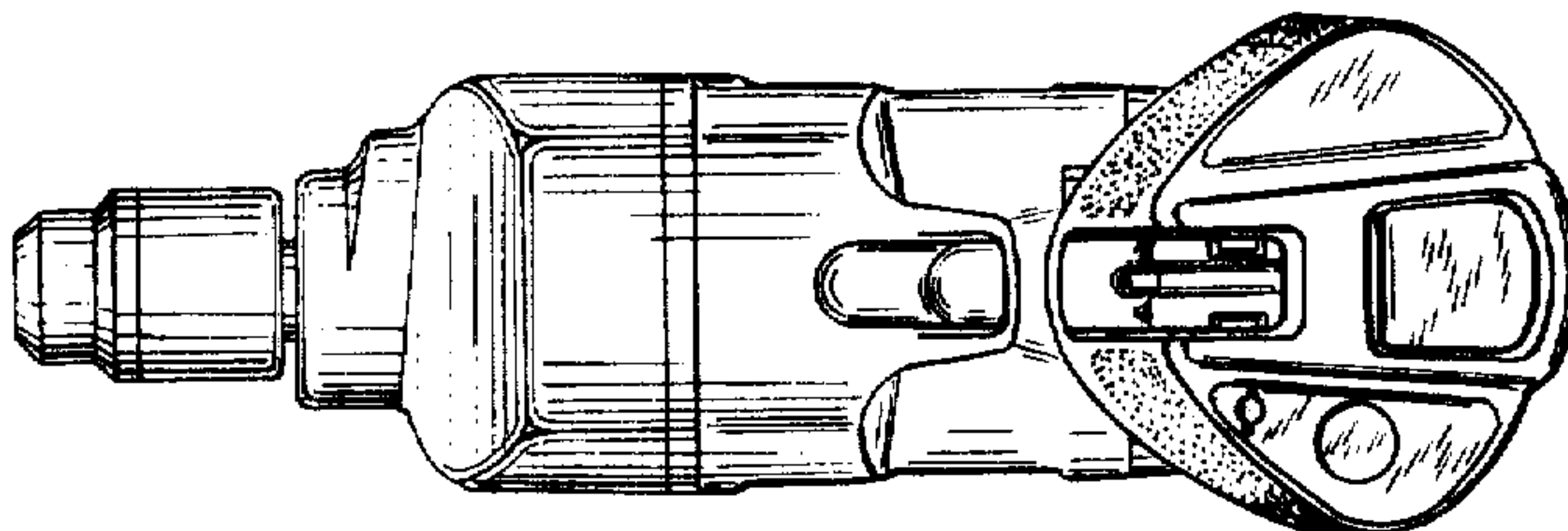
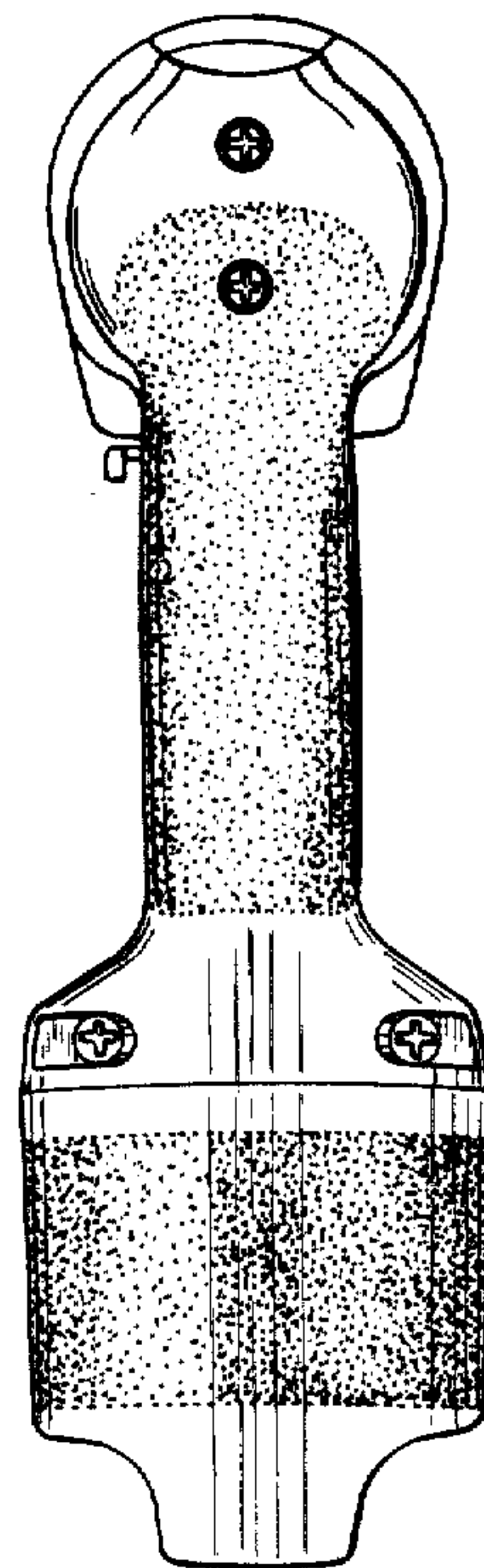


FIG. 5



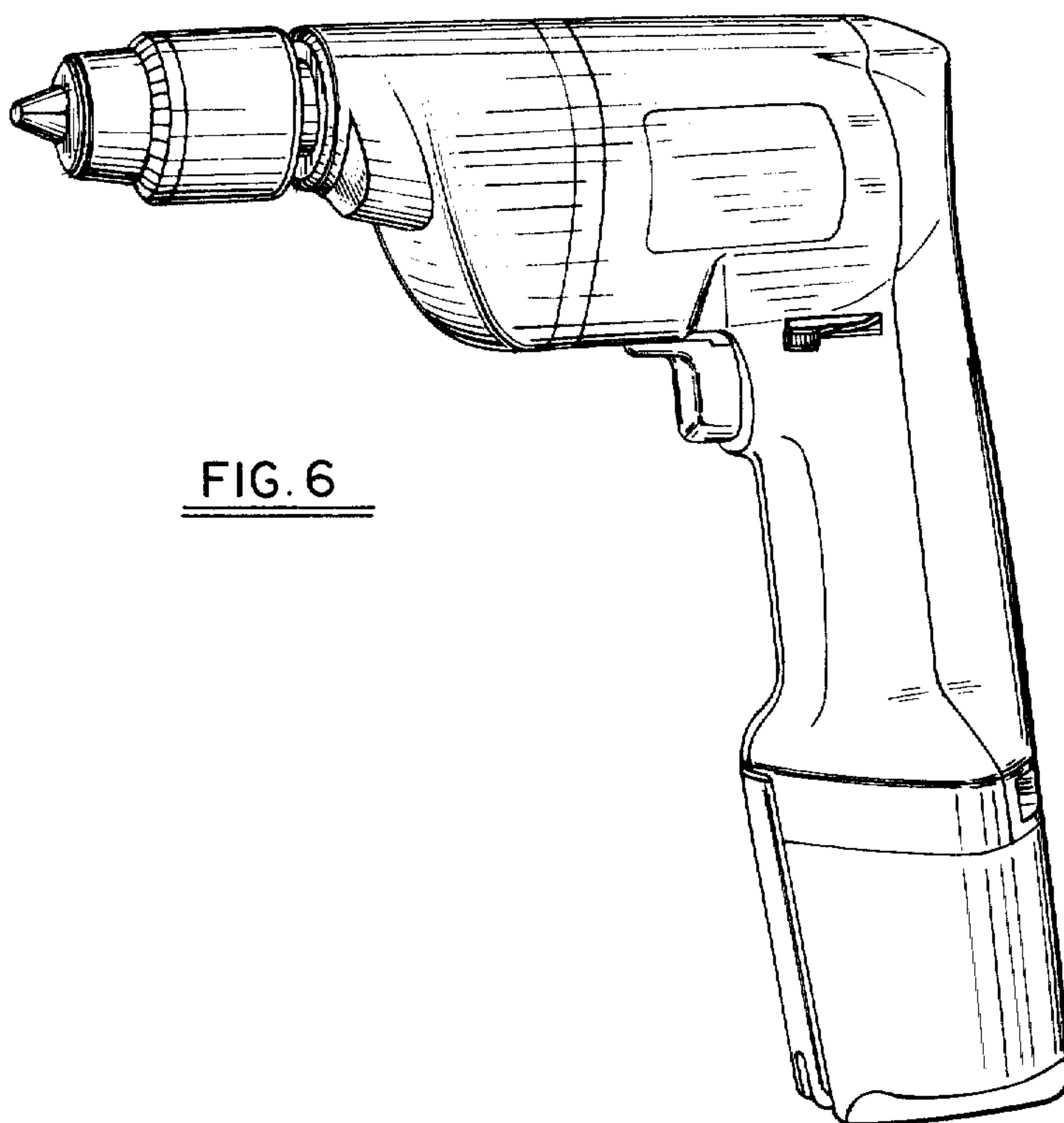


FIG. 6

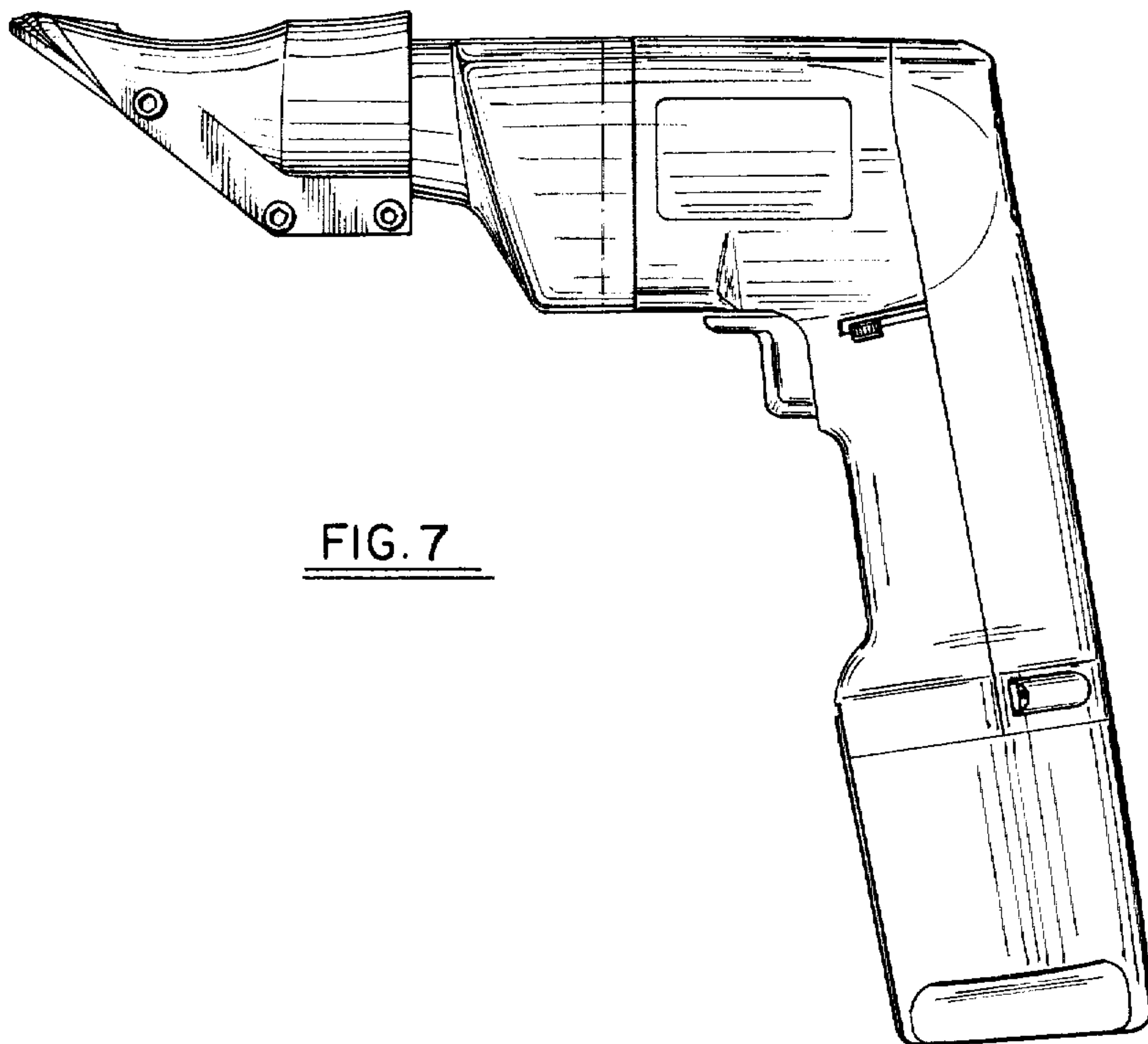


FIG. 7

FIG. 8

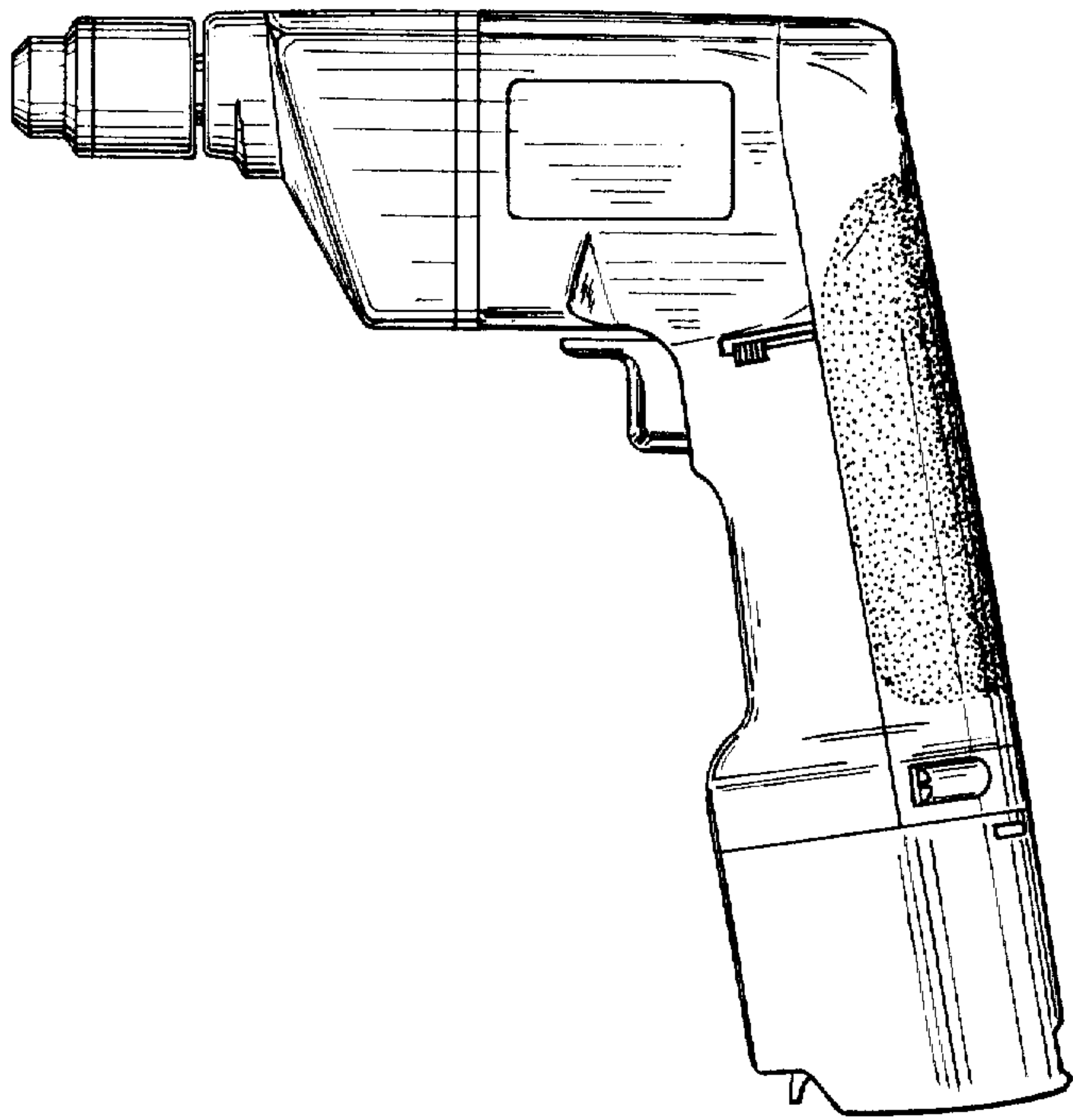


FIG. 11

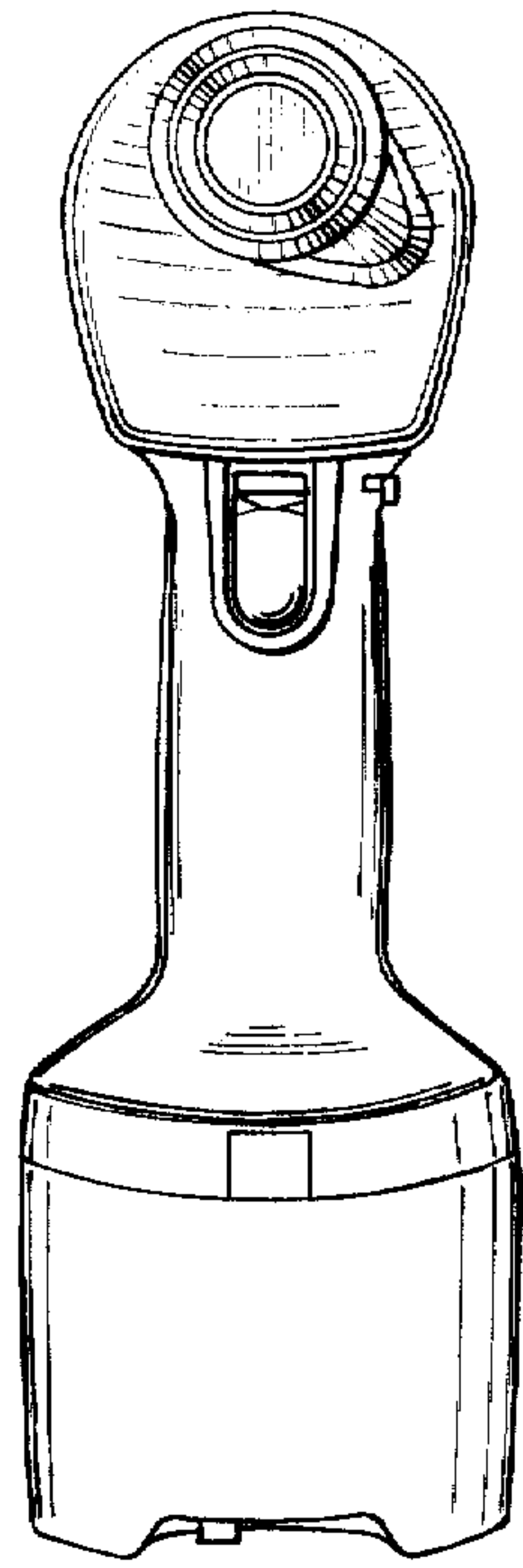


FIG. 9

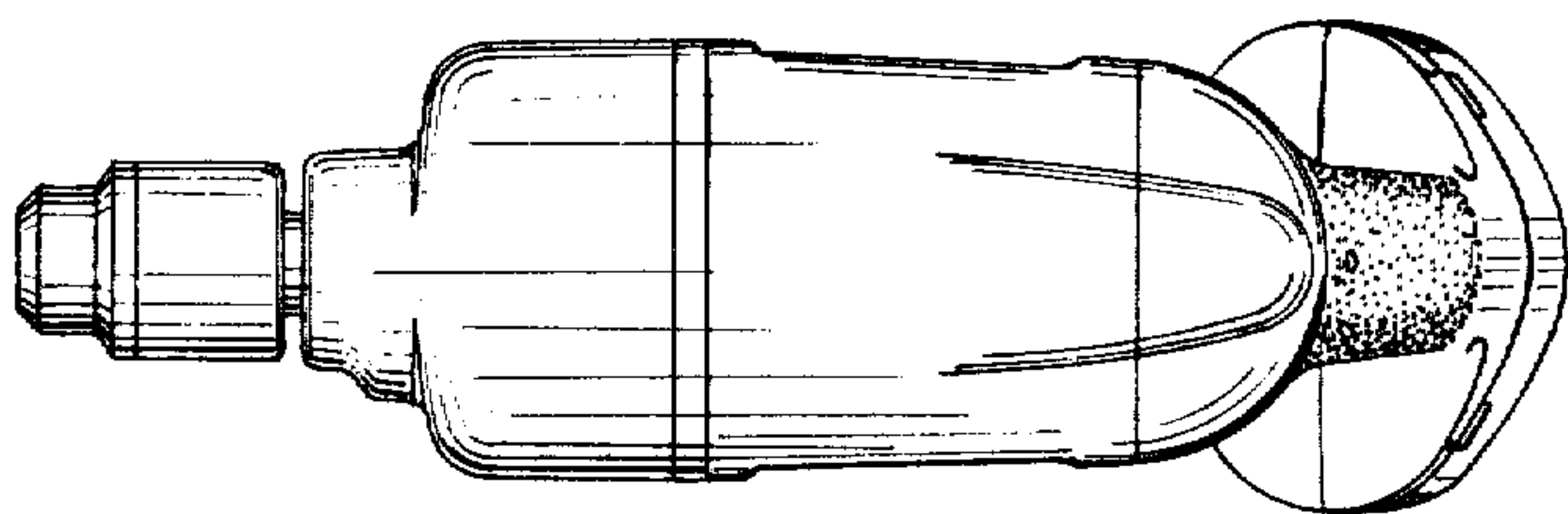


FIG. 12

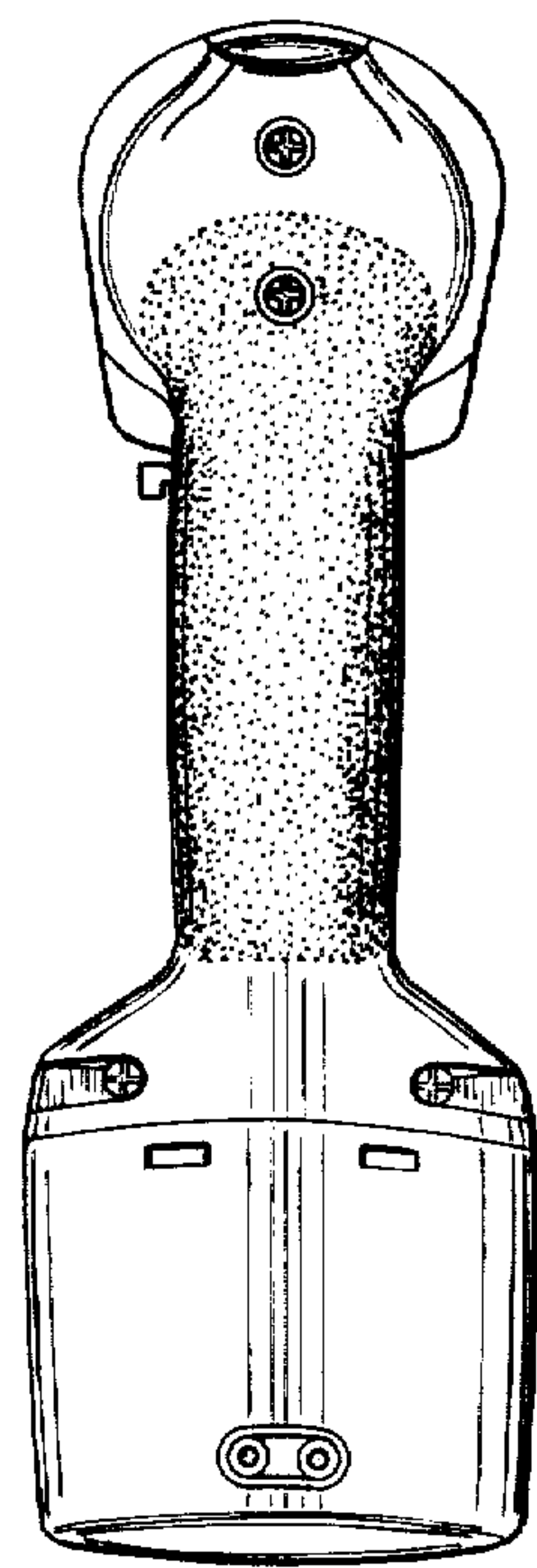
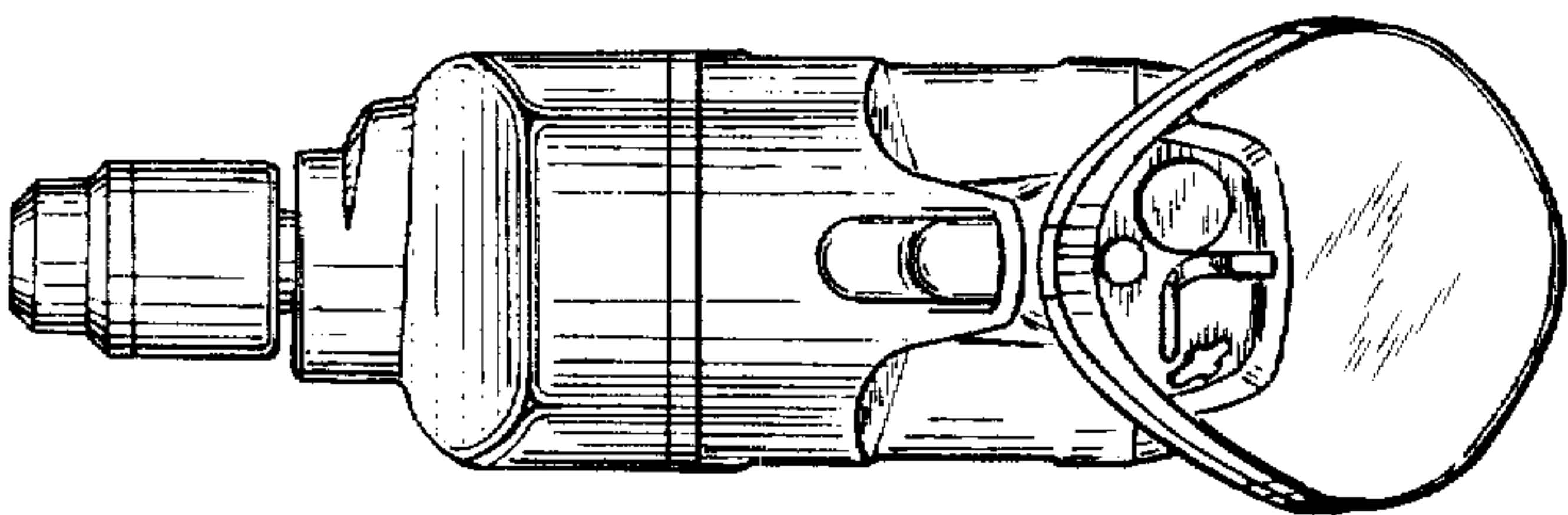


FIG. 10



REEXAMINATION CERTIFICATE (272nd)

United States Patent [19]

[11] **B1 Des. 243,652**

Zurwelle et al.

[45] **Certificate Issued Nov. 20, 1984**

- [54] **CORDLESS ELECTRIC TOOL**
- [75] **Inventors:** Donald W. Zurwelle, Lutherville; Lee W. Ramstrom, Kingsville; Stanley A. Markle, Lutherville, all of Md.
- [73] **Assignee:** The Black and Decker Manufacturing Company, Towson, Md.

3,121,813	2/1964	Pratt et al.	310/50
3,213,303	10/1965	Riley, Jr. et al.	310/50
3,432,703	3/1969	Sheps et al.	310/50
3,441,766	4/1969	Amrein et al.	310/239
3,494,799	2/1970	Pedone, Jr.	136/173
3,533,119	10/1970	Dokos	15/22
3,734,207	5/1973	Fishbein	173/163
3,905,429	9/1975	Berger	173/163

Reexamination Request:
No. 90/000,519, Mar. 2, 1984

FOREIGN PATENT DOCUMENTS

956936 2/1962 United Kingdom .

Reexamination Certificate for:
 Patent No.: Des. 243,652
 Issued: Mar. 15, 1977
 Appl. No.: 600,262
 Filed: Jul. 31, 1975

OTHER PUBLICATIONS

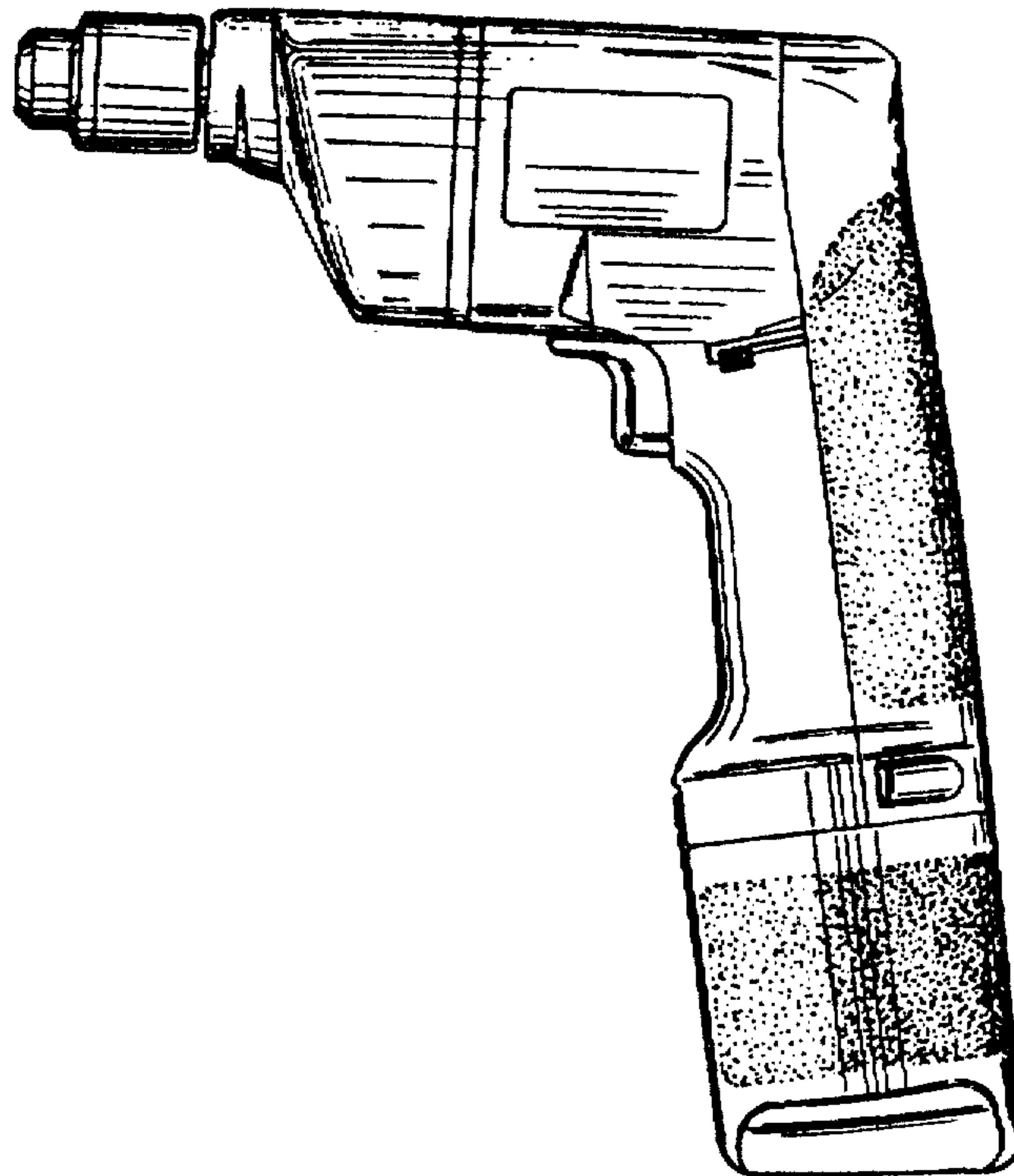
"Quality Electric Power Tools for Industry & Construction Trades", published by Black & Decker Company, (2 page advertisement).
 "Now There's a Cordless Drill", 1 page brochure by Skil Corporation.
 "The Rockwell Battery Drill, Because Cords are a Drag," (4 page brochure), published by Power Tool Division, Rockwell International, dated: 8/74.
 "Black & Decker Consumer Catalog", dated 1972 showing drills, published by Black & Decker Mfg. Co.
 "Special Cordless Power Tools for the Automotive Industry", (4 page brochure), published by The Black & Decker Mfg. Co.

- [52] **U.S. Cl.** D8/68
 [58] **Field of Search** D8/68

[56] **References Cited**
U.S. PATENT DOCUMENTS

D. 198,230	5/1964	Babel et al.	D64/14
D. 205,631	8/1966	Averitt et al.	D54/14
D. 228,475	9/1973	Fishbein	D83/12
873,123	4/1907	Gardy .	
3,109,238	11/1961	Marks	32/27

Primary Examiner—Catherine E. Kemper



**REEXAMINATION CERTIFICATE
ISSUED UNDER 35 U.S.C. 307.**

NO AMENDMENTS HAVE BEEN MADE TO
THE PATENT.

AS A RESULT OF REEXAMINATION, IT HAS
BEEN DETERMINED THAT:

5 The patentability of the claim is confirmed.

* * * * *

10

15

20

25

30

35

40

45

50

55

60

65