

[54] **DISPLAY STAND FOR NECKLACES OR THE LIKE**

[75] **Inventor: George W. Nolan, Seekonk, Mass.**

[73] **Assignee: Richton International Corporation**

[**] **Term: 14 Years**

[21] **Appl. No.: 671,508**

[22] **Filed: Mar. 29, 1976**

[51] **Int. Cl. D20-02**

[52] **U.S. Cl. D6/27**

[58] **Field of Search D6/20, 23, 24, 25, 27, D6/28, 29, 85, 141, 146, 157, 177, 179, 181-189; 211/13, 34, 36, 42, 126, 128, 134, 135, 144, 163**

[56] **References Cited**

U.S. PATENT DOCUMENTS

676,560	6/1901	Jacobs	211/163
2,390,657	12/1945	Loudermilk	211/144

3,339,745	9/1967	Sugerman	211/13
D. 166,425	4/1952	Stolz	D6/28
D. 200,032	1/1965	Starke	D6/28
D. 220,046	3/1971	Pascarella	D6/20

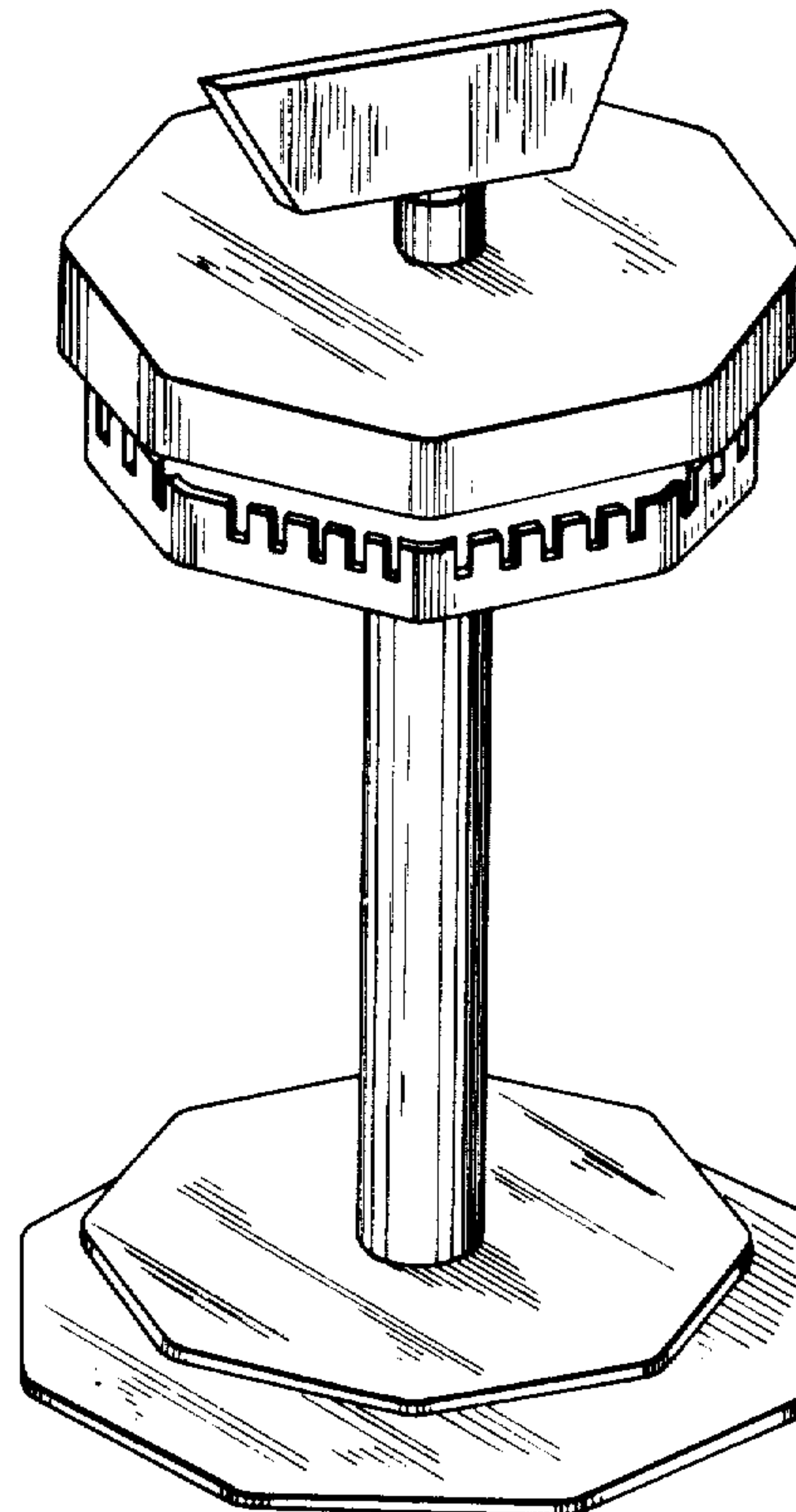
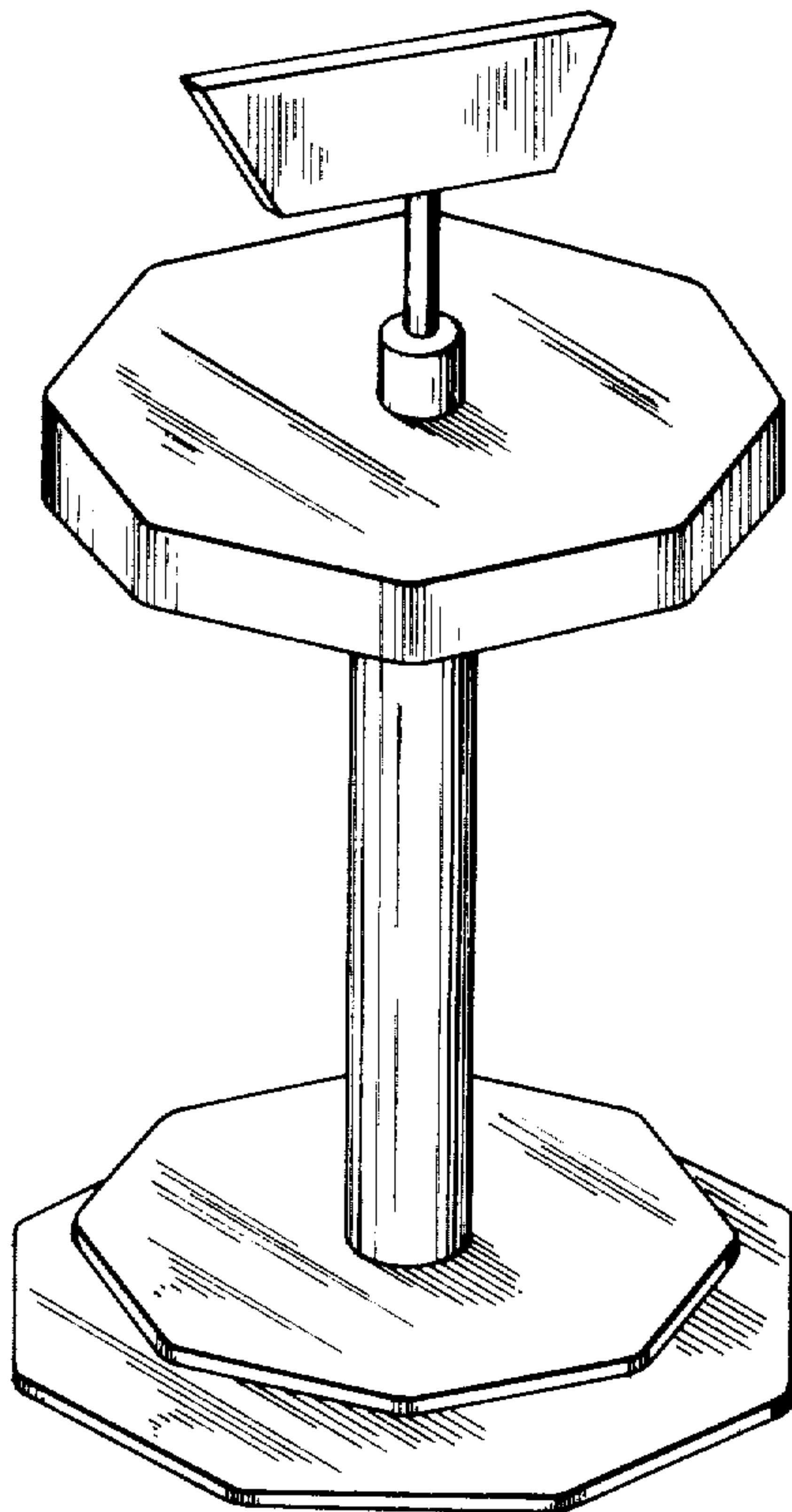
Primary Examiner—Wallace R. Burke
Assistant Examiner—B. J. Bullock
Attorney, Agent, or Firm—Elliott A. Salter

[57] **CLAIM**

The ornamental design for a display stand for necklaces or the like, substantially as shown and described.

DESCRIPTION

FIG. 1 is a perspective view of a display stand for necklaces or the like showing my new design; FIG. 2 is a perspective view thereof with the cover member shown in raised position to permit mounting or removal of the necklaces; FIG. 3 is a top plan view thereof; FIG. 4 is a side elevational view thereof; and FIG. 5 is a bottom plan view thereof.



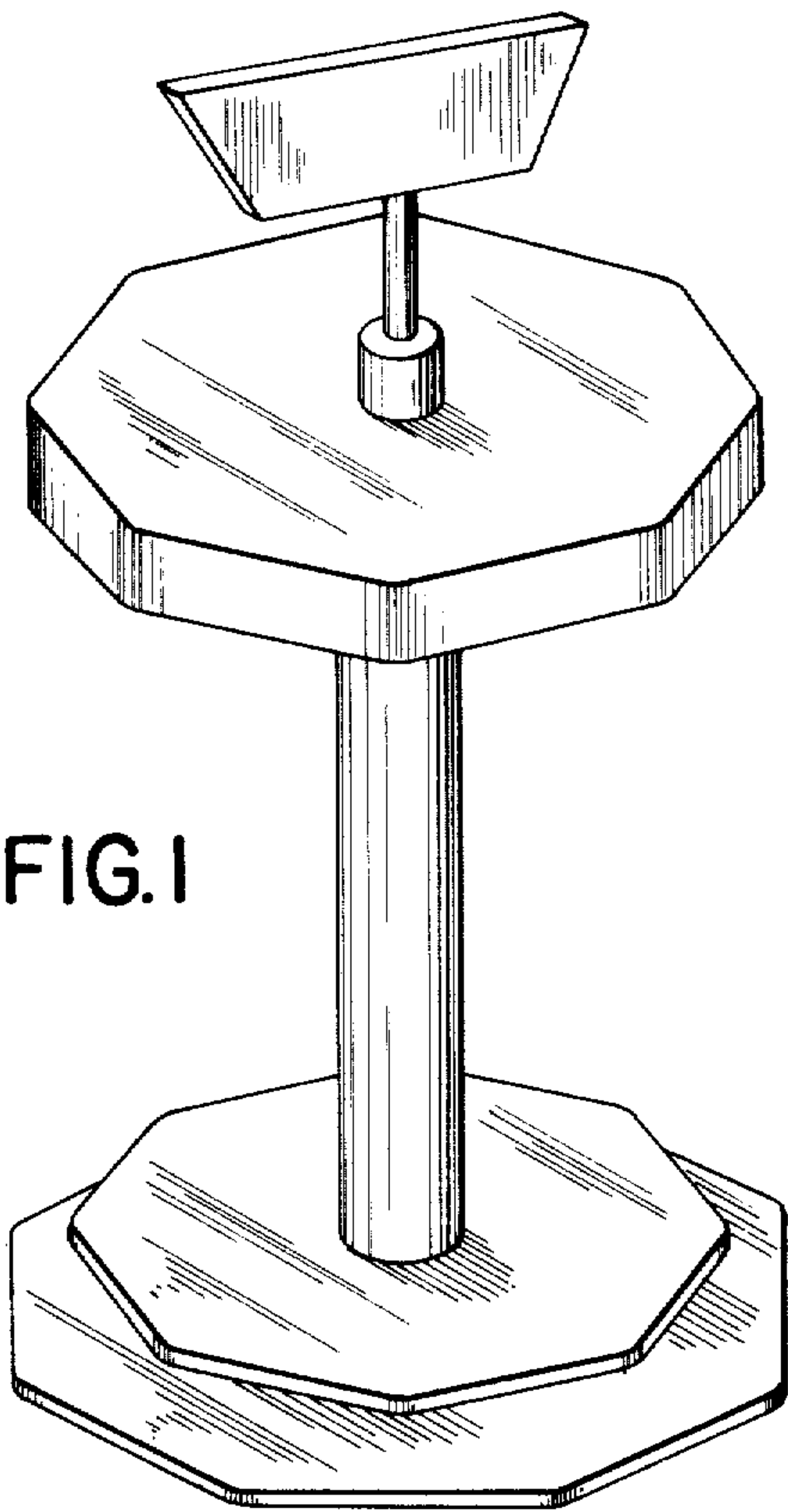


FIG. 1

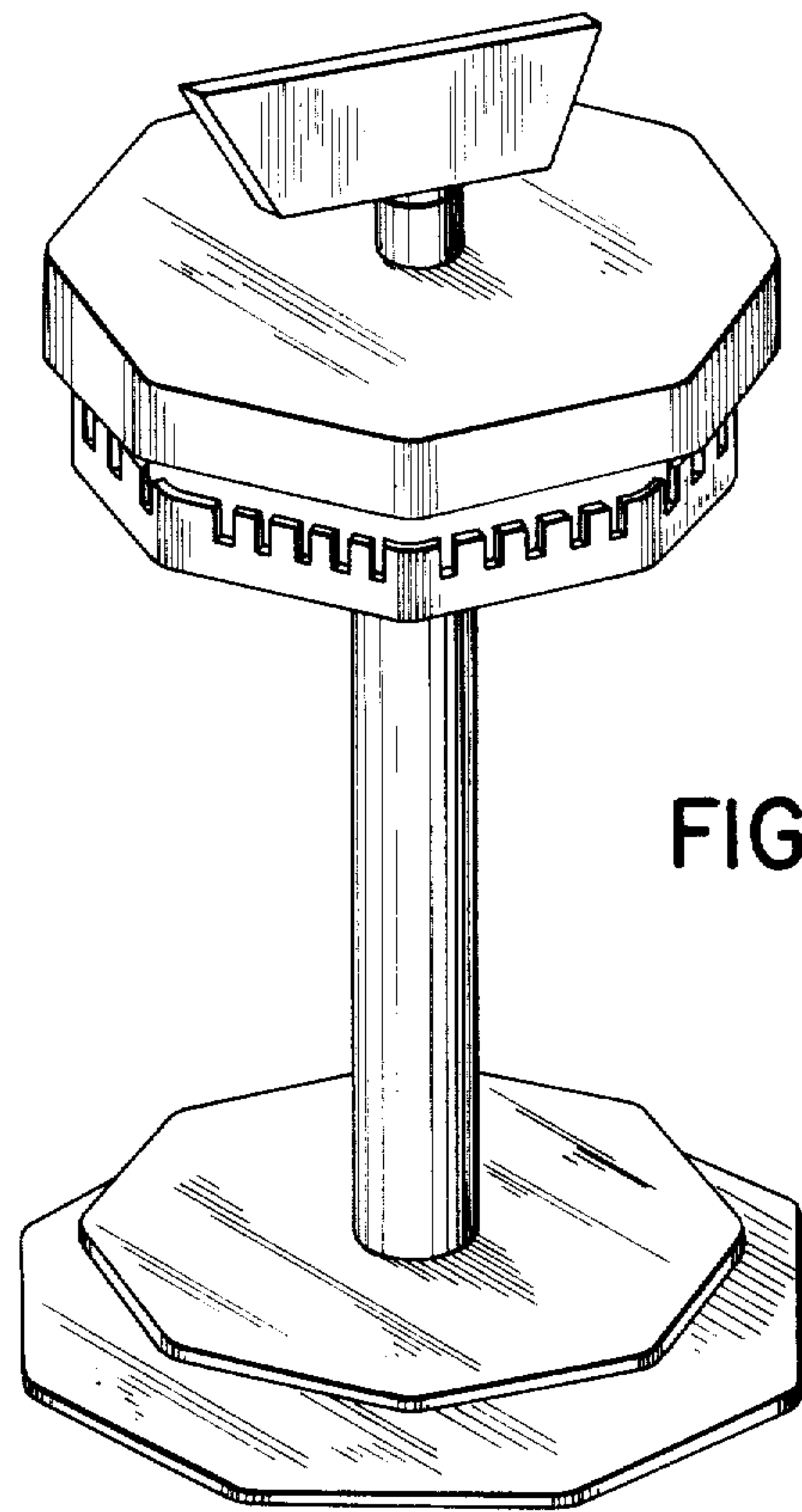


FIG. 2

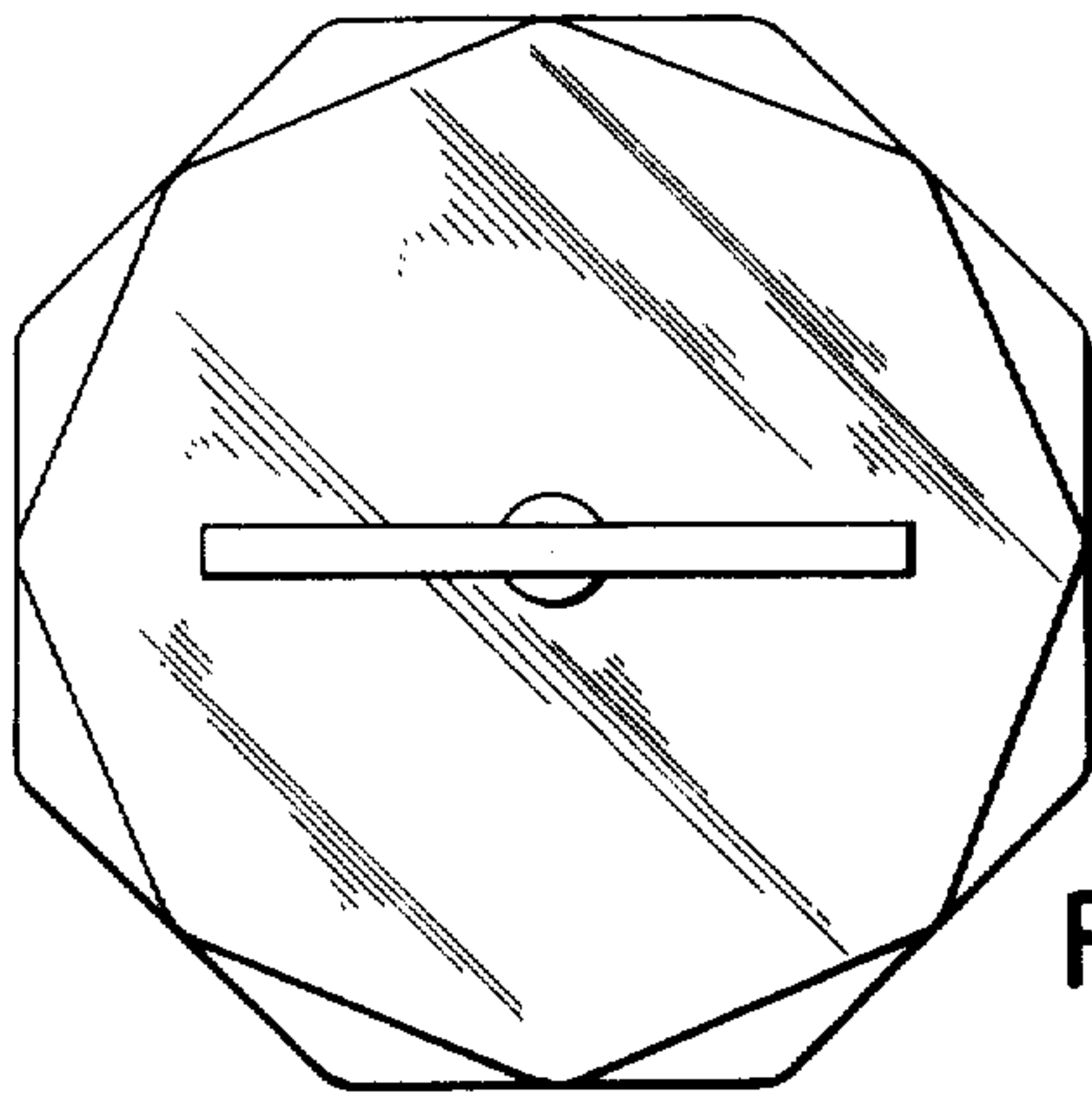


FIG. 3

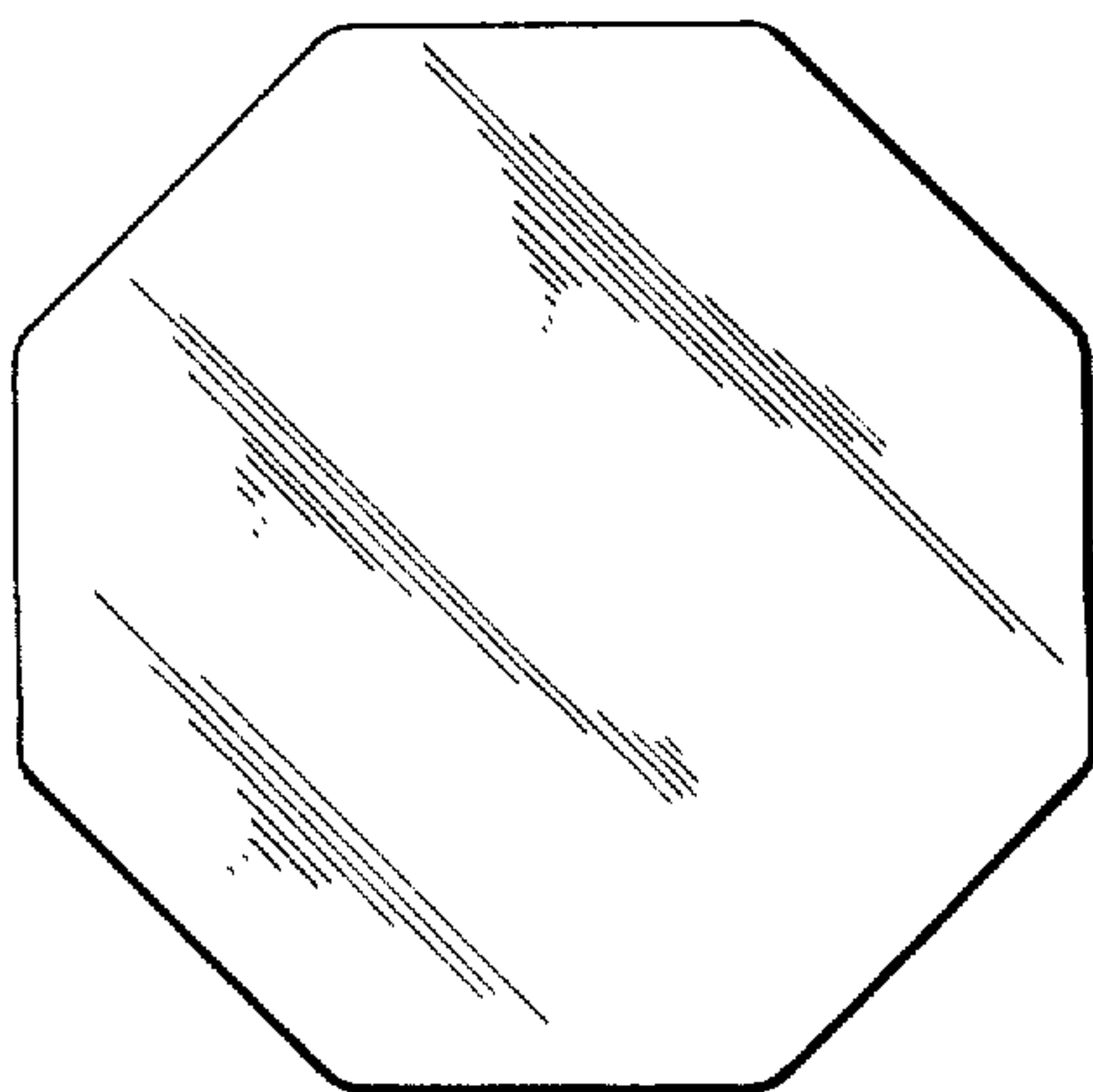


FIG. 5

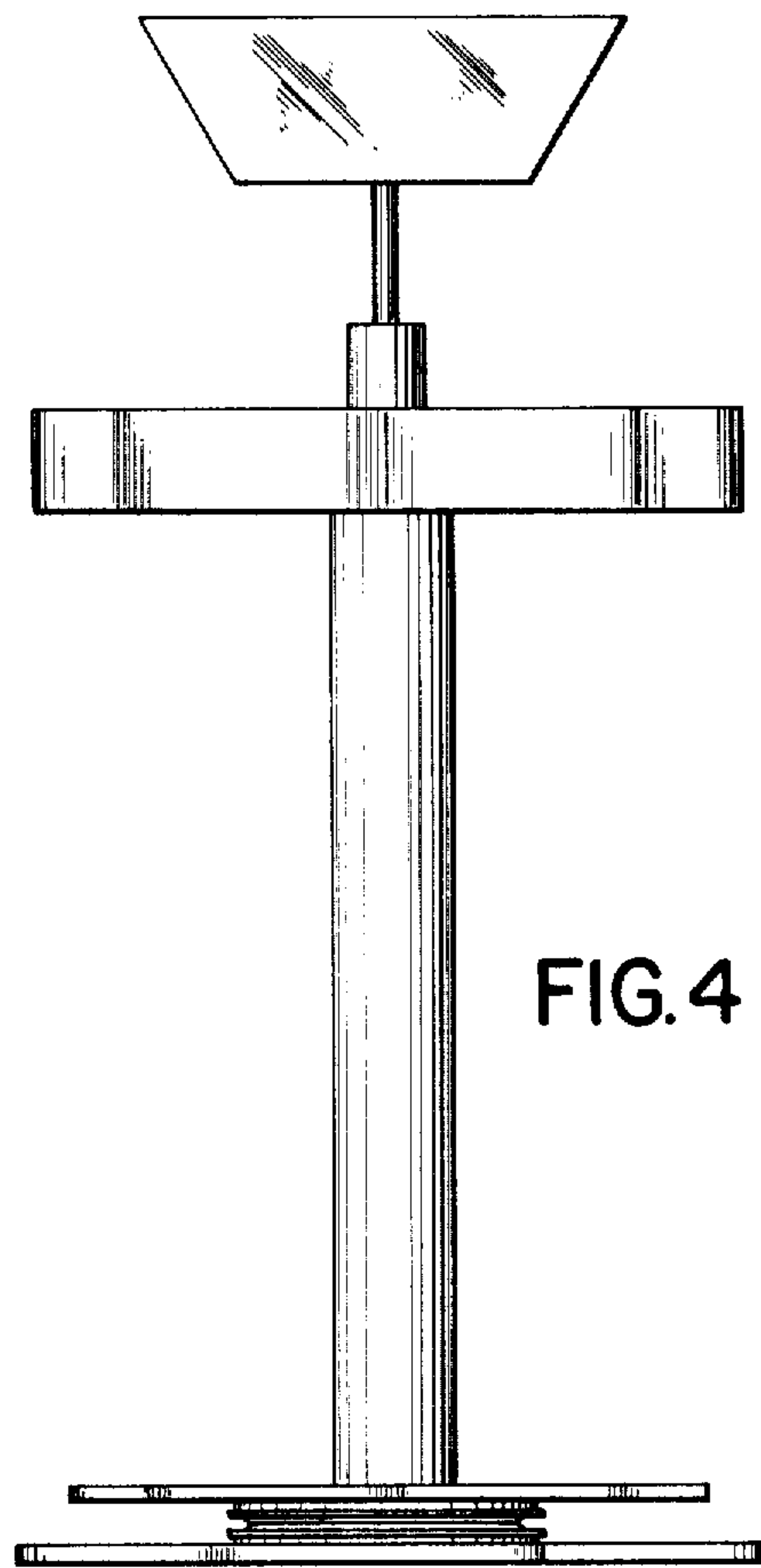


FIG. 4