

[54] **ROTARY ADVERTISING DISPLAY**
 [76] Inventor: **John J. Casparro**, 23326
 Sandalwood St., Canoga Park, Calif.
 91304
 [**] Term: **14 Years**
 [21] Appl. No.: **688,541**
 [22] Filed: **May 21, 1976**
 [51] Int. Cl. **D20-02**
 [52] U.S. Cl. **D96/12 R**
 [58] Field of Search D96/12 R; 40/128, 30,
 40/33, 44

3,798,808 3/1974 Van Wagenen 40/33
 D. 237,122 10/1975 Baker D96/12 R
Primary Examiner—Susie J. Mercer
Attorney, Agent, or Firm—John D. Bauersfeld

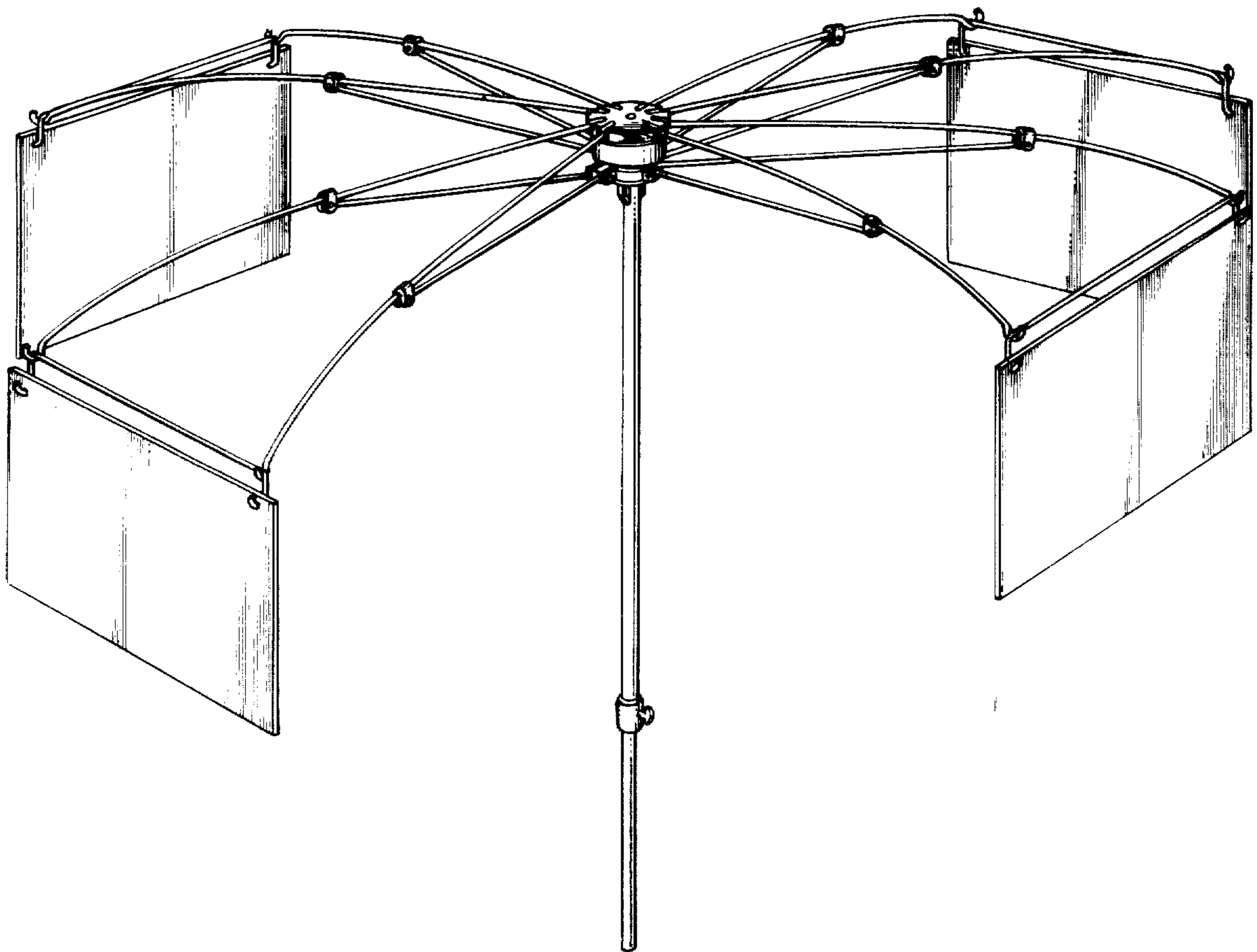
[57] **CLAIM**

The ornamental design for a rotary advertising display, substantially as shown.

DESCRIPTION

FIG. 1 is a perspective view of a rotary advertising display embodying my new design;
 FIG. 2 is a side elevational view thereof, with portions removed for compact illustration and portions broken away for clarity of illustration;
 FIG. 3 is a bottom plan view thereof; and
 FIG. 4 is an enlarged, fragmentary view, partly in cross-section of the hub arrangement thereof.

[56] **References Cited**
U.S. PATENT DOCUMENTS
 1,535,437 4/1925 Overton 40/33
 3,590,505 7/1971 Benchley 40/33
 3,665,625 5/1972 Moss 40/33



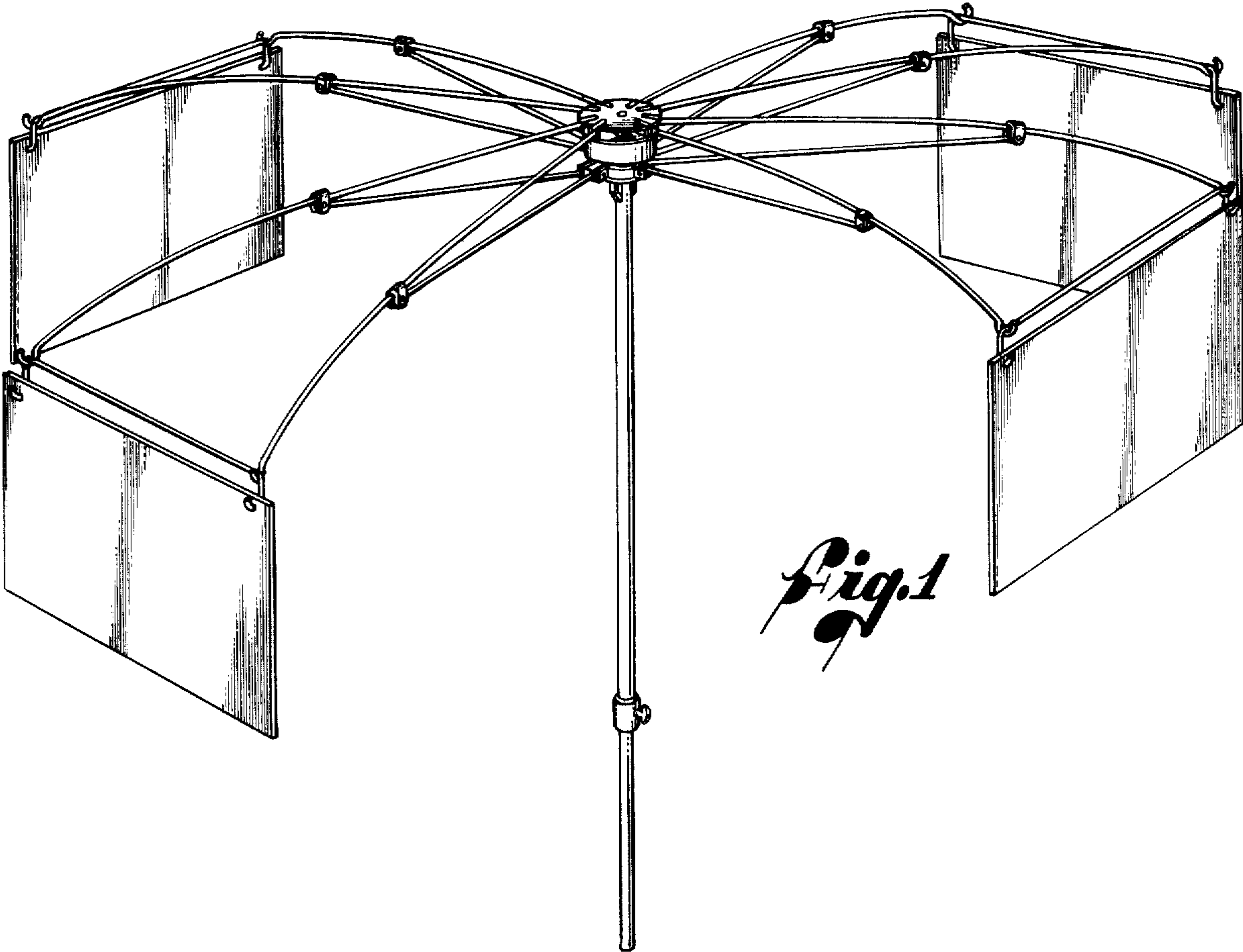


Fig. 1

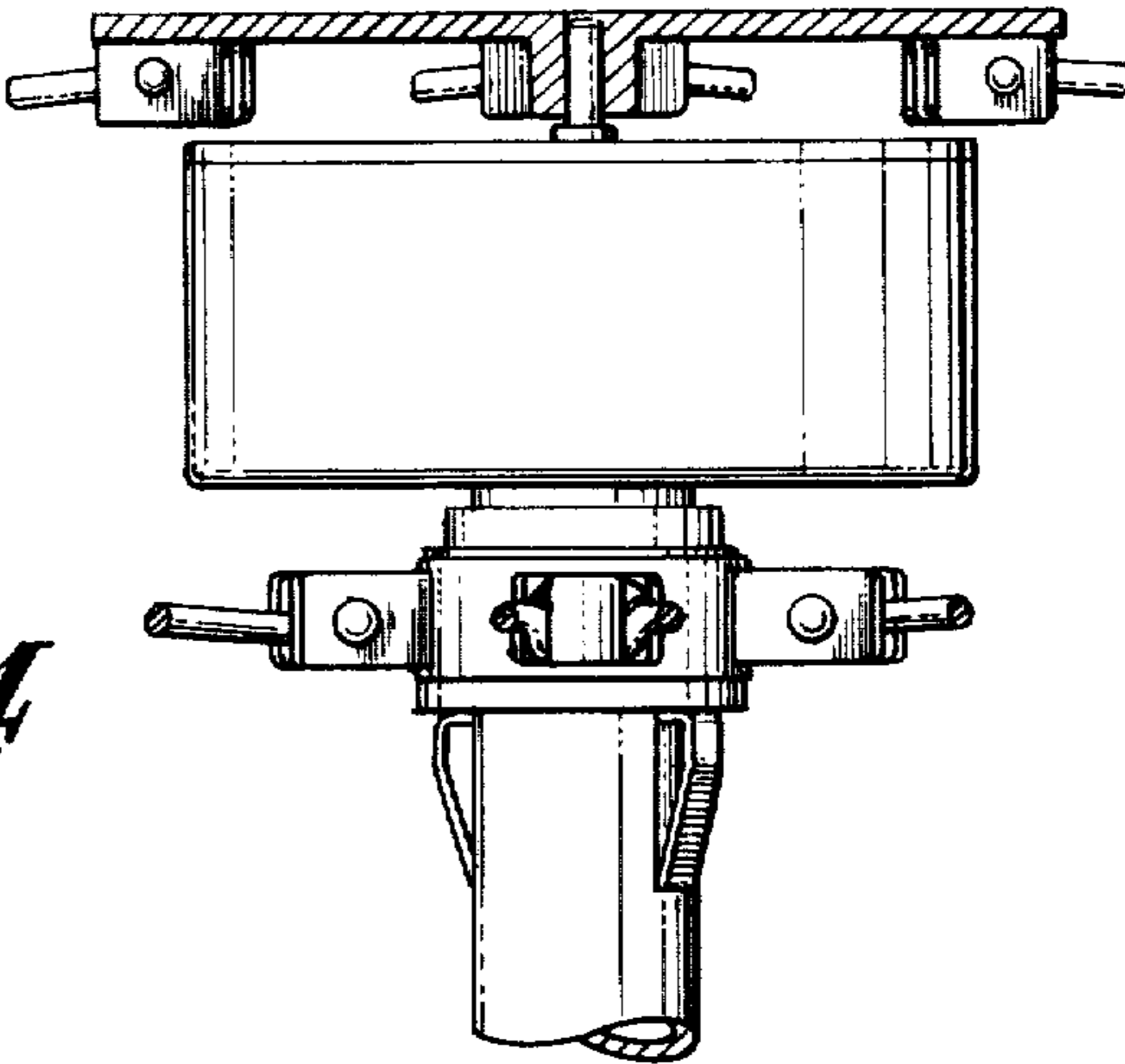


Fig. 4

Fig. 2

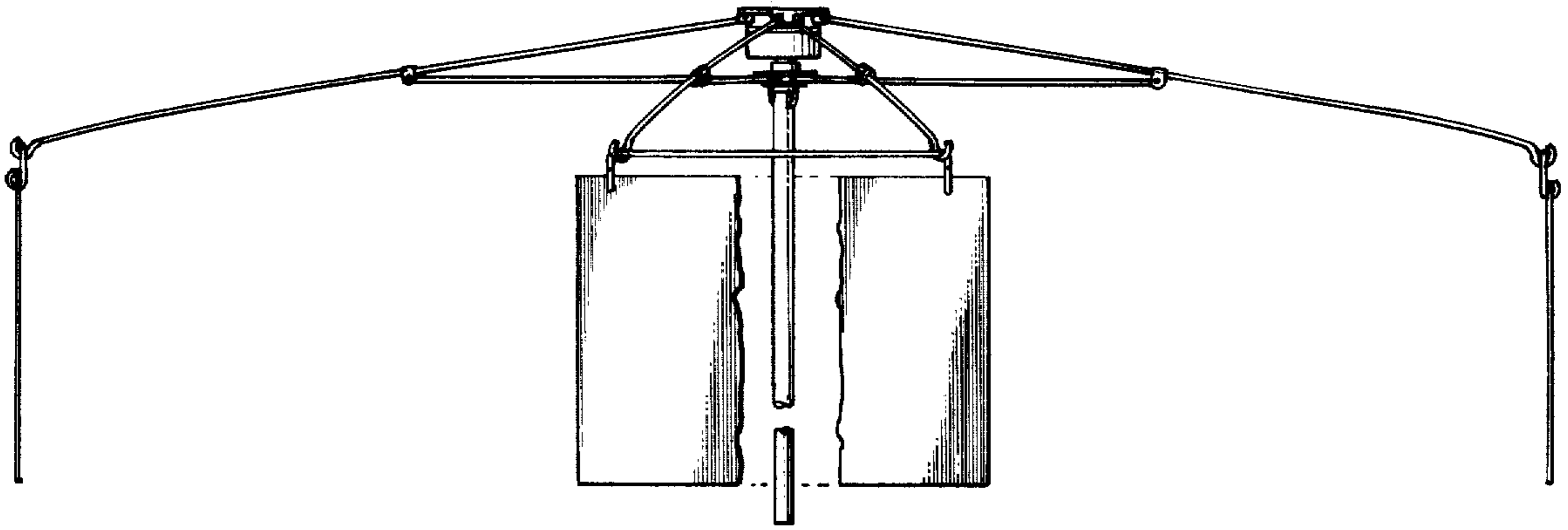


Fig. 3

