

[54] **PRESSURE RELIEF VALVE FOR RESPIRATORY INHALATION SYSTEMS**

[76] Inventor: **Bruce B. Miller**, 714 Ashley Drive, Kalamazoo, Mich. 49001

[\*\*] Term: **14 Years**

[21] Appl. No.: **598,544**

[22] Filed: **July 23, 1975**

[51] Int. Cl. .... **D29—02**

[52] U.S. Cl. .... **D83/1 L**

[58] **Field of Search** ..... 128/146.4, 142.2, 146.3, 128/DIG. 29, 17, 2.05 G; D83/1 G, 1 L; D23/21

[56] **References Cited**

**U.S. PATENT DOCUMENTS**

3,521,627 7/1970 Murray ..... 128/142

3,688,794 9/1972 Bird et al. .... 128/146.4

D. 202,319 9/1965 Shugarman ..... D83/1 L

D. 233,569 11/1974 Miller ..... D23/21

D. 234,637 3/1975 Flynn ..... D83/1 G

*Primary Examiner*—Bernard Ansher

*Attorney, Agent, or Firm*—Ian C. McLeod

[57] **CLAIM**

The ornamental design for a pressure relief valve for respiratory inhalation systems, as shown and described.

**DESCRIPTION**

FIG. 1 is a perspective view of a pressure relief valve for respiratory inhalation systems showing my new design;

FIG. 2 is a side elevational view thereof;

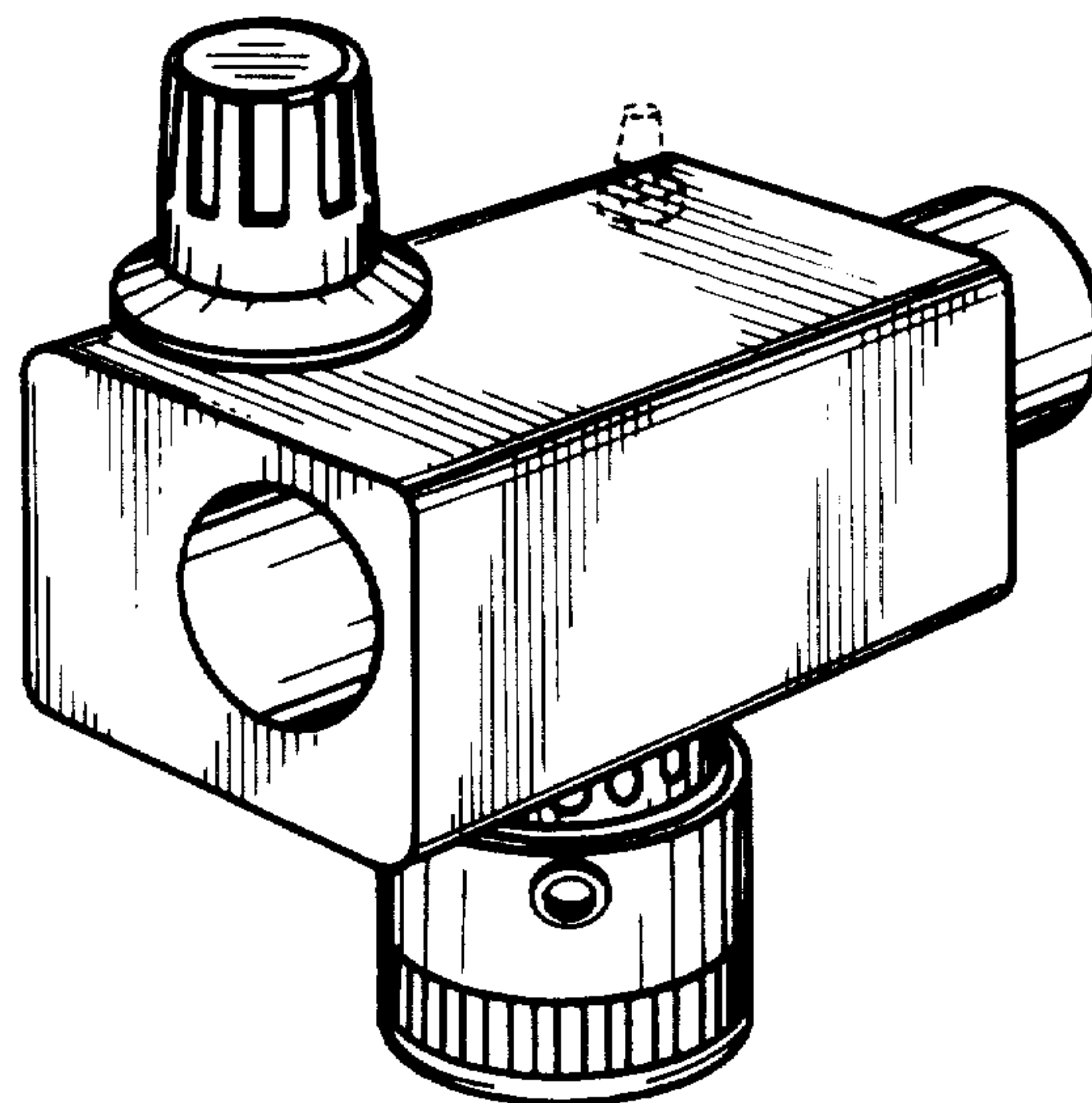
FIG. 3 is a right end elevational view thereof;

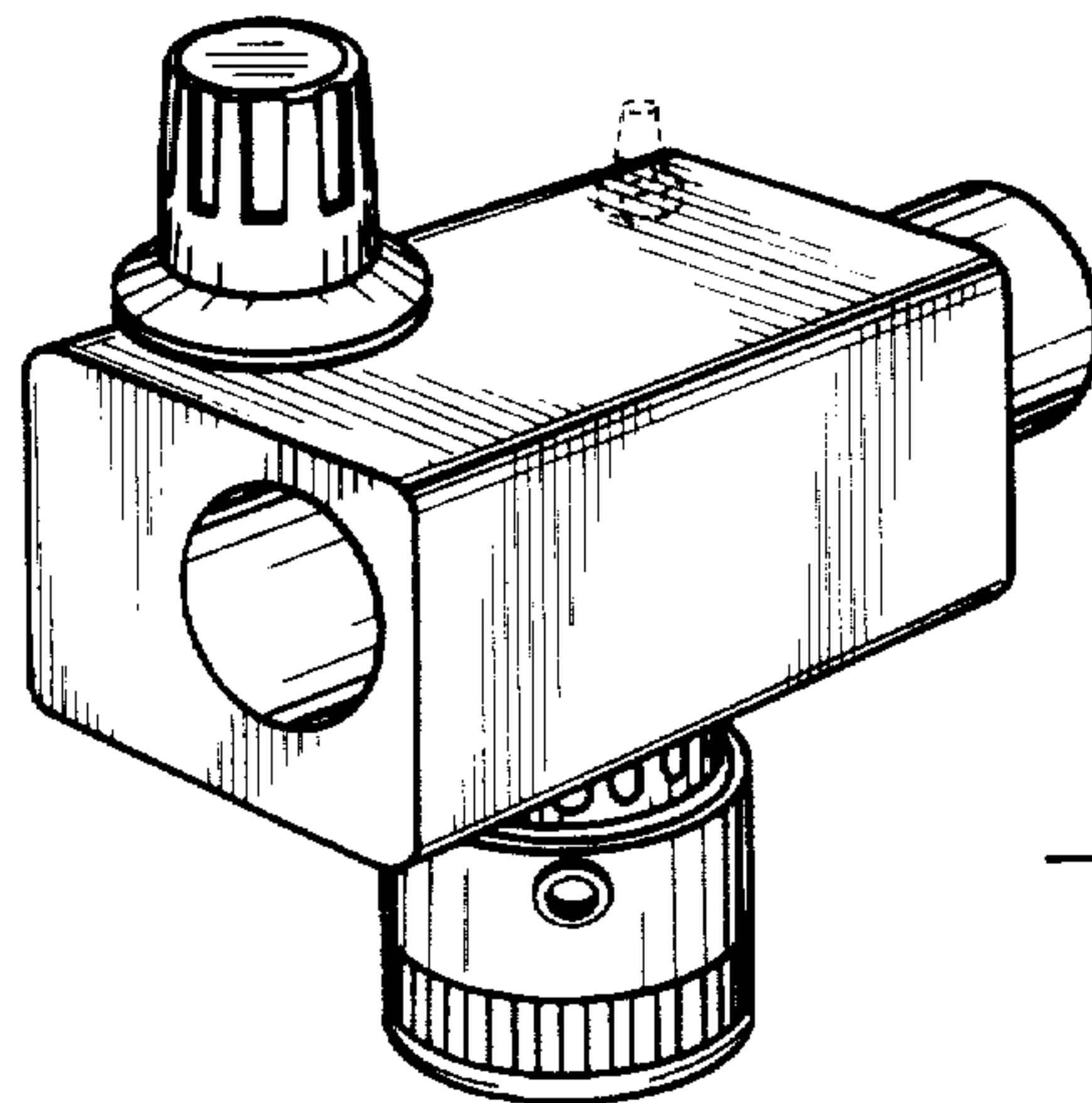
FIG. 4 is a left end elevational view thereof;

FIG. 5 is a top plan view thereof; and

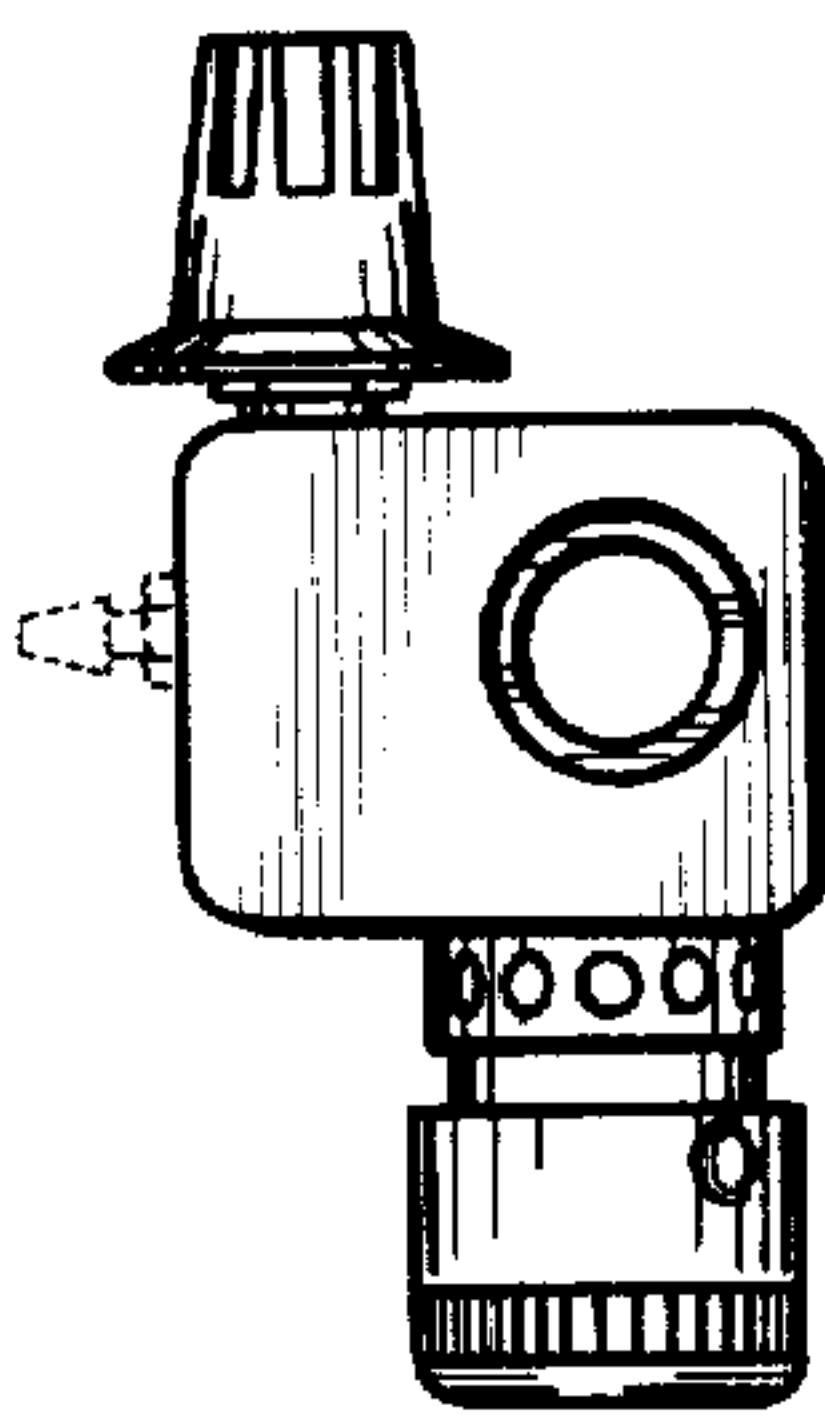
FIG. 6 is a bottom plan view thereof.

The broken lines are shown for illustrative purposes only.

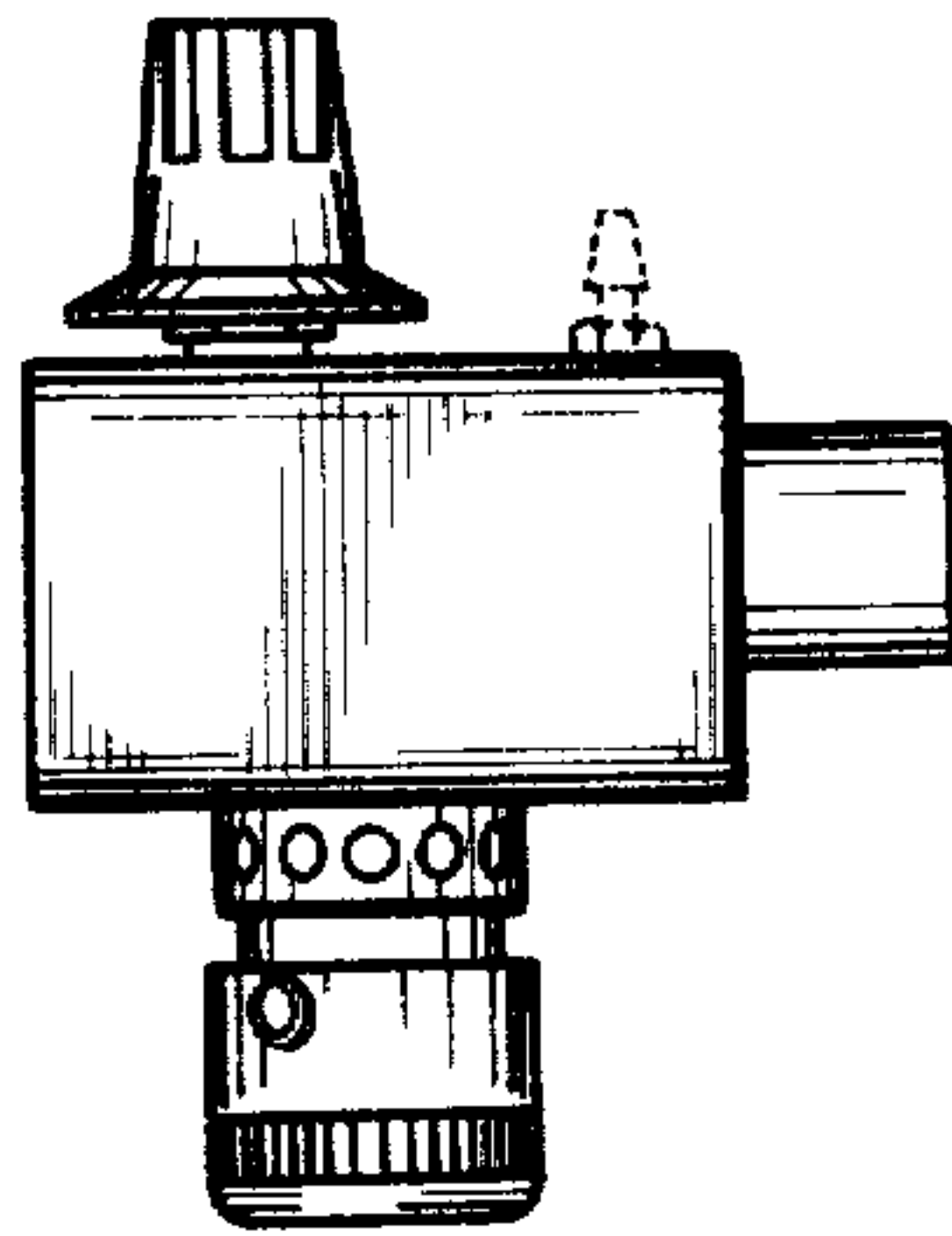




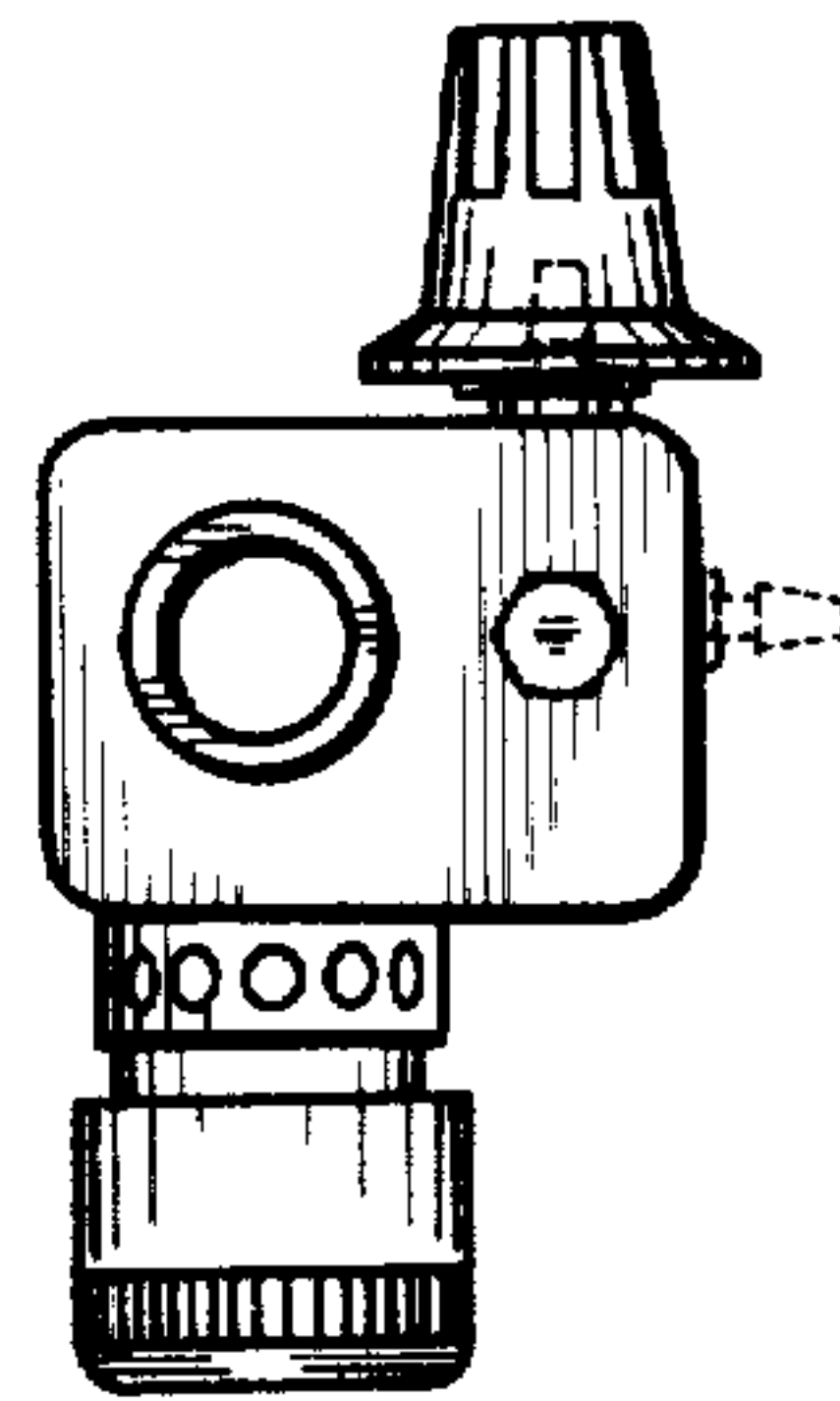
—FIG. 1



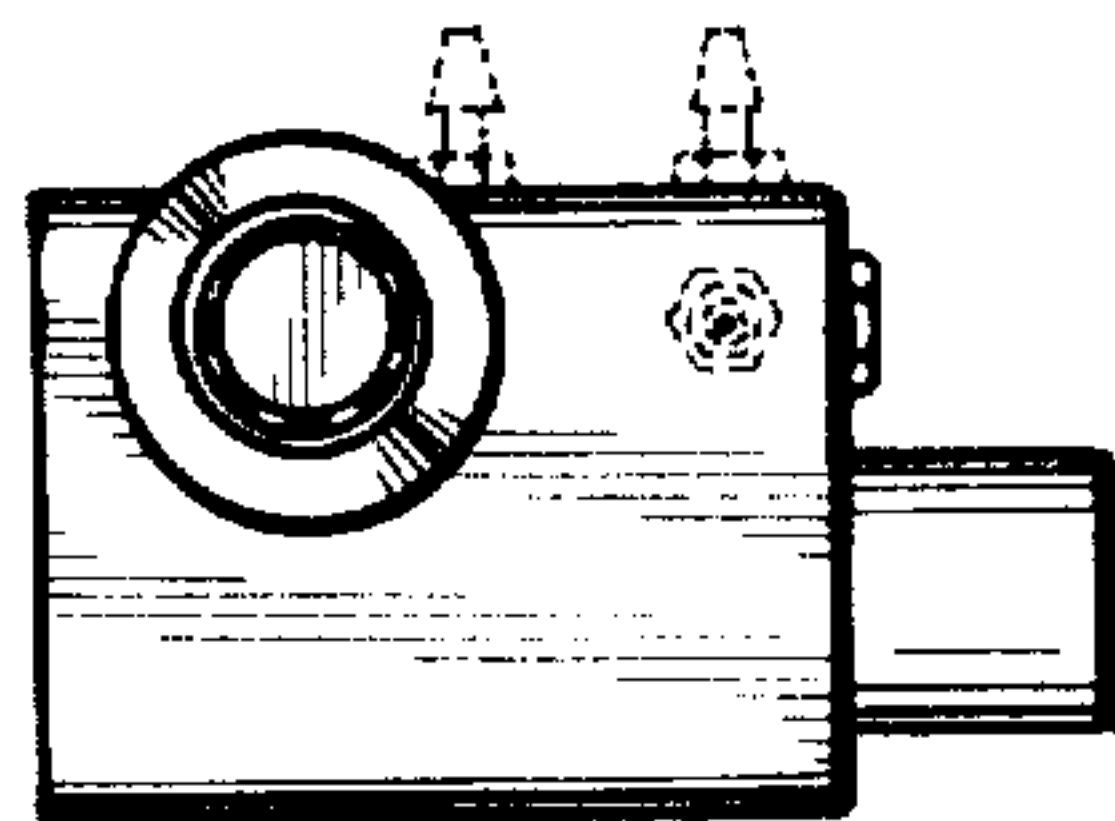
—FIG. 4



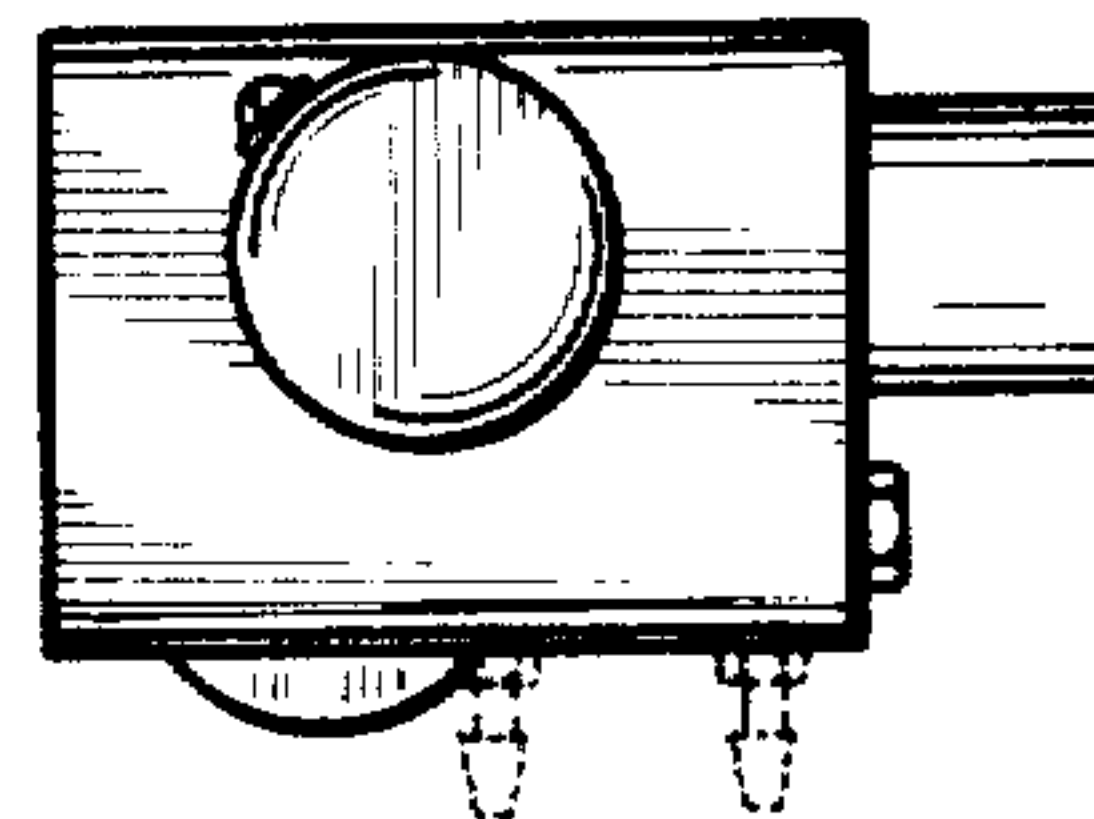
—FIG. 2



—FIG. 3



—FIG. 5



—FIG. 6