

[54] SOAP BAR

[76] Inventor: David J. Morrison, 1402 S. 78th St., Omaha, Nebr. 68124

[**] Term: 14 Years

[21] Appl. No.: 609,409

[22] Filed: Sept. 2, 1975

[51] Int. Cl. D28-02

[52] U.S. Cl. D73/1 A

[58] Field of Search D73/1 A; D18/2 R; 252/DIG. 16, 90, 134, 174, 367

[56] References Cited

U.S. PATENT DOCUMENTS

- 282,145 7/1883 Wisley D73/1 A
- 1,422,146 7/1922 Tackenberg D18/2 R

- 1,495,896 5/1924 Ferguson D18/2 R
- 1,587,279 6/1926 Burgher D73/1 A

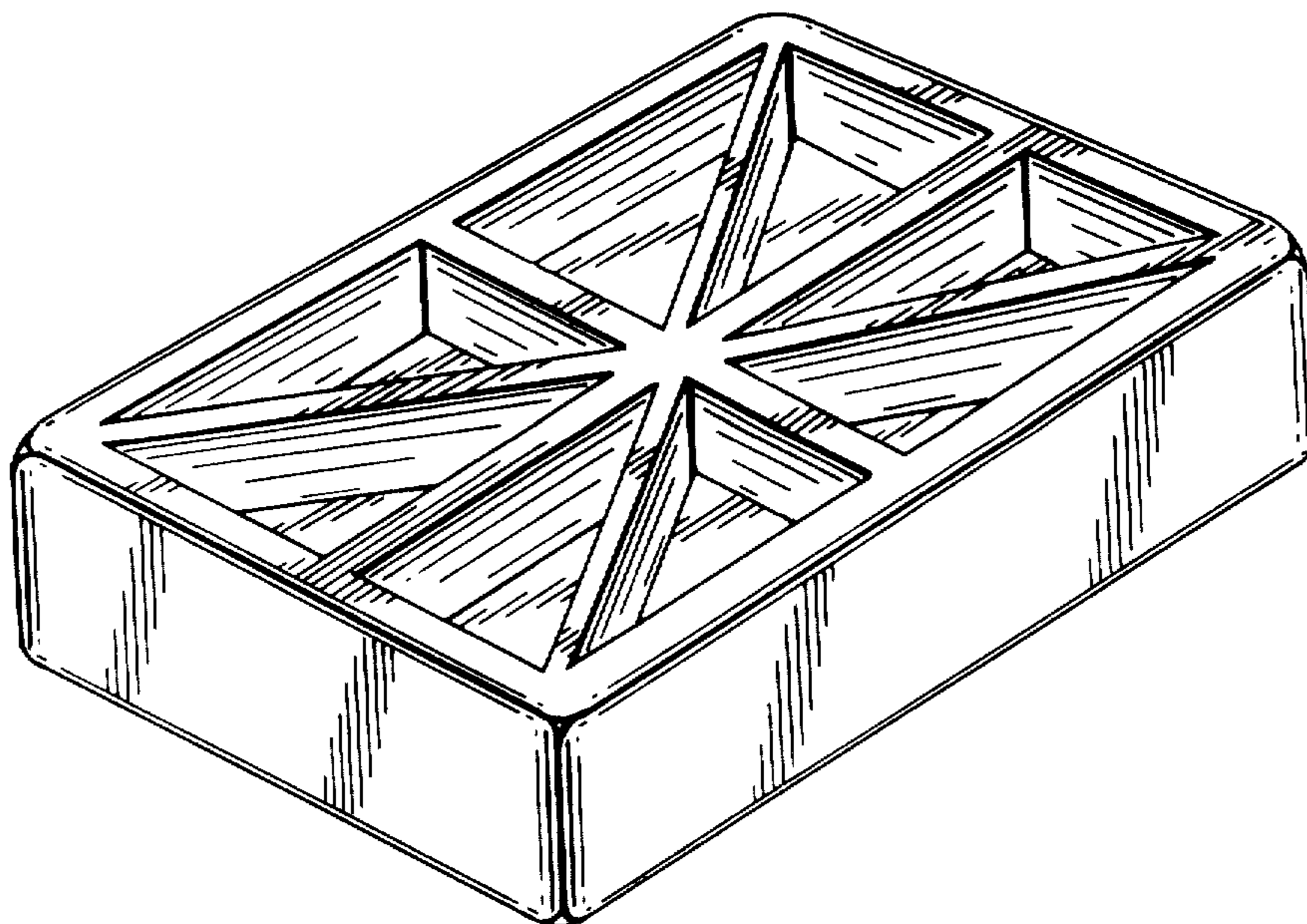
Primary Examiner—Joel Stearman
Assistant Examiner—Louis S. Zarfes
Attorney, Agent, or Firm—Louis J. Strom

[57] CLAIM

The ornamental design for a soap bar, substantially as shown and described.

DESCRIPTION

FIG. 1 is a perspective view of a soap bar showing my new design;
FIG. 2 is a top plan view thereof and the bottom plan view thereof is substantially identical; and
FIG. 3 is a sectional view taken along the lines 3—3 in FIG. 2.



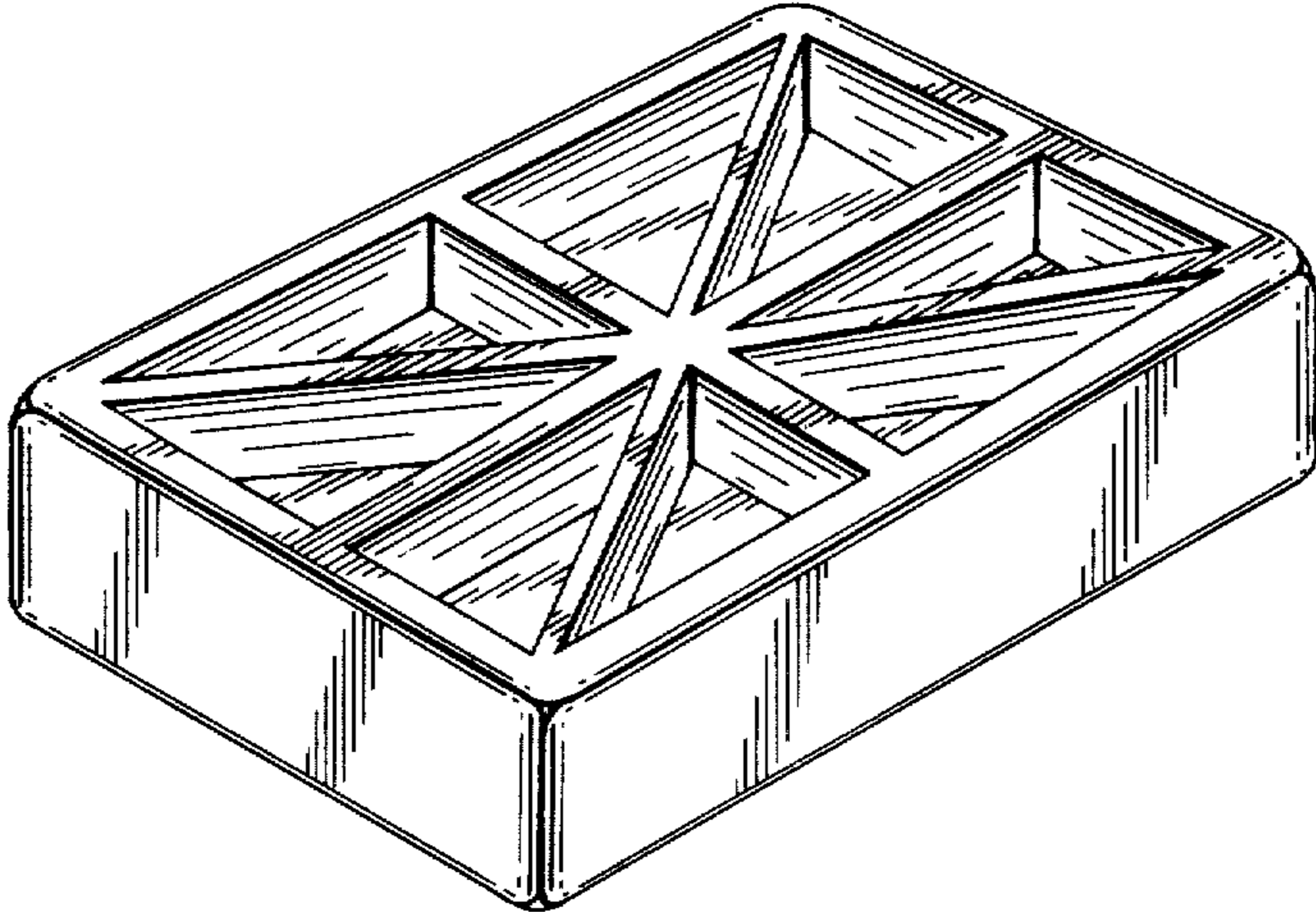


FIG. 1

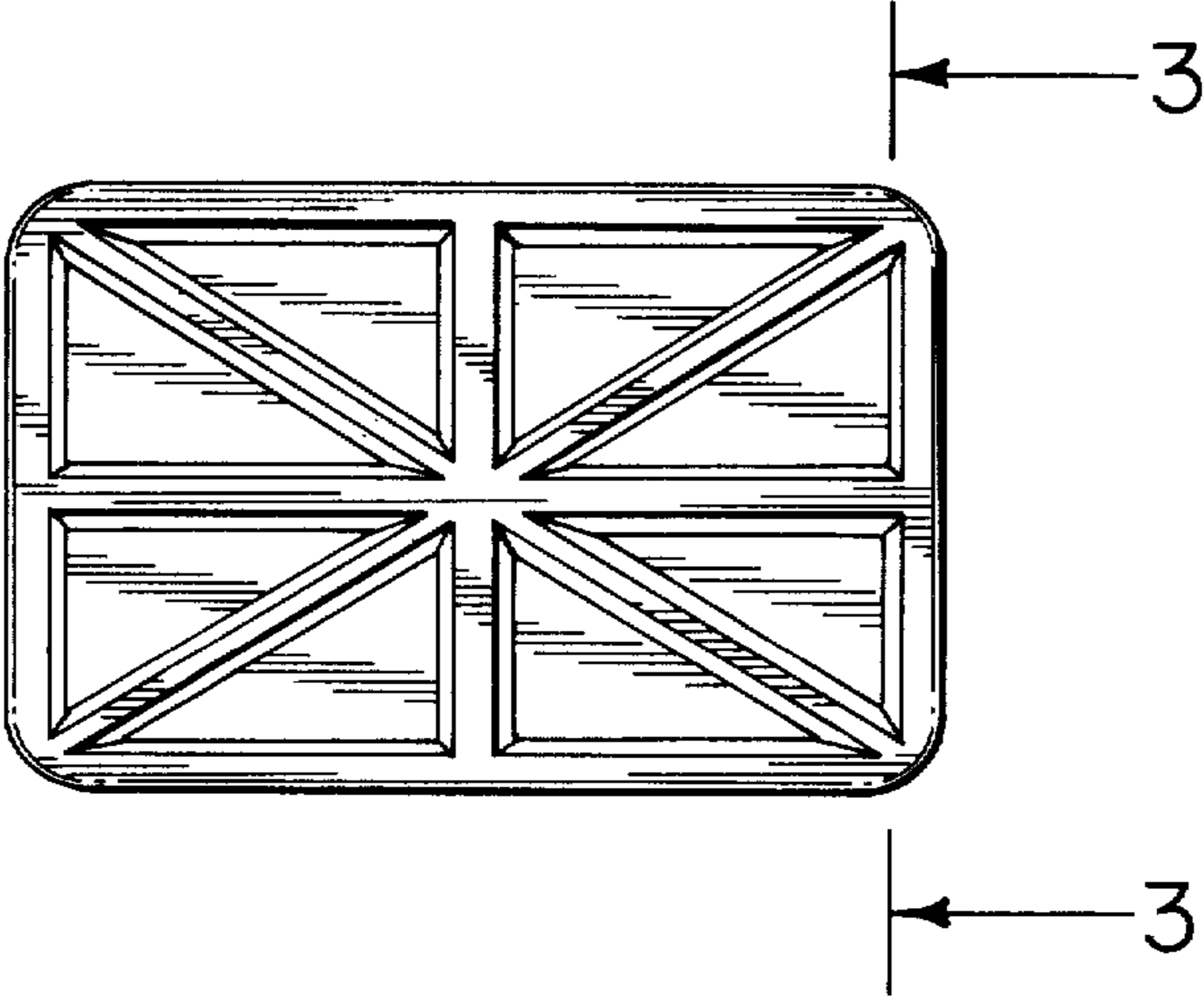


FIG. 2

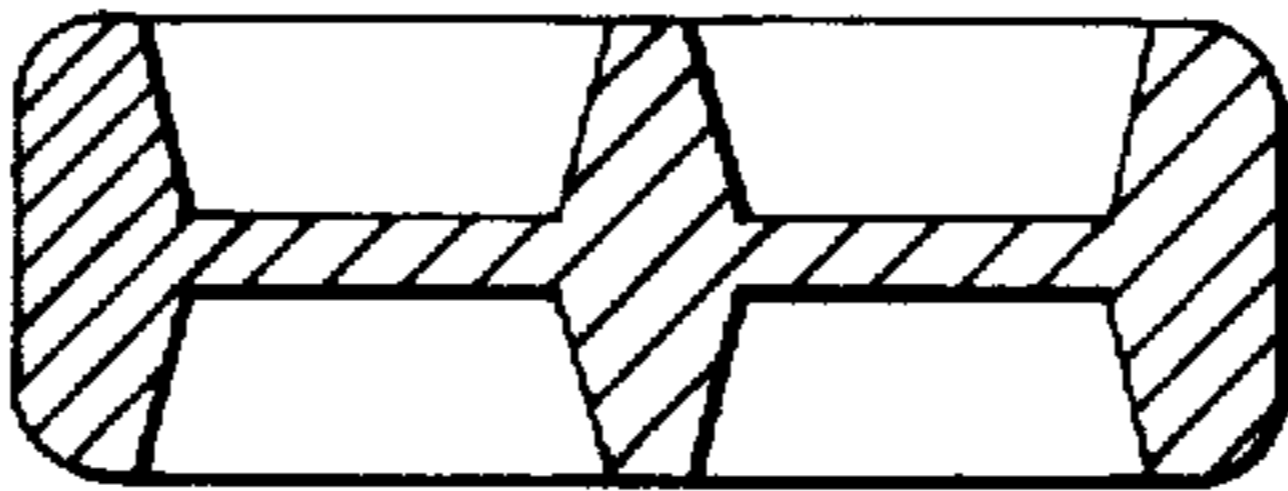


FIG. 3