

[54] SOAP BAR

[76] Inventor: David J. Morrison, 1402 S. 78th St., Omaha, Nebr. 68127

[**] Term: 14 Years

[21] Appl. No.: 578,375

[22] Filed: May 19, 1975

[51] Int. Cl. D28-02

[52] U.S. Cl. D73/1 A

[58] Field of Search D73/1 A; D18/2 R; 252/DIG. 16, 90, 174, 367, 134; D25/80

[56] References Cited

U.S. PATENT DOCUMENTS

1,587,279	6/1926	Burgher	D73/1 A
1,688,902	10/1928	Straight	D18/2 R
3,382,632	5/1968	Grofcsik	D18/2 R

D. 99,087 3/1936 Jones D18/2 R

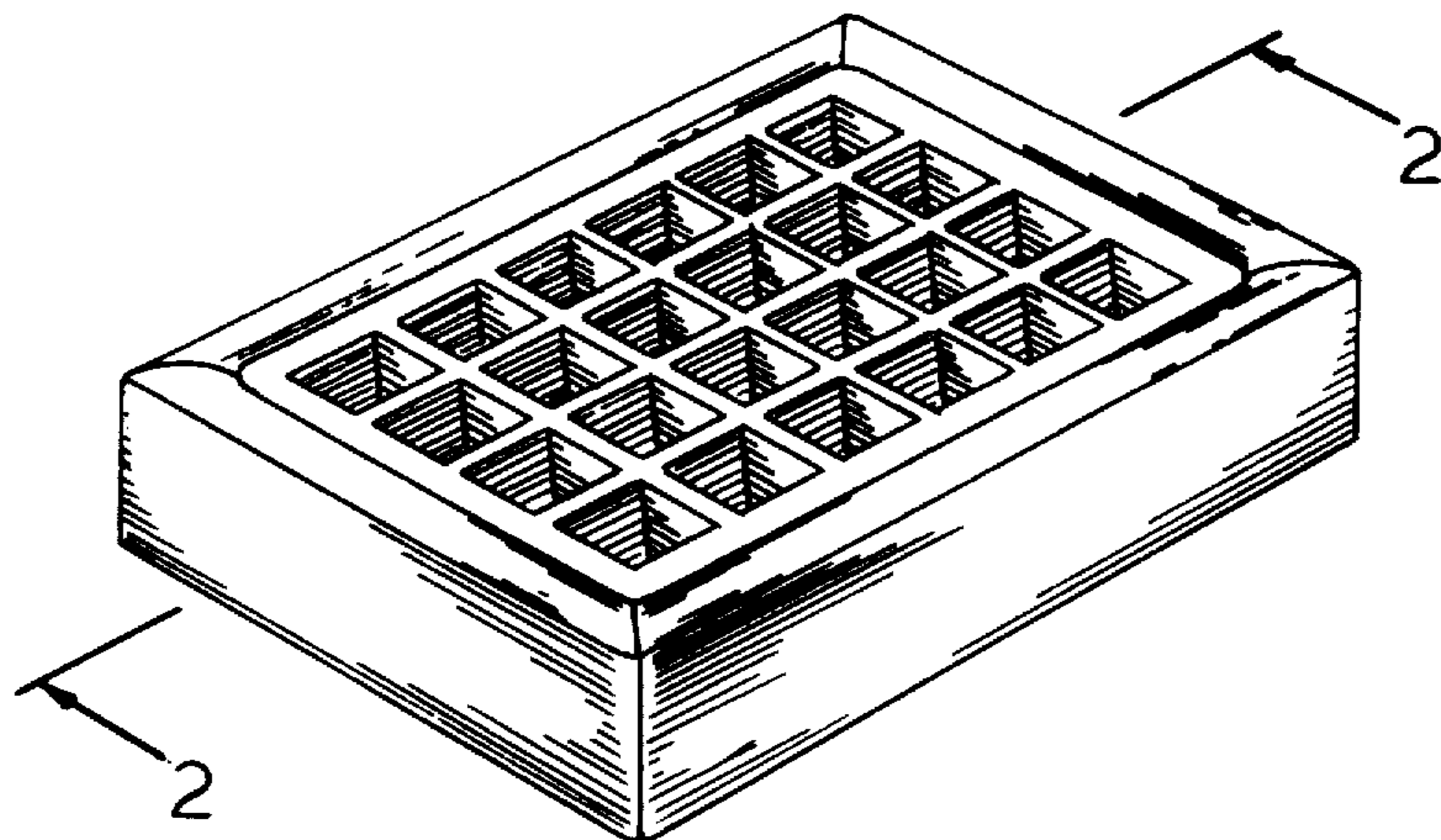
Primary Examiner—Joel Stearman
Assistant Examiner—Louis S. Zarfes
Attorney, Agent, or Firm—Louis J. Strom

[57] CLAIM

The ornamental design for a soap bar, substantially as shown and described.

DESCRIPTION

FIG. 1 is a perspective view of a soap bar showing my new design;
FIG. 2 is a sectional view taken along the lines 2 — 2 in FIG. 1;
FIG. 3 is an end view thereof;
FIG. 4 is a top plan view thereof, and the bottom is substantially identical.



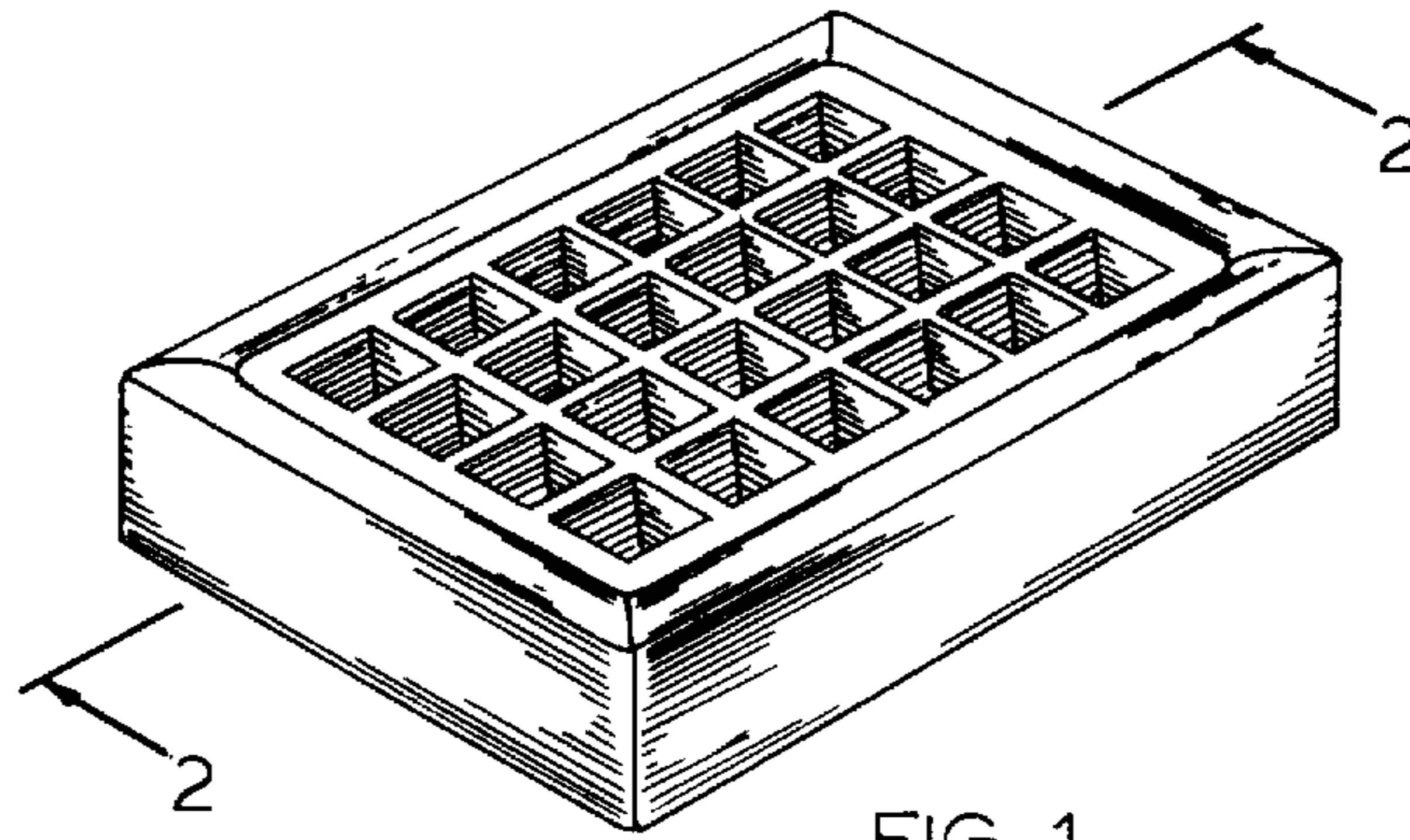


FIG. 1

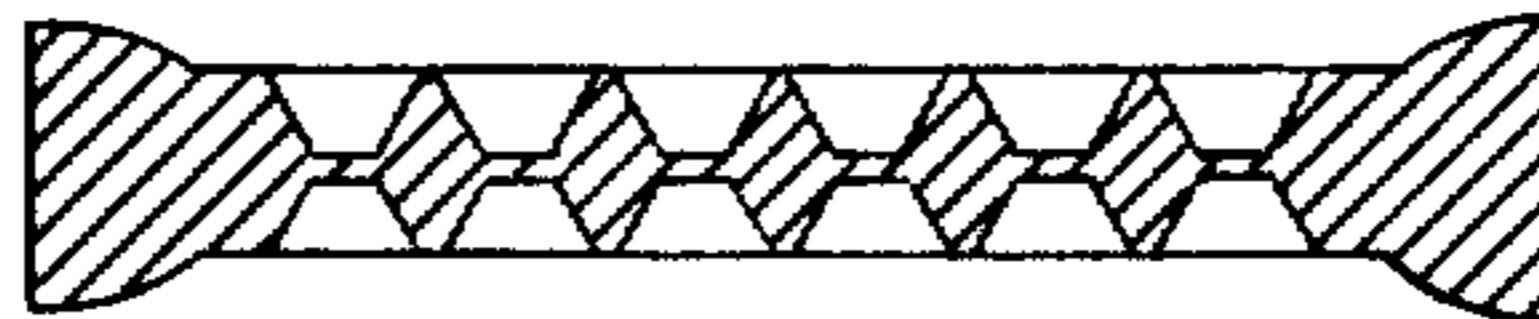


FIG. 2

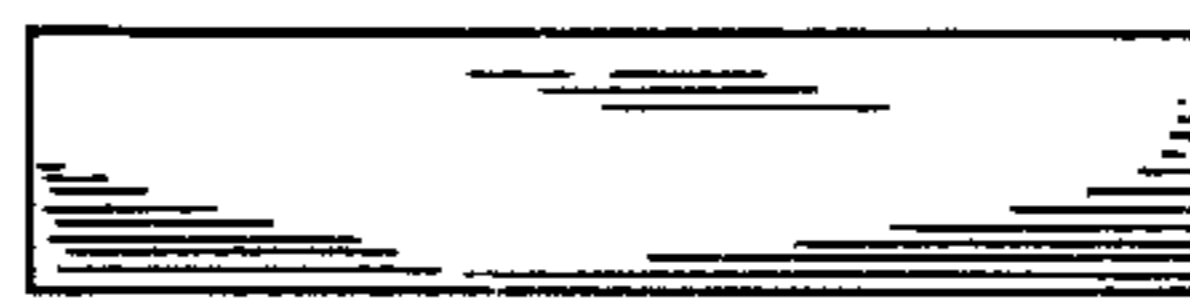


FIG. 3

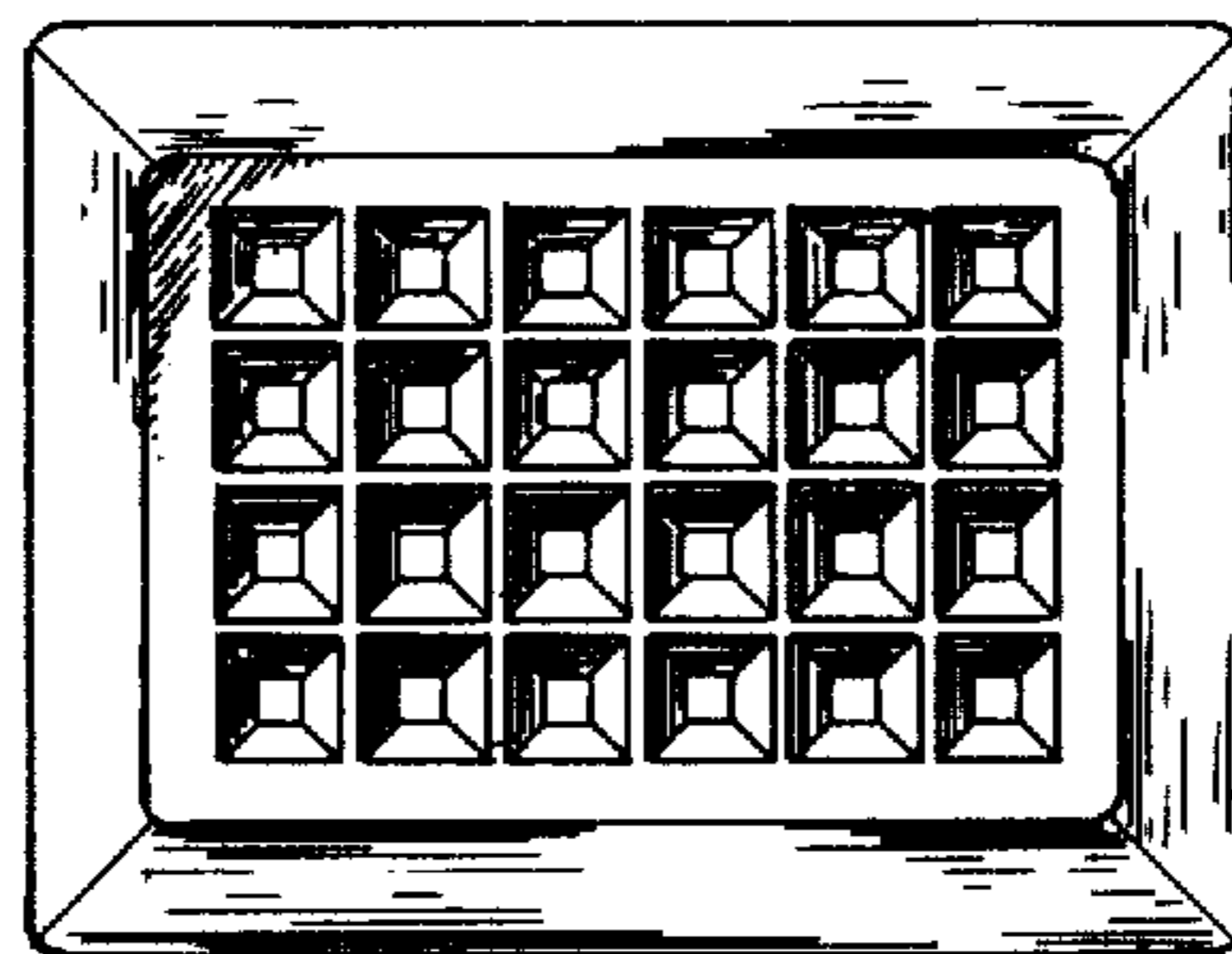


FIG. 4