

[54] **DISPOSABLE CAPSULE FOR SEPARATELY STORING COMPONENTS OF DENTAL AMALGAMS**

[75] Inventor: **Joseph G. Biondo**, Watchung, N.J.

[73] Assignee: **Engelhard Minerals & Chemicals Corporation**, Murray Hill, N.J.

[\*\*] Term: **14 Years**

[21] Appl. No.: **601,220**

[22] Filed: **Aug. 1, 1975**

[51] Int. Cl. .... **D24-02**

[52] U.S. Cl. .... **D24/99**

[58] Field of Search ..... 206/219, 63.5; 259/DIG. 20; D32/3; D24/1 A; 128/272, 27.1

[56] **References Cited**

**U.S. PATENT DOCUMENTS**

3,139,181	6/1964	Kobernick .....	206/63.5
3,485,353	12/1969	Reiter .....	206/63.5
3,536,191	10/1970	Williams .....	206/63.5
3,651,932	3/1972	Muhlbauer .....	206/63.5
3,917,062	11/1975	Winters .....	206/219

D. 231,616 5/1974 Hildebrant et al. .... D32/3

*Primary Examiner*—Bernard Ansher  
*Attorney, Agent, or Firm*—R. Jonathan Peters

[57] **CLAIM**

The ornamental design for a disposable capsule for separately storing components of dental amalgams, as shown.

**DESCRIPTION**

FIG. 1 is a downward perspective view of the disposable capsule for separately storing components of dental amalgams;

FIG. 2 is a side elevational view of the disposable capsule for separately storing components of dental amalgams of FIG. 1;

FIG. 3 is a top plan view of the disposable capsule for separately storing components of dental amalgams shown in FIG. 2; and

FIG. 4 is a bottom plan view of the disposable capsule for separately storing components of dental amalgams shown in FIG. 2.

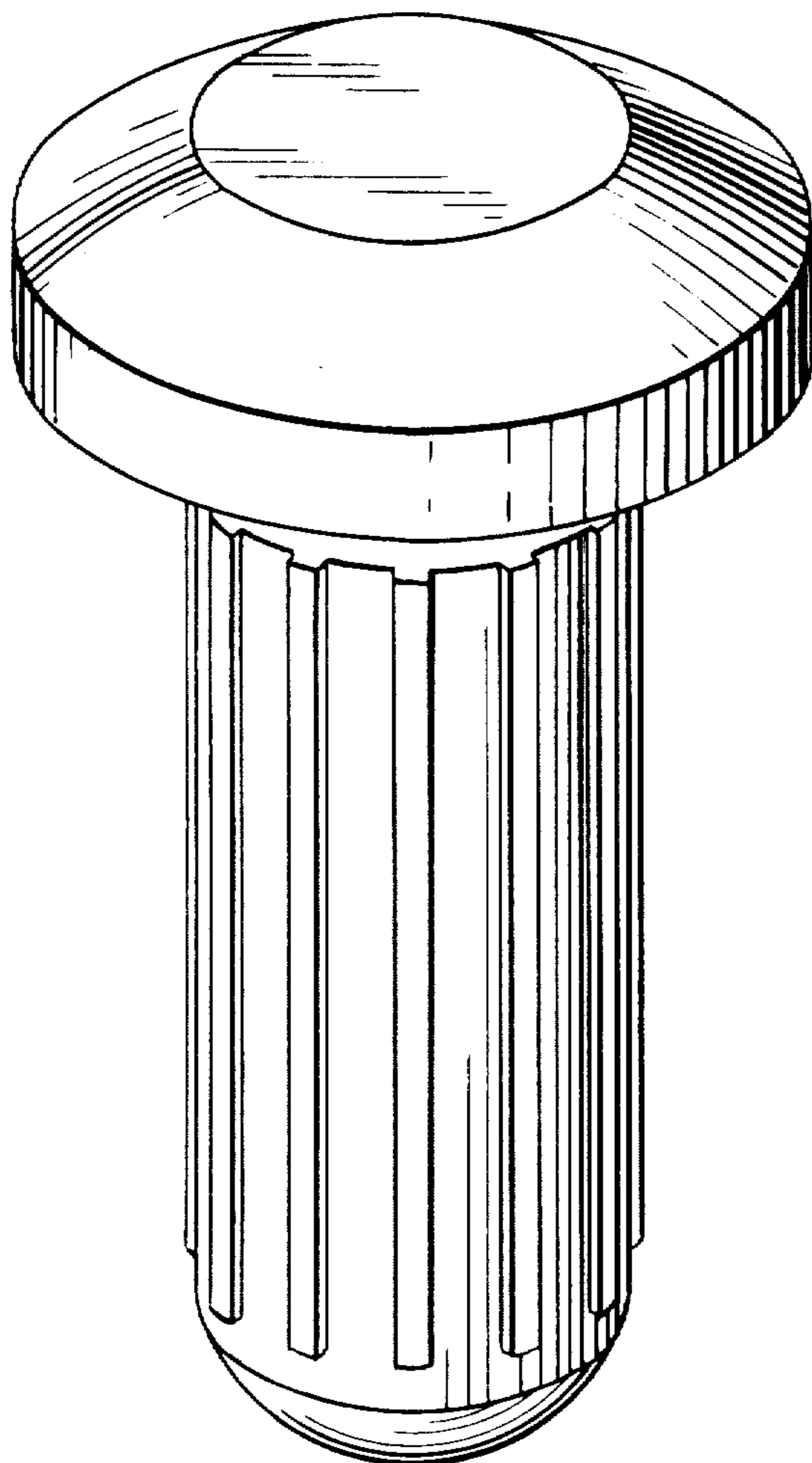


Fig. 1.

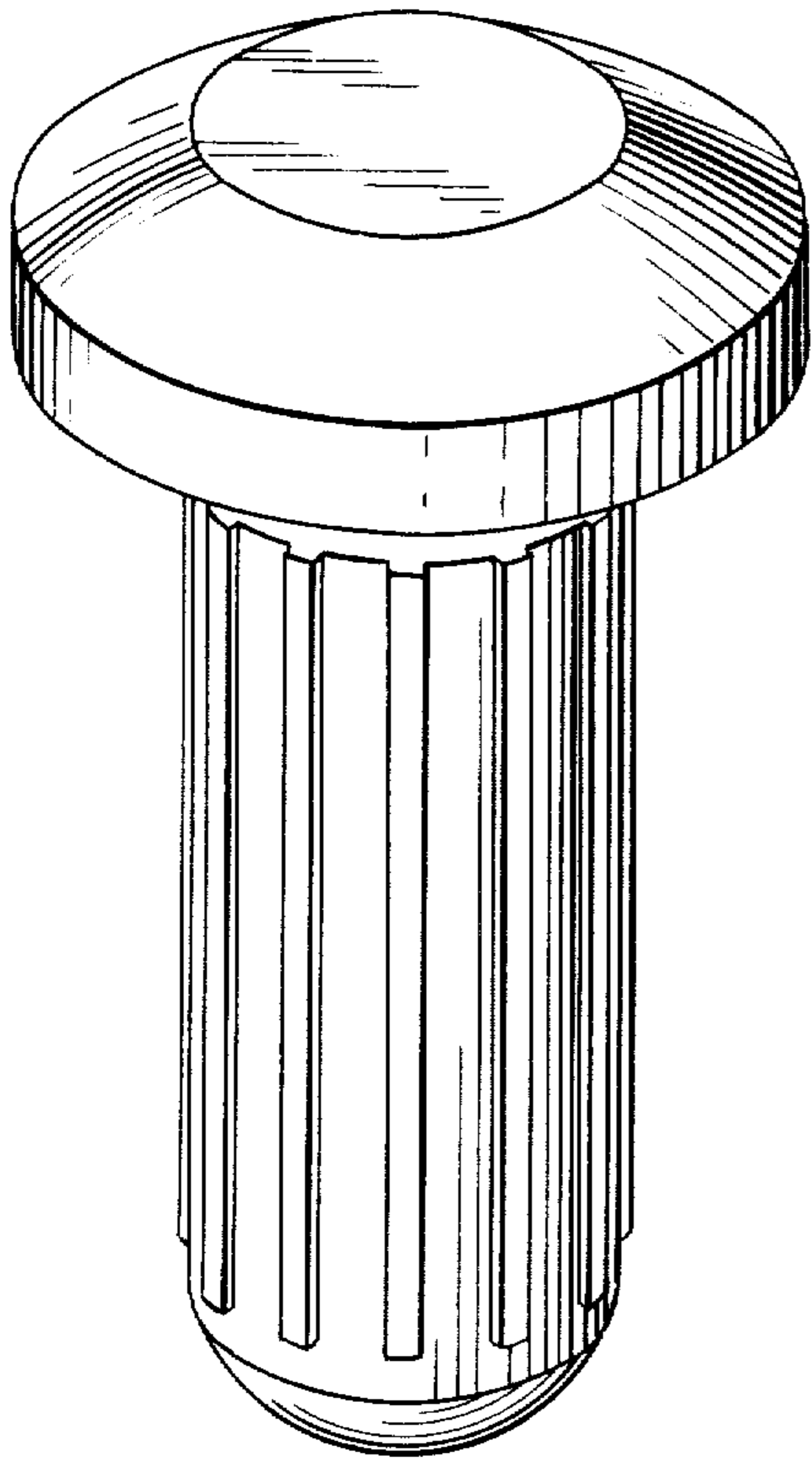


Fig. 2.

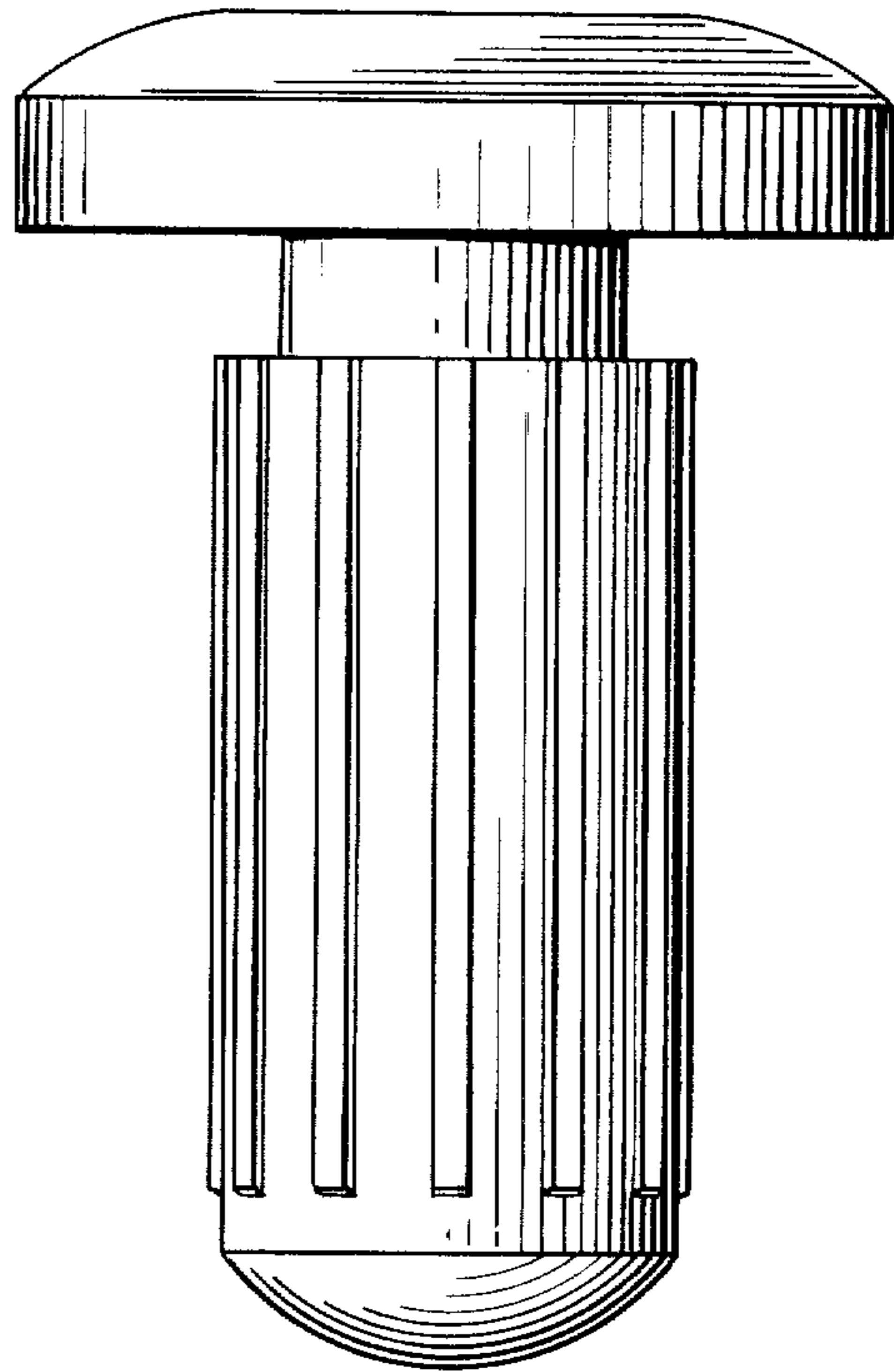


Fig. 3.

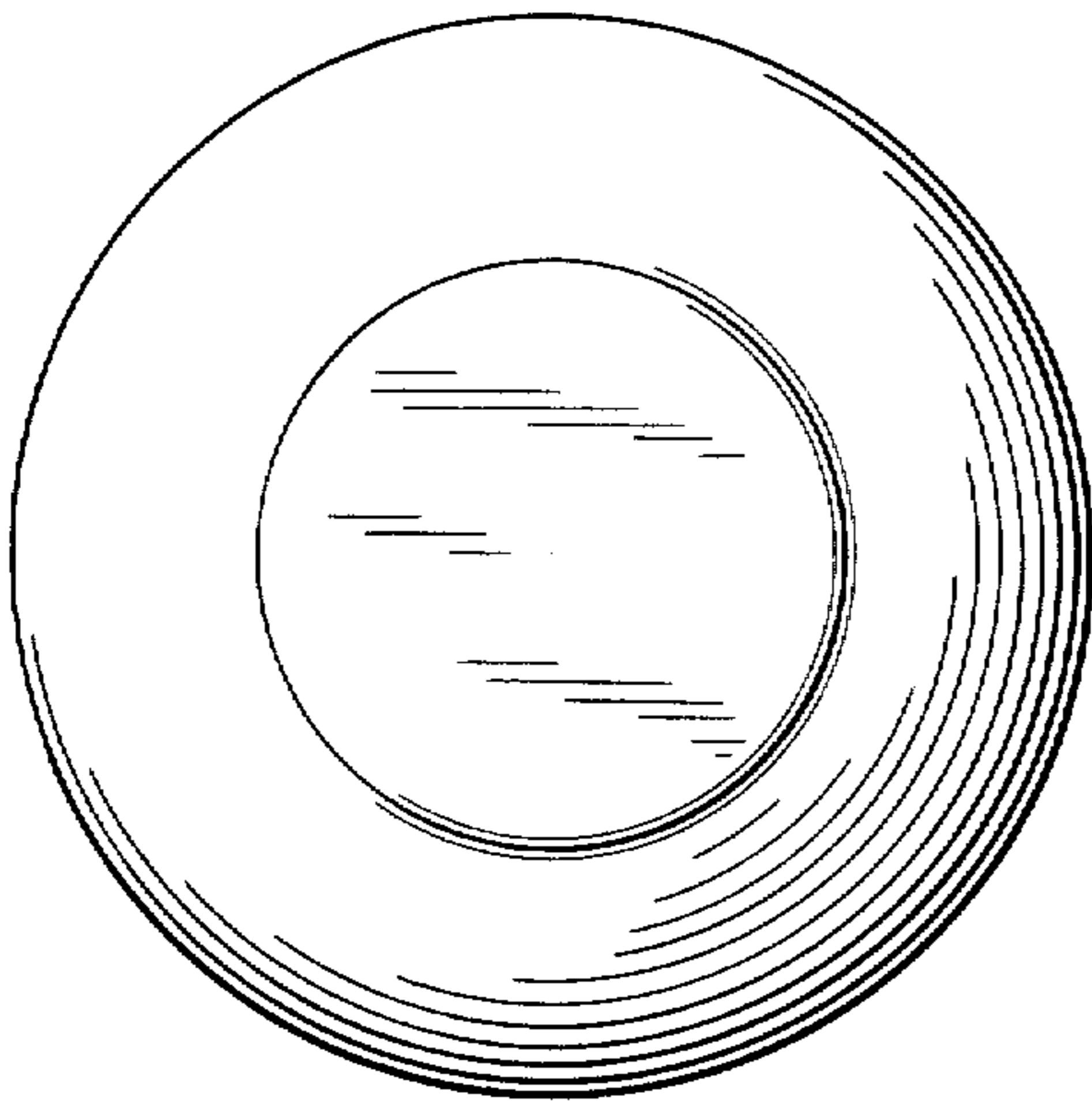


Fig. 4.

