

[54] CHILD'S COASTER VEHICLE

[76] Inventor: Robert E. Clower, 1036 Elmwood Ave., Evanston, Ill. 60202

[**] Term: 14 Years

[21] Appl. No.: 615,712

[22] Filed: Sept. 22, 1975

[51] Int. Cl. D21-01; D12-14

[52] U.S. Cl. D34/15 AJ

[58] Field of Search D12/88, 10, 11, 9, 107; D34/15 AJ; 280/87.01, 87.02, 87.03, 1.1 R, 106 R; 296/28 B; 180/11

[56] References Cited

U.S. PATENT DOCUMENTS

3,887,210 6/1975 Funke 280/87.01

D. 189,614 1/1961 Beale D34/15 AJ
D. 190,024 4/1961 Rouse D34/15 AJ

Primary Examiner—Wallace R. Burke
Assistant Examiner—James M. Gandy
Attorney, Agent, or Firm—Charles F. Duffield

[57] CLAIM

The ornamental design for the child's coaster vehicle, substantially as shown and described.

DESCRIPTION

FIG. 1 is a perspective view of the child's coaster vehicle showing my design; FIG. 2 is a rear elevation view thereof; and FIG. 3 is a left side elevation view thereof. The right side of the child's coaster vehicle is identical to the left side thereof shown in FIG. 3.

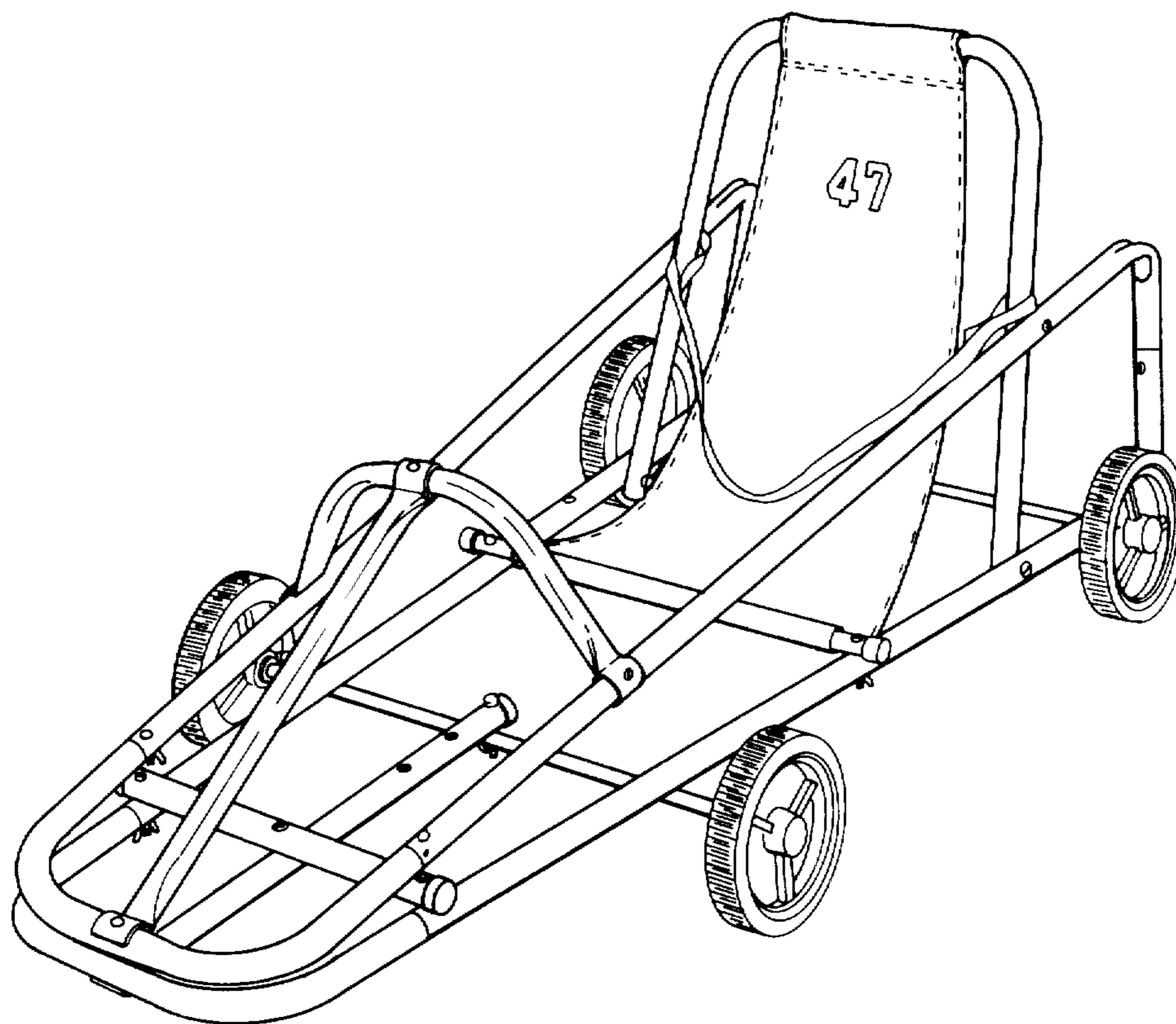


Fig. 1

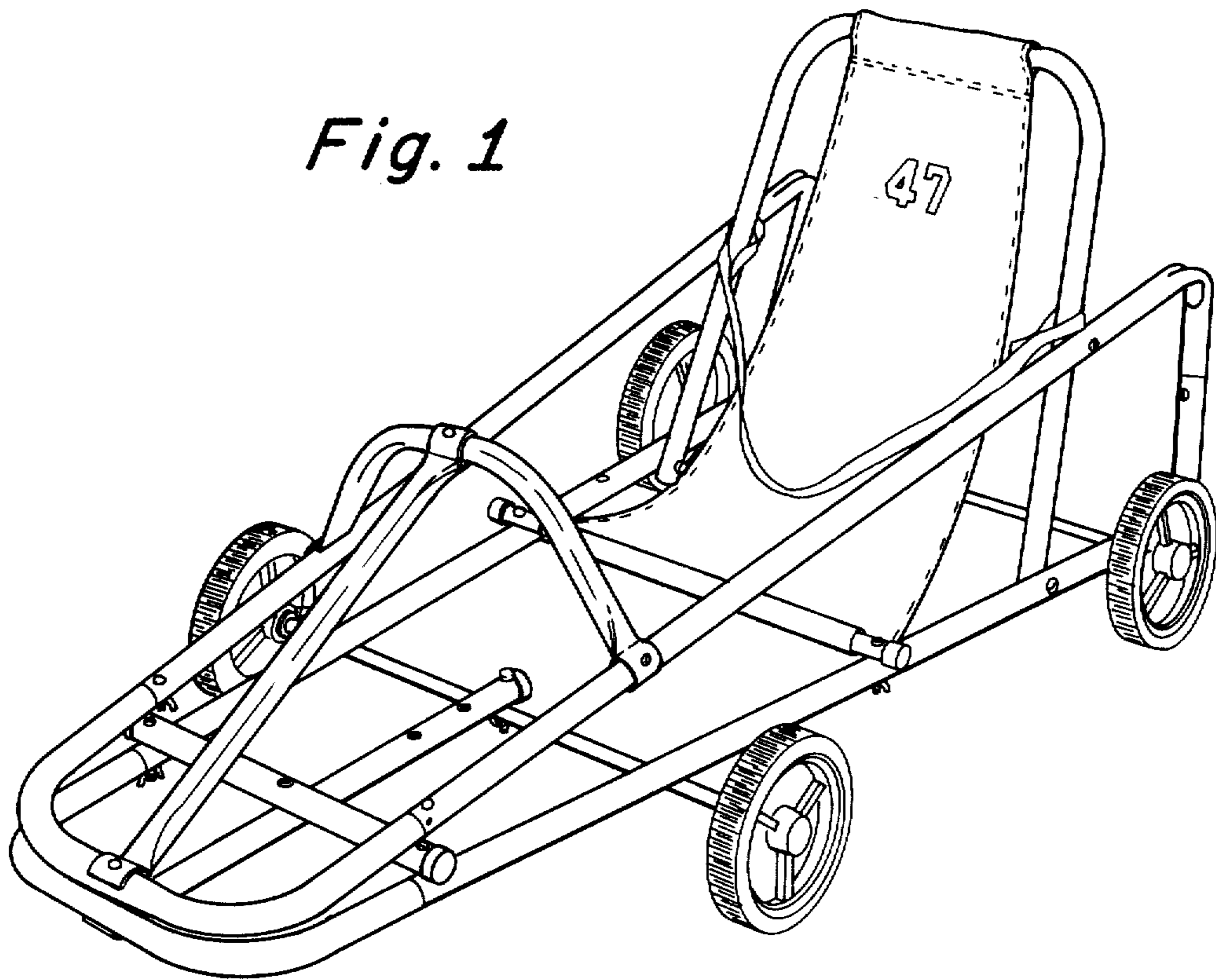


Fig. 2

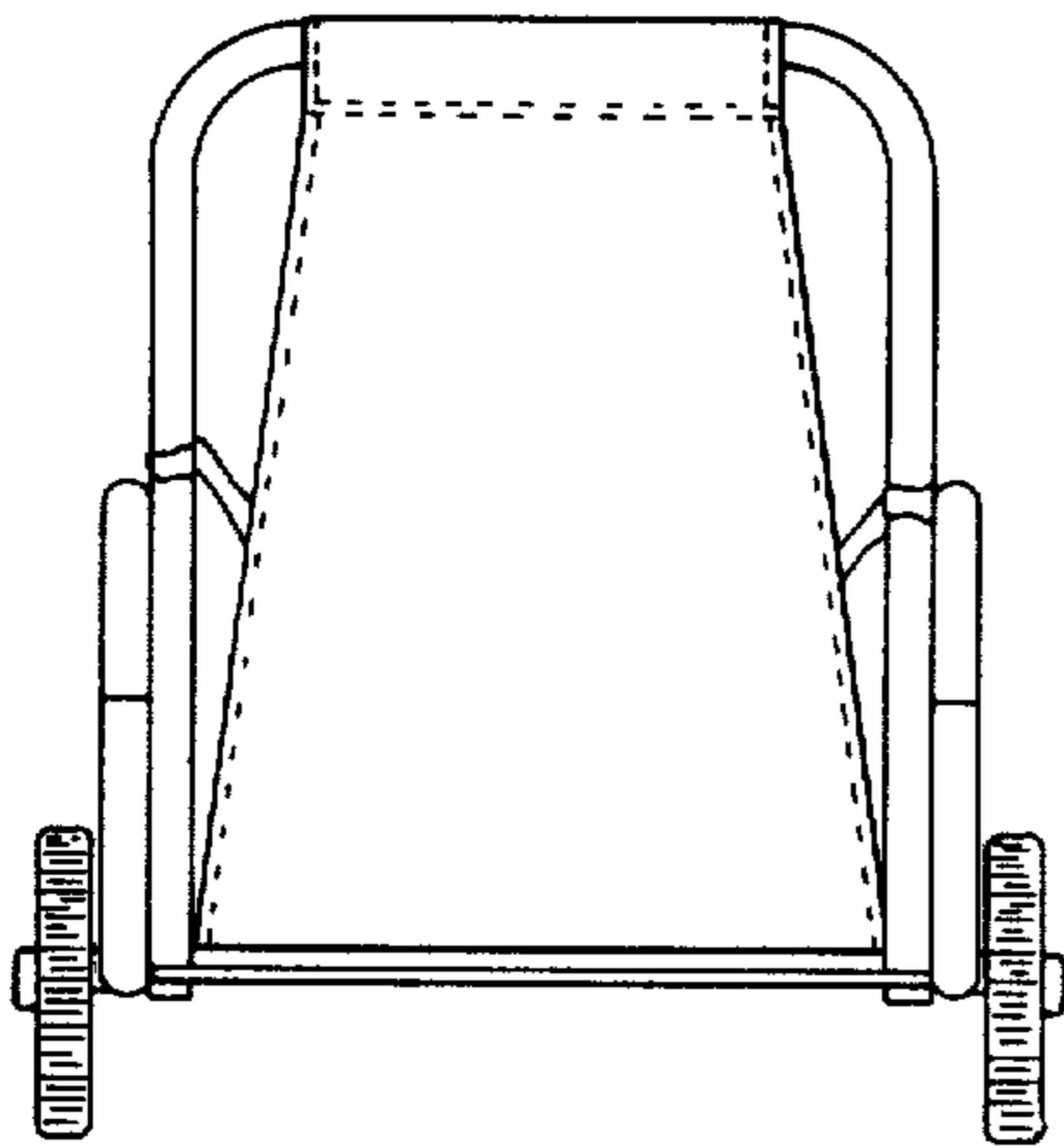


Fig. 3

