

[54] GAME CABINET

[75] Inventor: Regan L. Cheng, San Jose, Calif.

[73] Assignee: Atari, Inc.

[**] Term: 14 Years

[21] Appl. No.: 623,806

[22] Filed: Oct. 20, 1975

[51] Int. Cl. D21-03

[52] U.S. Cl. D34/5 J

[58] Field of Search D19/63; D34/5 J, 5 A, D34/5 EE, 5 JJ; D26/5 C, 5 R; D56/4 R; 273/1 E, 101.1, 101.2, 85 R

[56] References Cited

U.S. PATENT DOCUMENTS

3,193,946	7/1965	Patuano	35/11 R
3,488,861	1/1970	Jones et al.	35/11 R

Primary Examiner—Melvin B. Feifer
Attorney, Agent, or Firm—Paul D. Flehr

[57] CLAIM

The ornamental design for a game cabinet, as shown and described.

DESCRIPTION

FIG. 1 is a perspective view of a game cabinet embodying my new design.

FIG. 2 is a top plan view of the game cabinet shown in FIG. 1.

FIG. 3 is a front elevational view of the game cabinet shown in FIG. 1.

FIG. 4 is a left side elevational view of the game cabinet shown in FIG. 1.

The back and bottom of the game cabinet are generally planar surfaces, and the right side is substantially similar to the left side with the exception of the step portion shown in FIGS. 2 and 3.

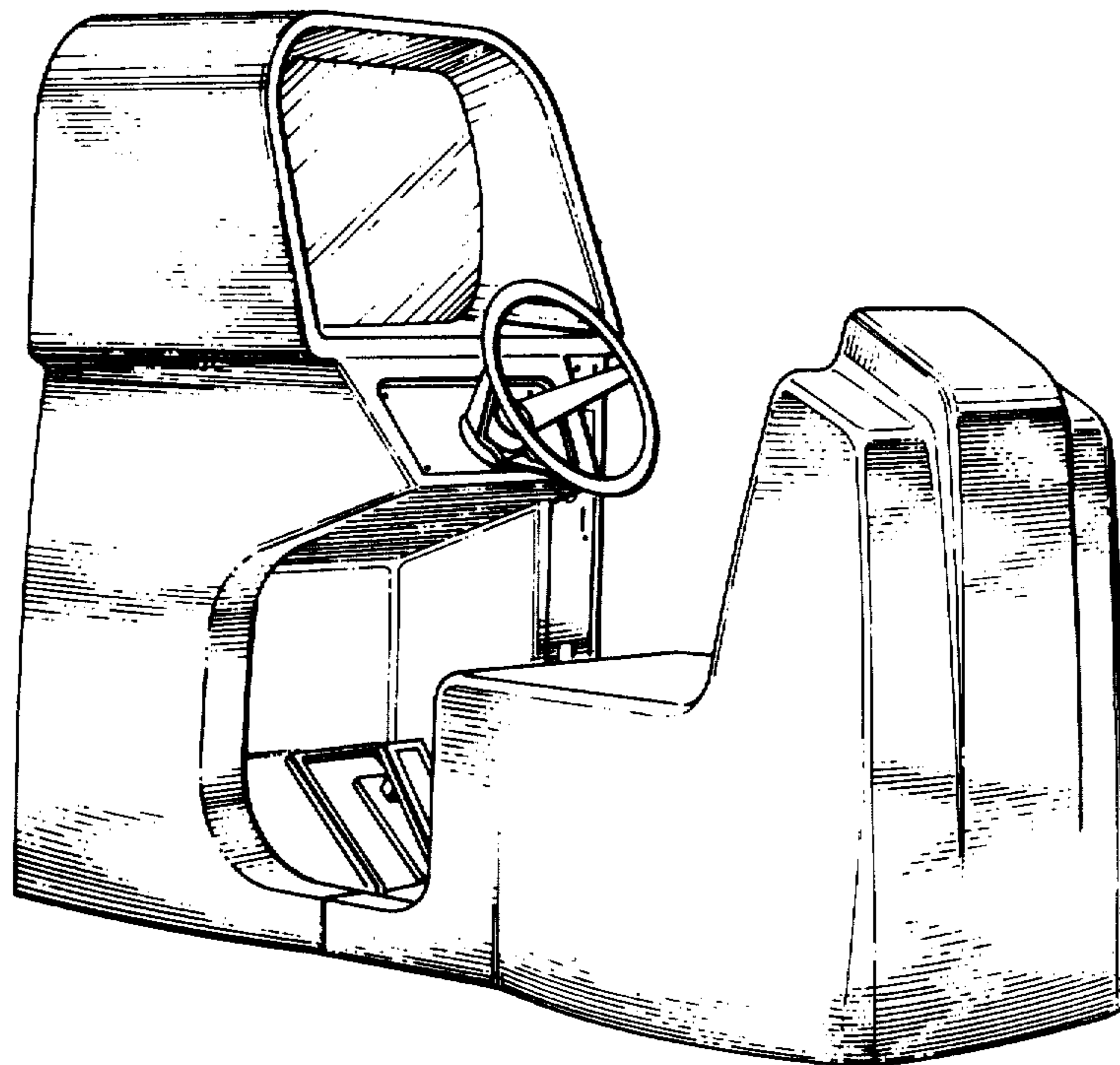


FIG 1

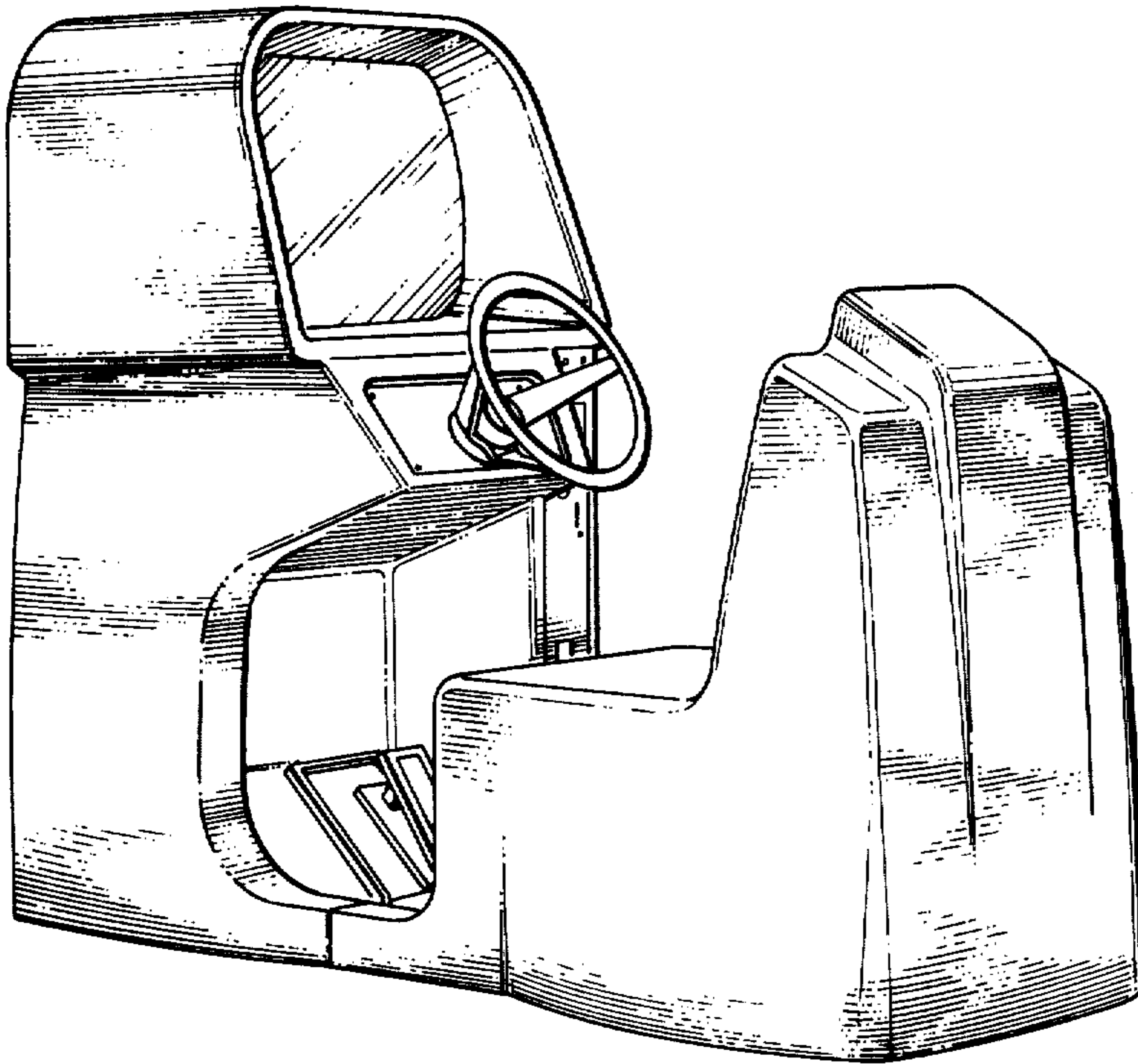


FIG 2

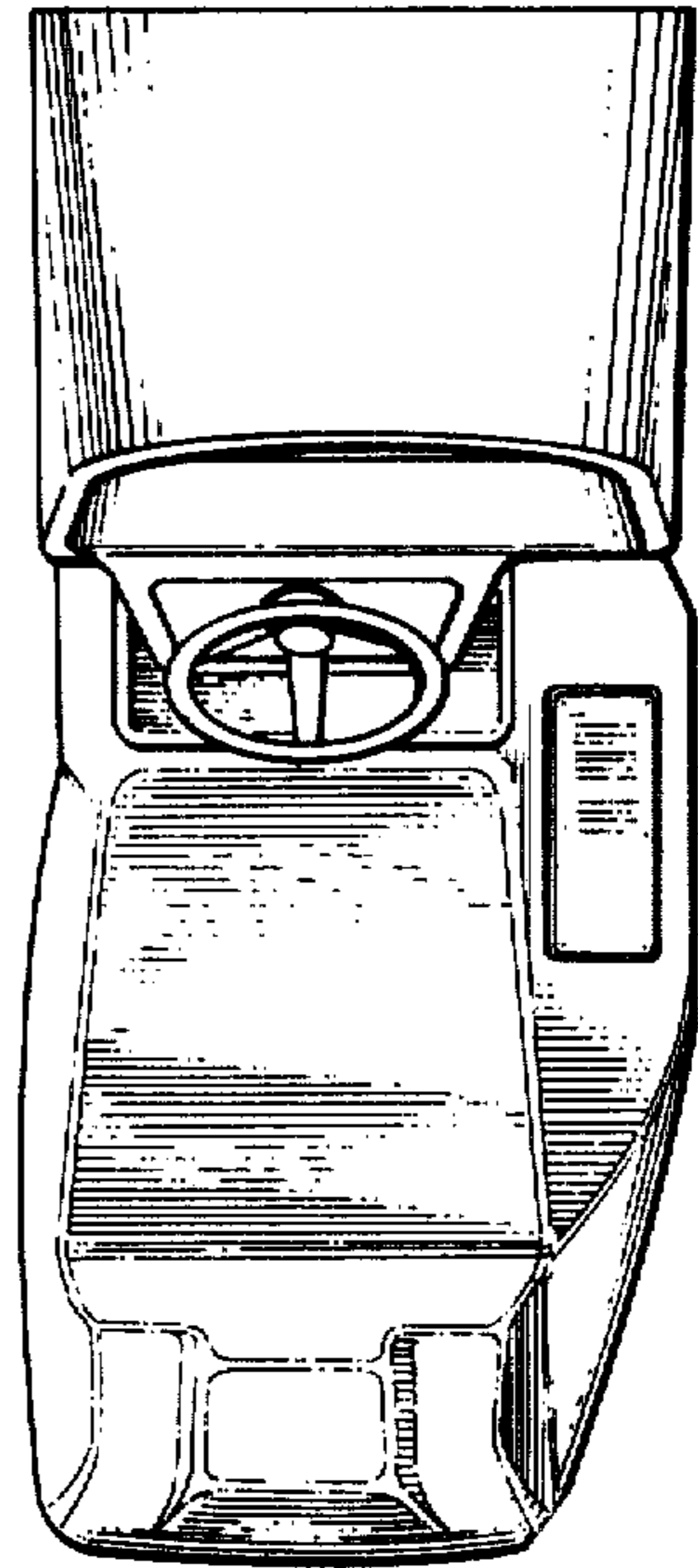


FIG 4

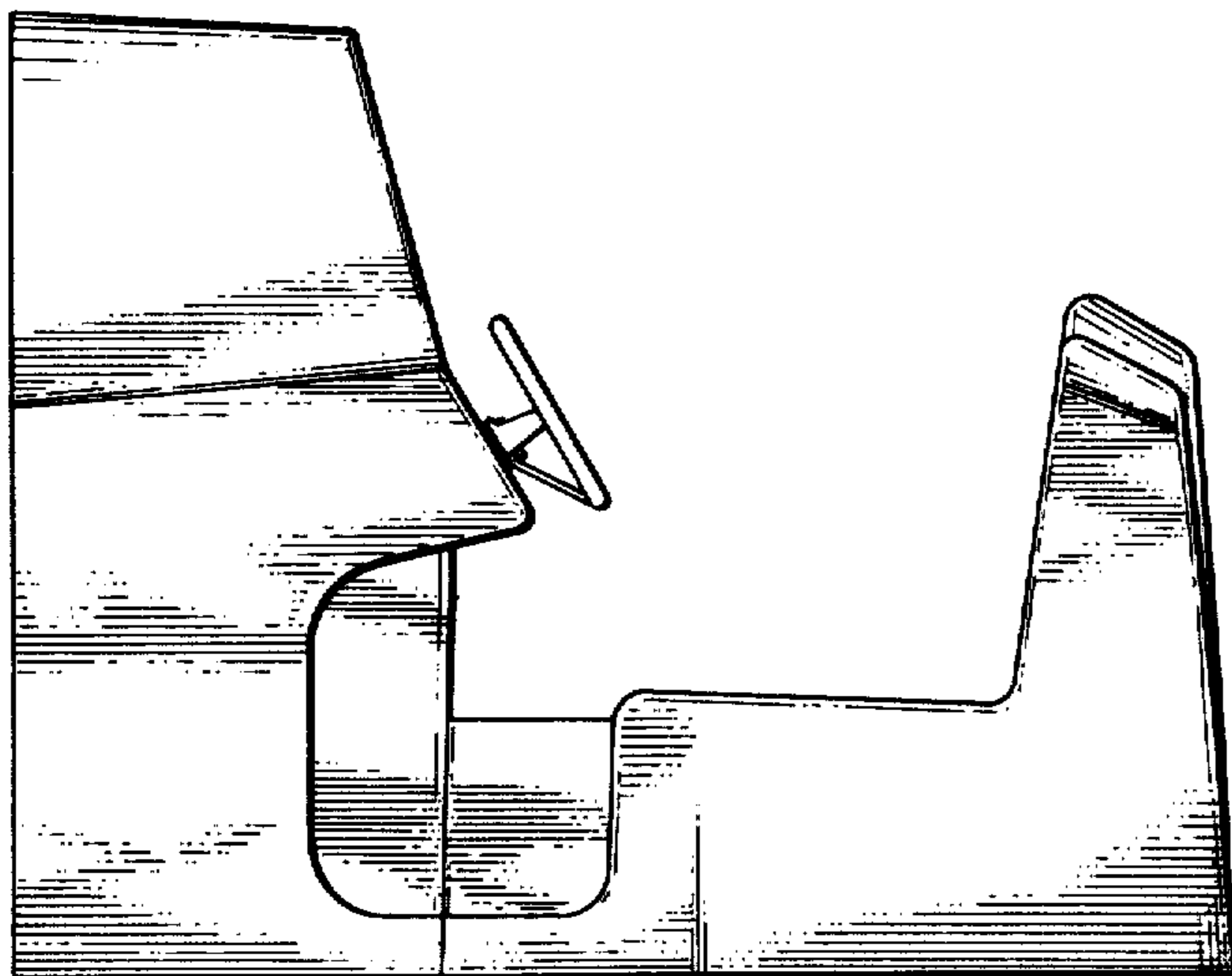


FIG 3

