

[54] ELECTRIC BATTERY

[75] Inventor: Gordon E. Kaye, Garrison, N.Y.

[73] Assignee: P. R. Mallory & Co., Inc., Indianapolis, Ind.

[\*\*] Term: 14 Years

[21] Appl. No.: 604,382

[22] Filed: Aug. 13, 1975

[51] Int. CL ..... D13-02

[52] U.S. CL ..... D13/8

[58] Field of Search ..... D26/4; 136/166, 173

[56] References Cited

U.S. PATENT DOCUMENTS

2,590,804 3/1952 Vitale ..... 136/166  
3,317,349 5/1967 Elliott et al. .... 136/166 X

FOREIGN PATENT DOCUMENTS

782,524 9/1957 United Kingdom ..... 136/166

OTHER PUBLICATIONS

Radio Shack 1974 Electronics Catalog c 1973, p. 116, Battery Y15.

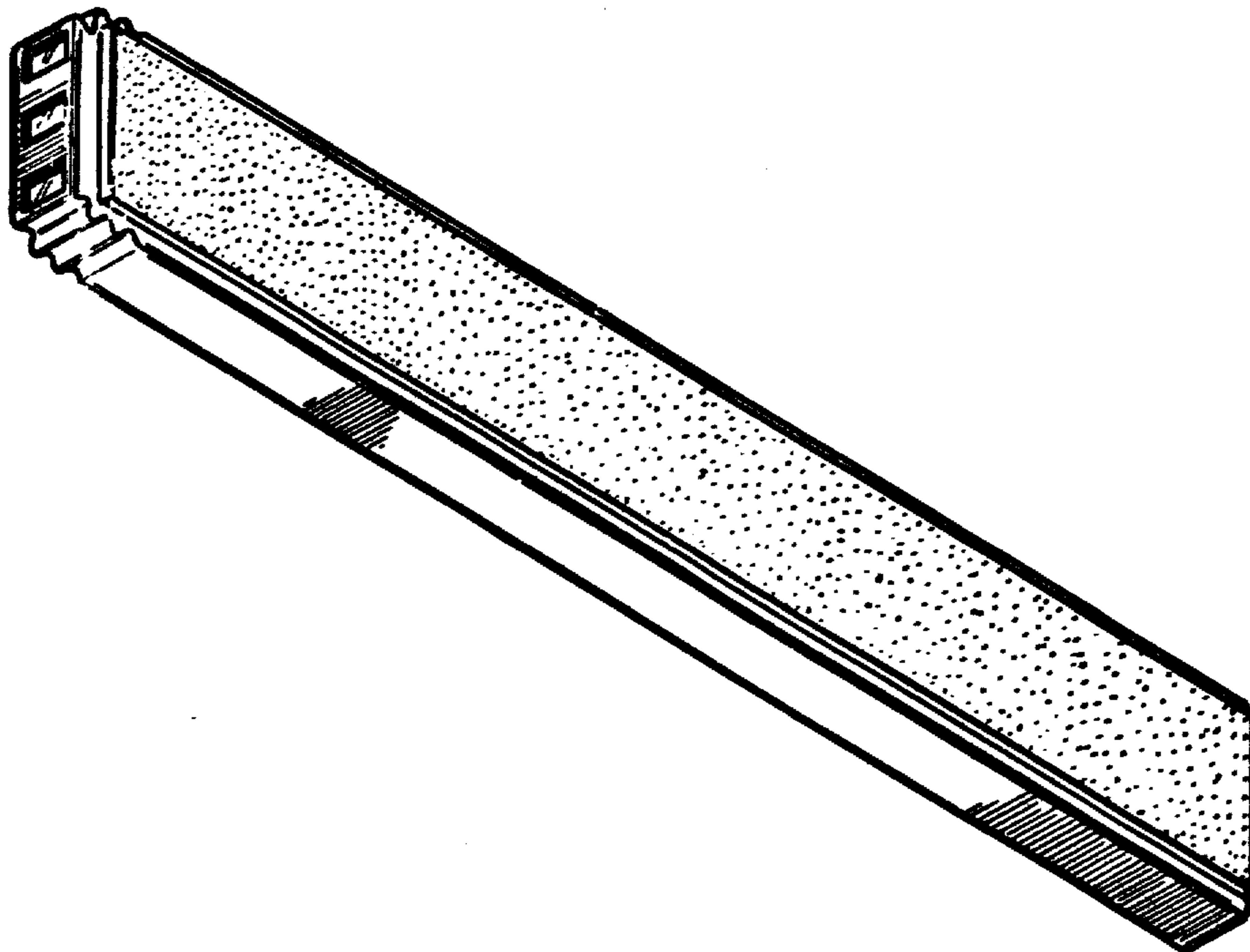
Primary Examiner—Susie J. Mercer  
Attorney, Agent, or Firm—Charles W. Hoffmann

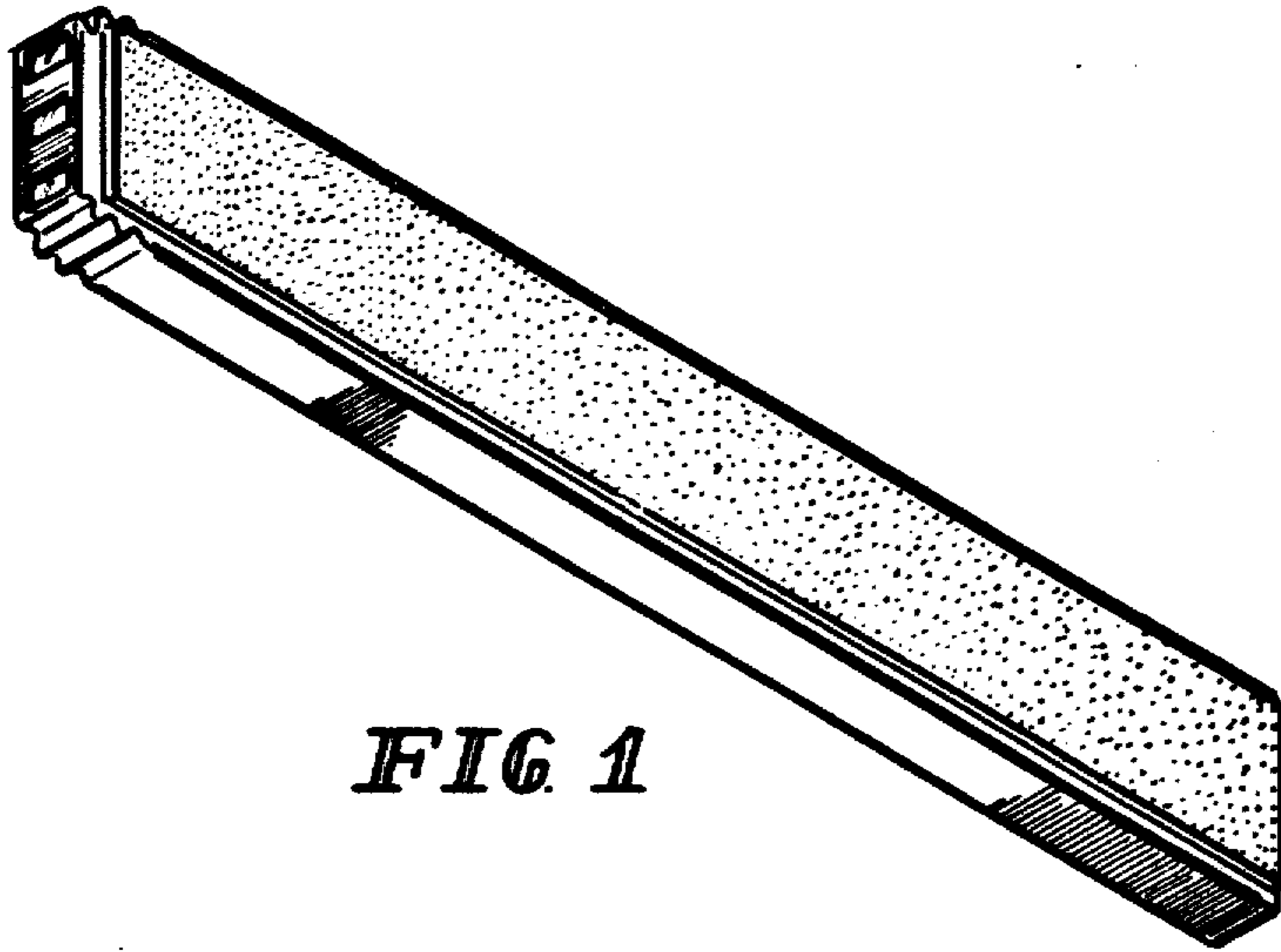
[57] CLAIM

The ornamental design for an electric battery, substantially as shown and described.

DESCRIPTION

FIG. 1 is a perspective view of an electric battery showing my new design;  
FIG. 2 is a front elevation view thereof;  
FIG. 3 is a rear elevation view thereof;  
FIG. 4 is a top view thereof;  
FIG. 5 is a right side elevation view thereof;  
FIG. 6 is a bottom view thereof; and  
FIG. 7 is a left side elevation view thereof.





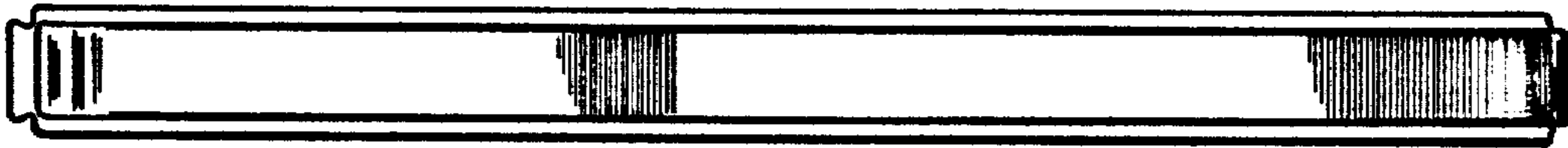
*FIG. 1*



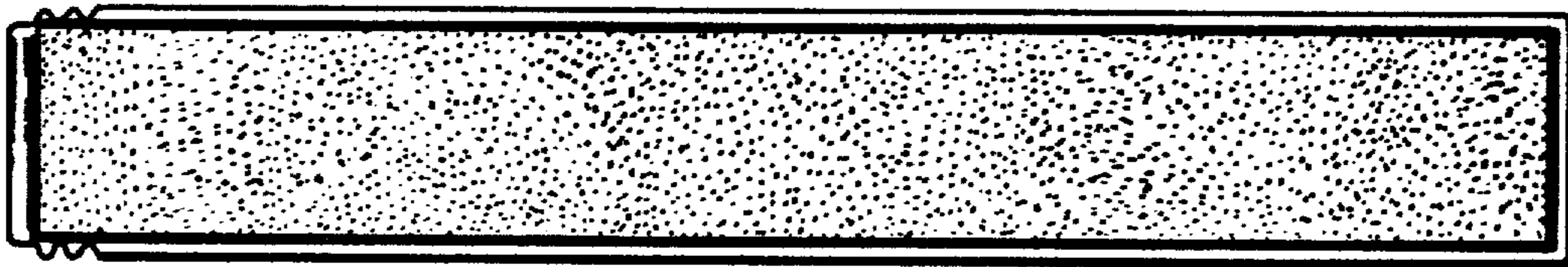
*FIG. 2*



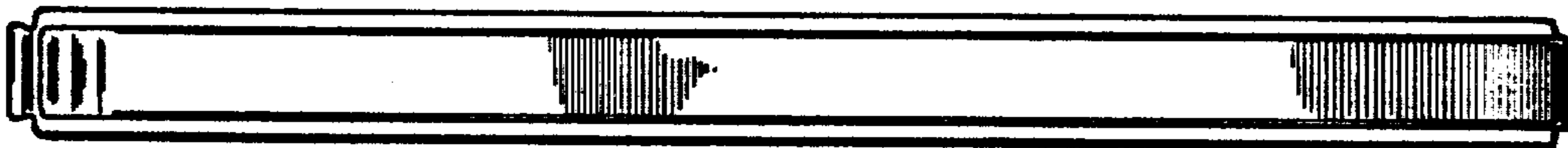
*FIG. 3*



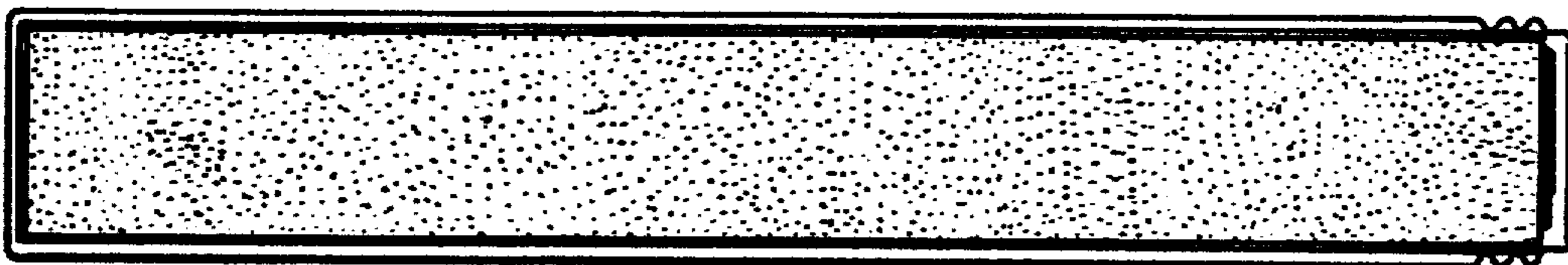
*FIG. 4*



*FIG. 5*



*FIG. 6*



*FIG. 7*