

[54] RETAINING WALL STRINGER

[75] Inventor: William K. Hilfiker, Eureka, Calif.

[73] Assignee: Hilfiker Pipe Co., Eureka, Calif.

[\*\*] Term: 14 Years

[21] Appl. No.: 655,888

[22] Filed: Feb. 6, 1976

[51] Int. Cl. .... D25-01

[52] U.S. Cl. .... D25/77

[58] Field of Search ..... 52/588, 592; 61/35, 61/39; D25/77

[56] References Cited

U.S. PATENT DOCUMENTS

490,726	1/1893	Stevenson	.....	D13/1 J
3,877,236	4/1975	O'Neill et al.	.....	61/35 X
3,922,864	12/1975	Hilfiker	.....	52/588 X
D. 224,292	7/1972	McCaul	.....	D25/77

Primary Examiner—A. Hugo Word  
Attorney, Agent, or Firm—Frank A. Neal

[57] CLAIM

The ornamental design for a retaining wall stringer, as shown.

DESCRIPTION

FIG. 1 is a perspective view of my new stringer.

FIG. 2 is an end view of my stringer, as seen from the right of FIG. 1.

FIG. 3 is a cross-sectional view taken on the plane designated by Line 3—3 of FIG. 1.

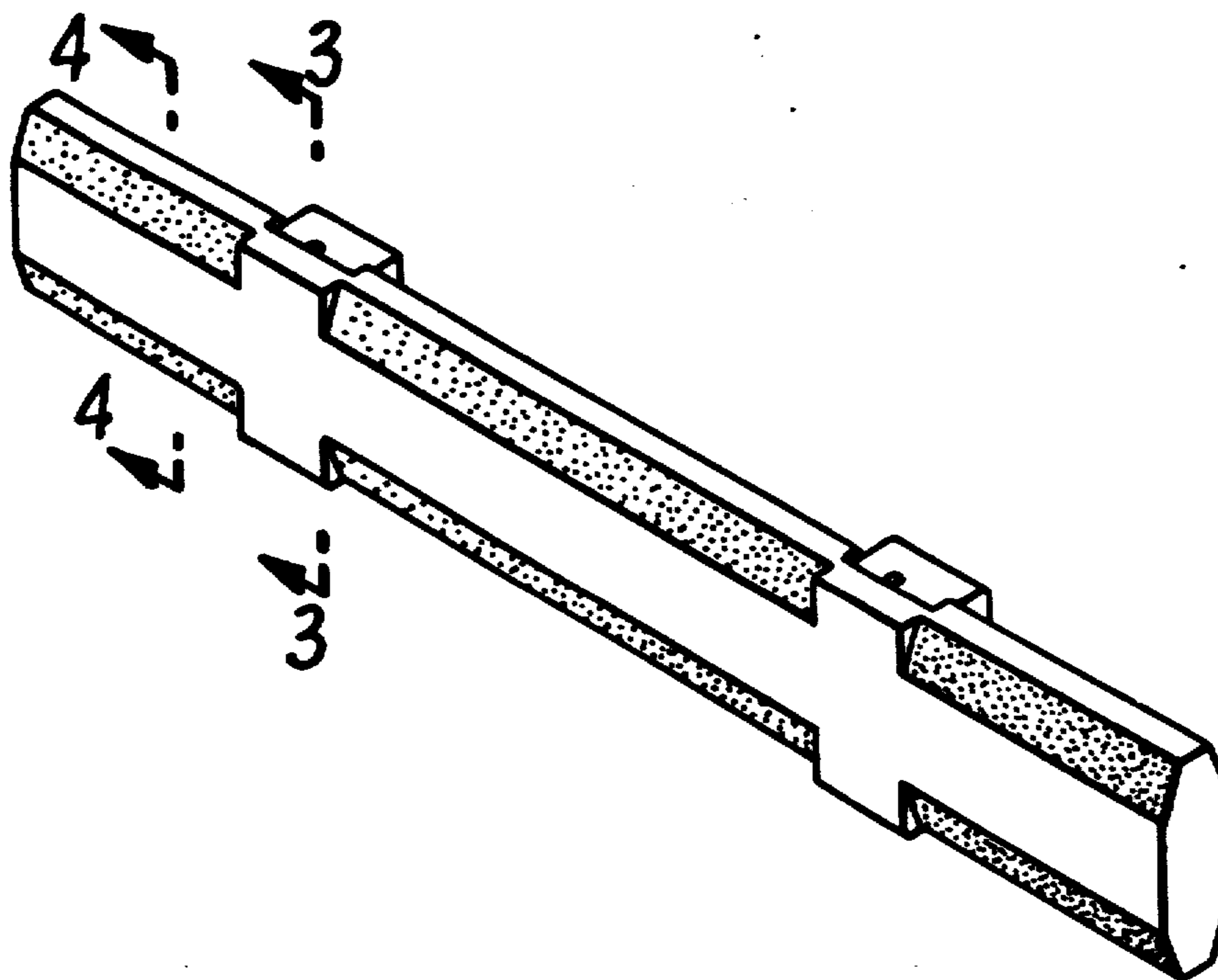
FIG. 4 is a cross-sectional view taken on the plane designated by Line 4—4 of FIG. 1.

FIG. 5 is a top plan view of my stringer.

FIG. 6 is a front elevational view of my stringer.

FIG. 7 is a bottom plan view of my stringer.

FIG. 8 is a rear elevational view of my stringer.



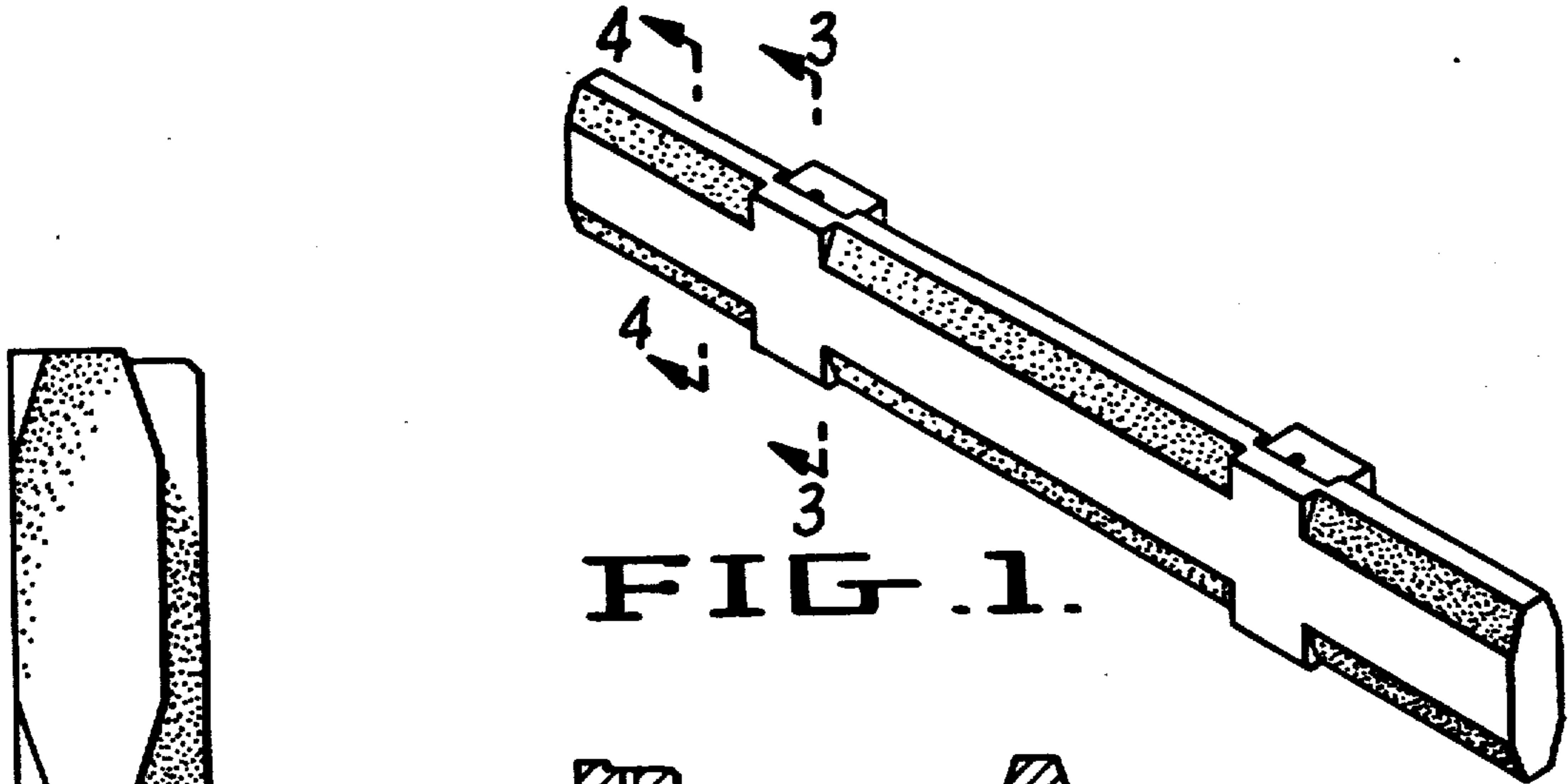


FIG. 1.

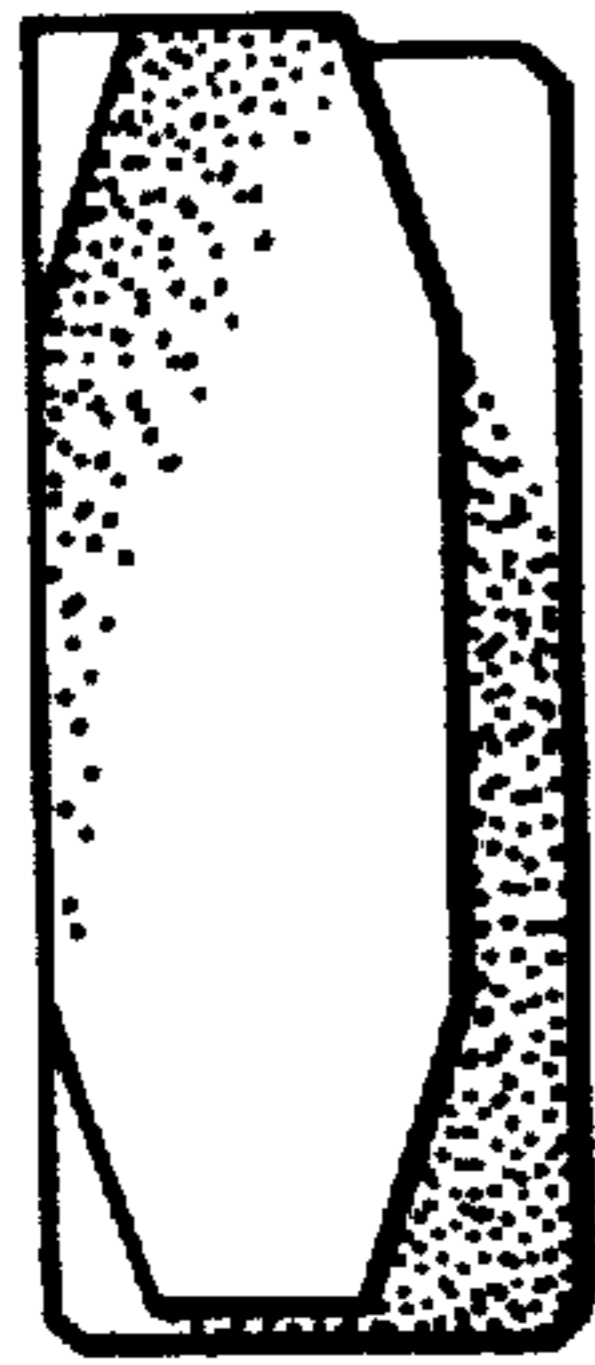


FIG. 2.

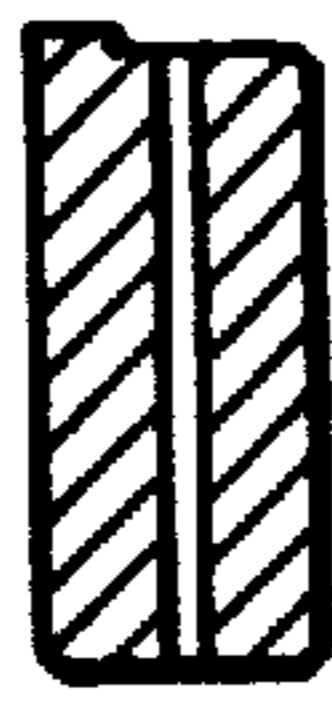


FIG. 3.



FIG. 4.

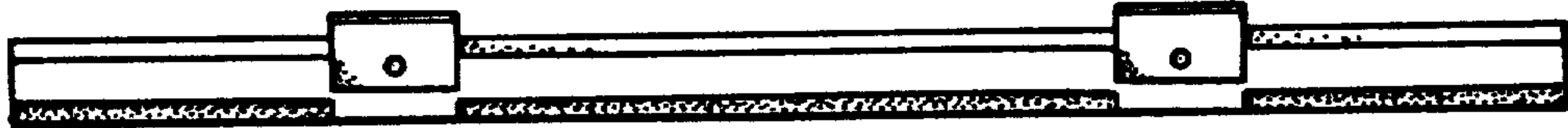


FIG. 5.

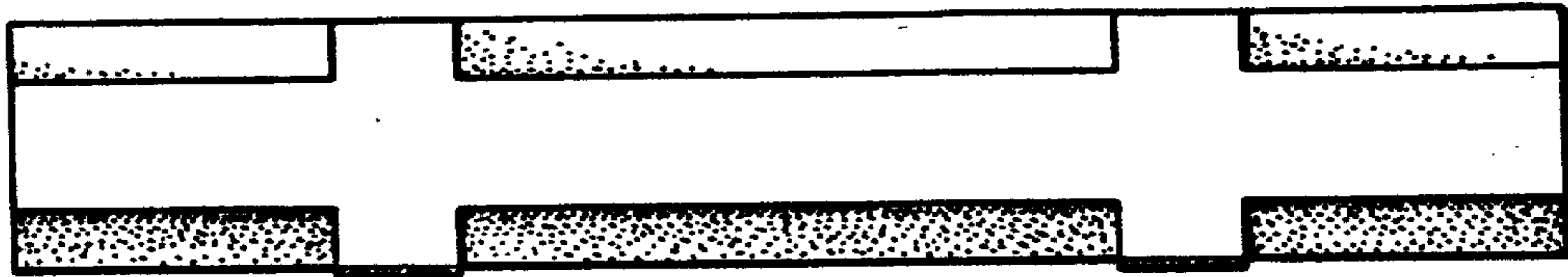


FIG. 6.

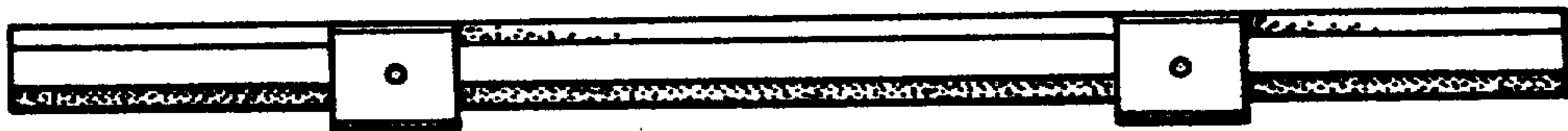


FIG. 7.

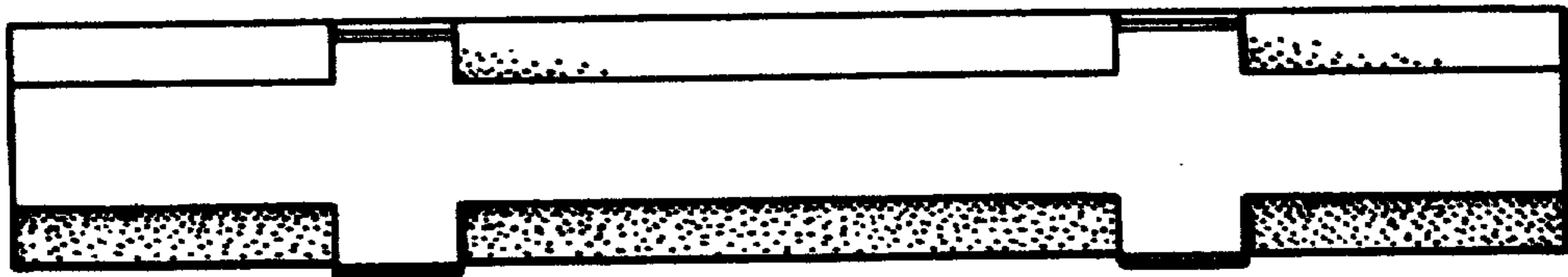


FIG. 8.