

[54] **WATER SWEEPER**

[76] Inventor: **Randall T. Craig**, 1907 Stonewall Lane, Vista, Calif. 92083

[**] Term: **14 Years**

[21] Appl. No.: **640,060**

[22] Filed: **Dec. 12, 1975**

[51] Int. Cl. **D23-01**

[52] U.S. Cl. **D23/35**

[58] Field of Search D23/17, 18, 34-39;
239/287

[56] **References Cited**

U.S. PATENT DOCUMENTS

2,692,163	10/1954	Geel	D23/35 UX
2,889,994	6/1959	French	239/287 X
D. 201,240	6/1965	Beinert	D23/35
D. 229,932	1/1974	Goodrich	D23/34

OTHER PUBLICATIONS

Home Furnishings Daily, Sept. 24, 1962, p. 43, "Cal-Dak" item.

Primary Examiner—James R. Largen
Attorney, Agent, or Firm—Duane C. Bowen

[57] **CLAIM**

The ornamental design for a water sweeper, as shown.

DESCRIPTION

FIG. 1 is a perspective view of a water sweeper embodying my design.

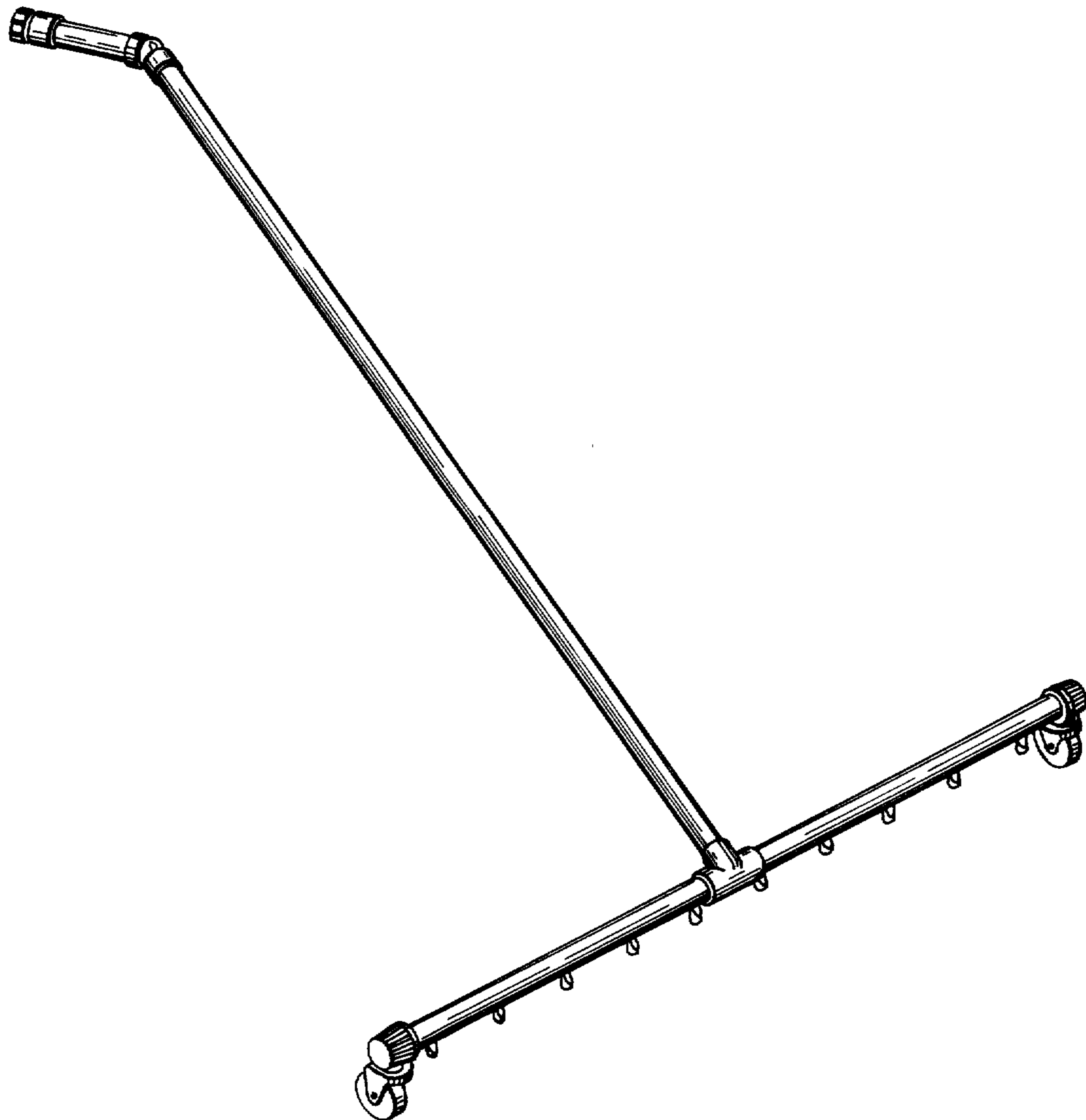
FIG. 2 is a front view thereof.

FIG. 3 is a bottom view thereof.

FIG. 4 is a side view thereof.

FIG. 5 is a fragmentary bottom front perspective view showing the spray bar and caster.

FIG. 6 is a fragmentary top front perspective view showing the spray bar and caster.



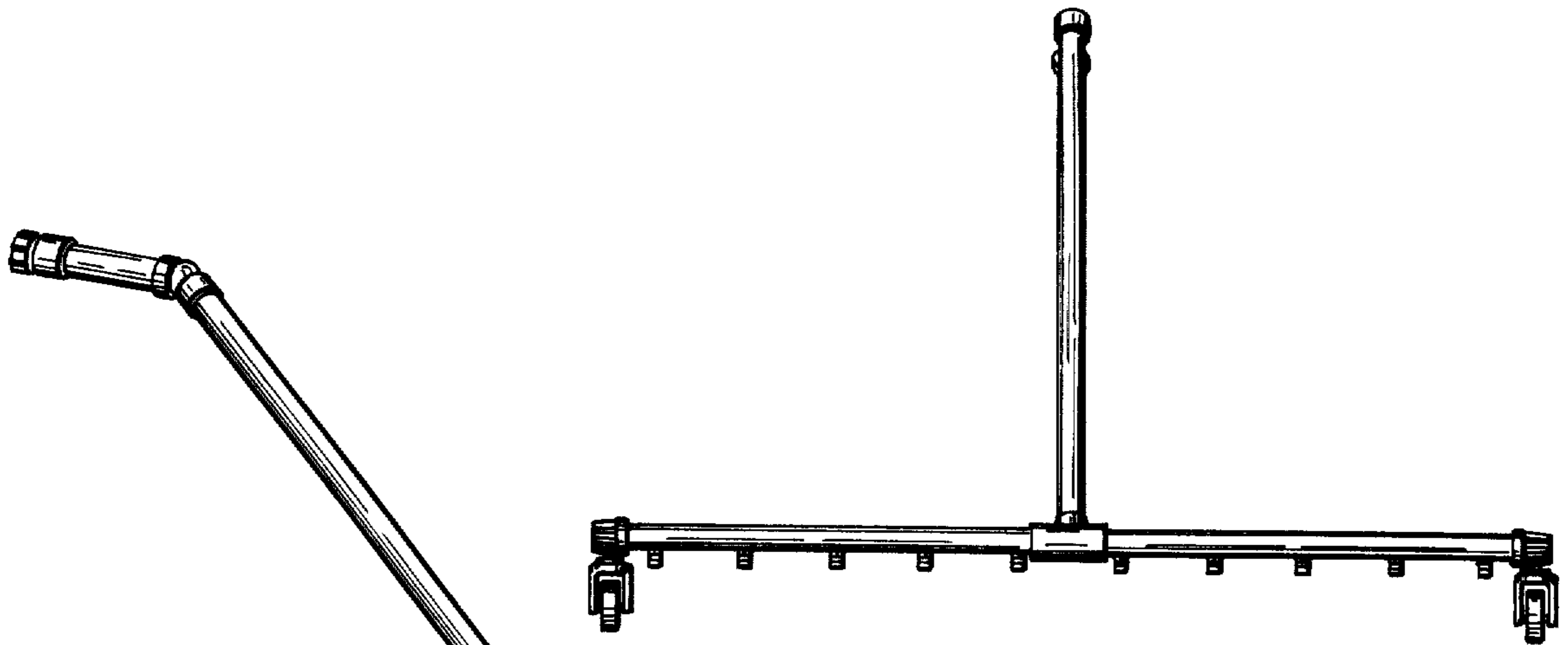


Fig. 1

Fig. 2

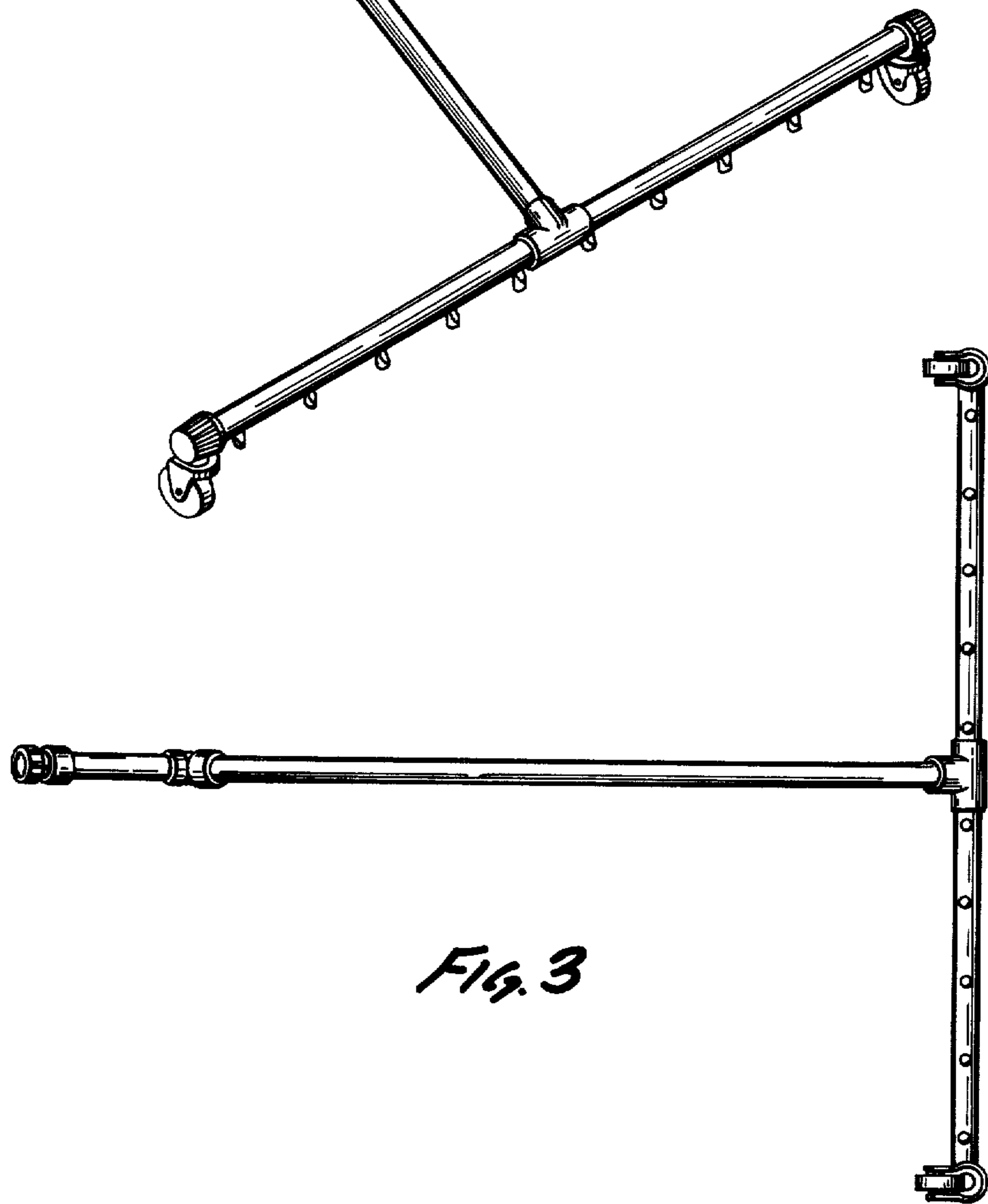


Fig. 3

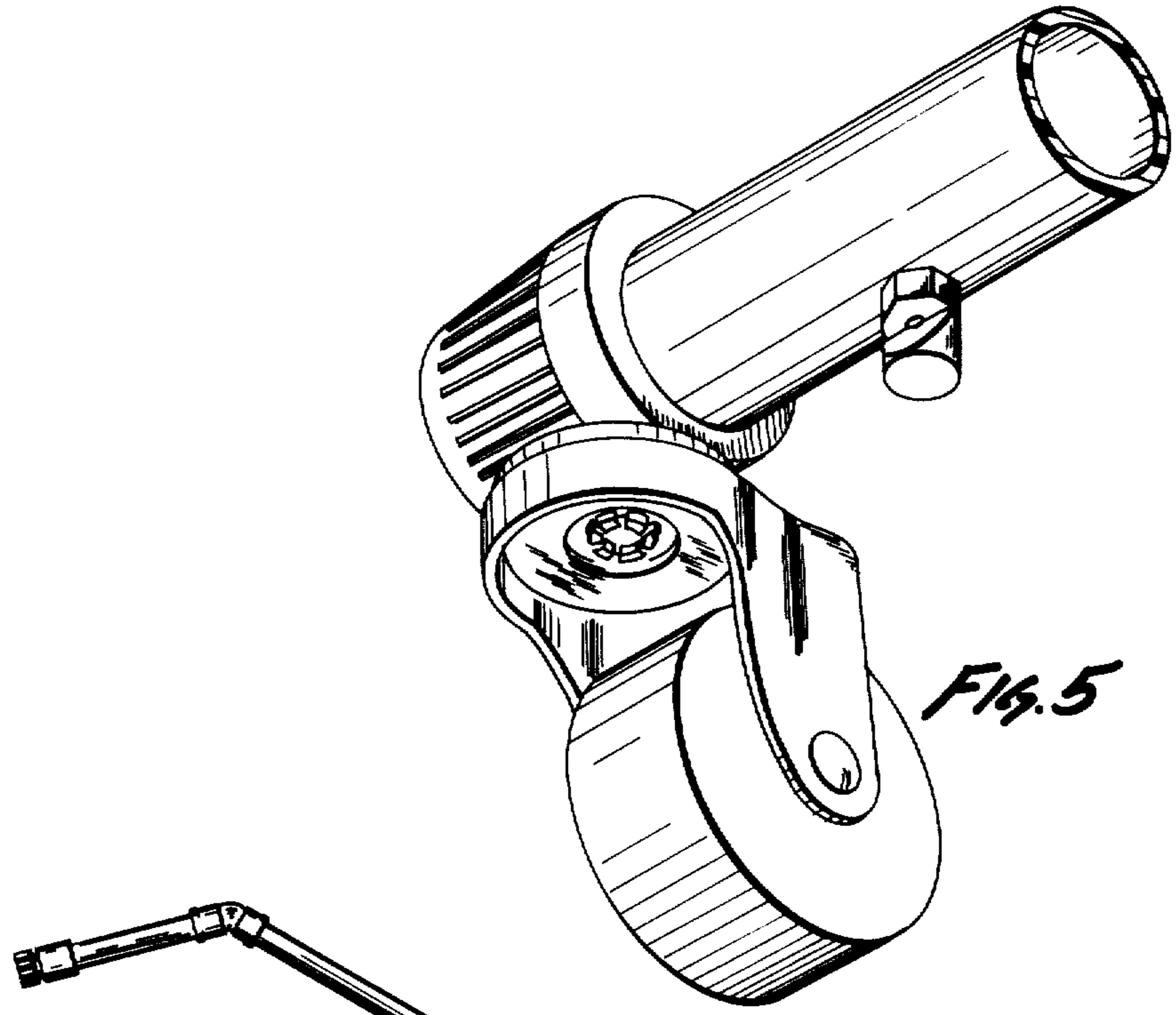


Fig. 5

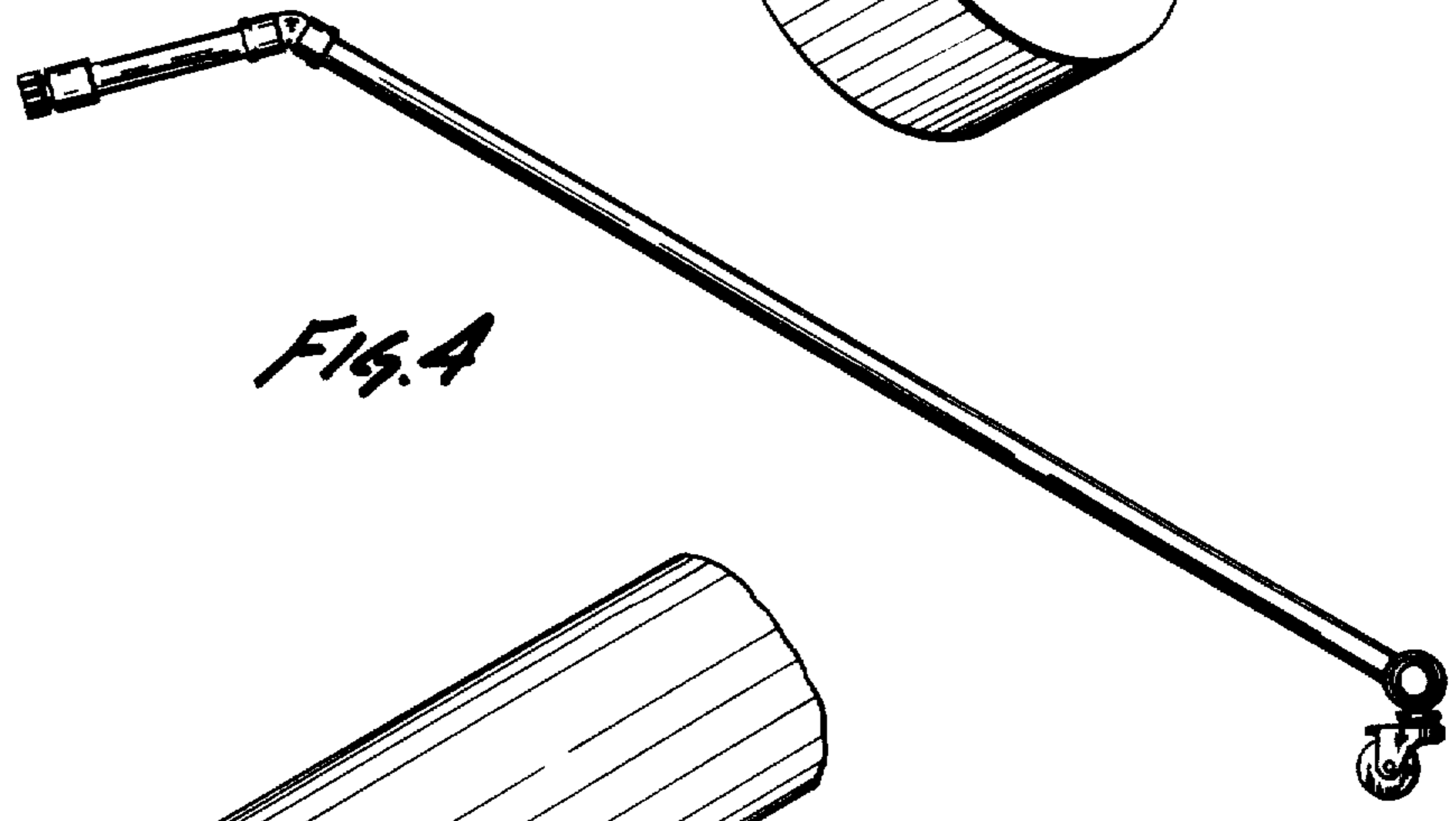


Fig. 4

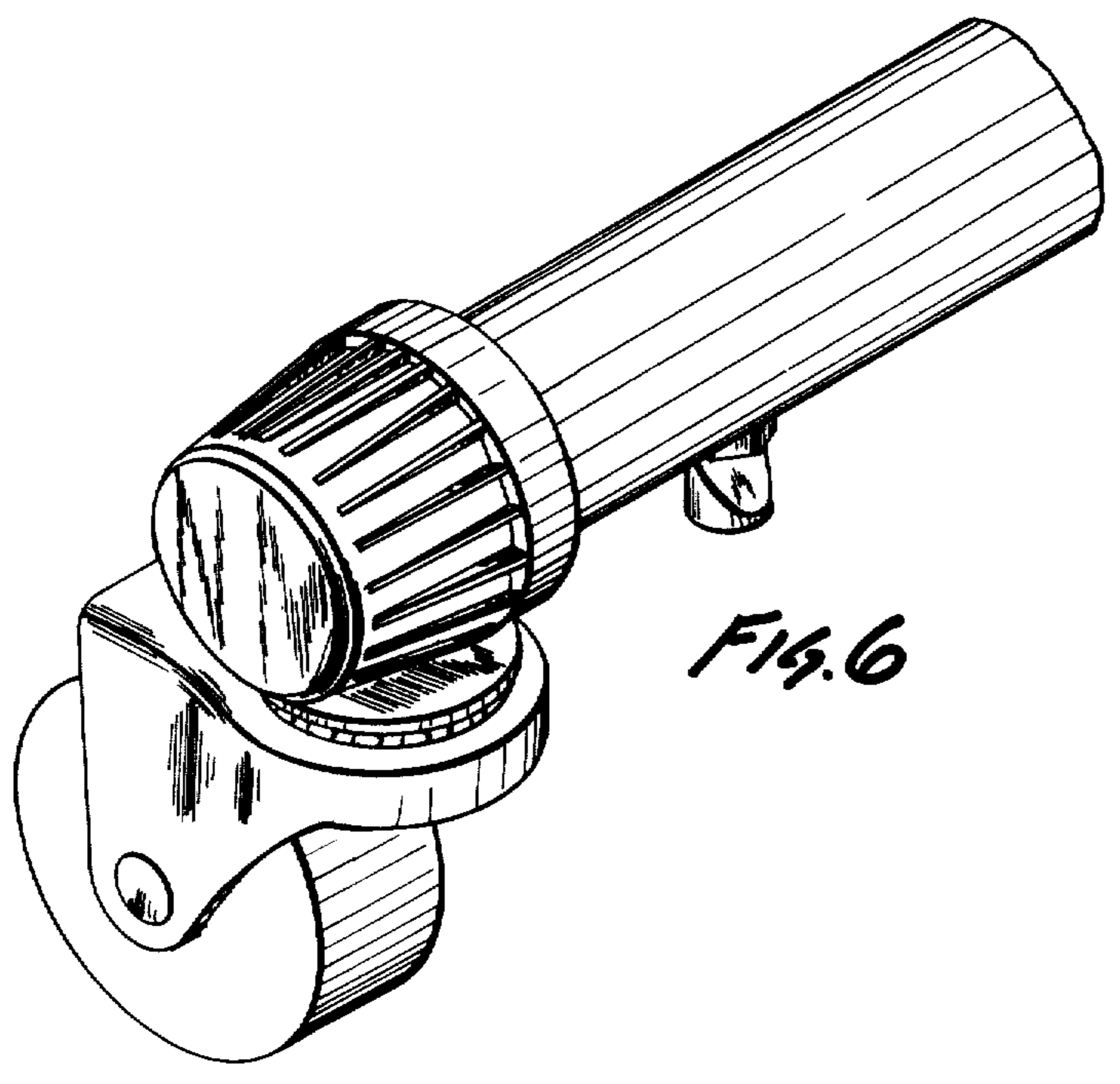


Fig. 6