

[54] FAUCET

[76] Inventors: **Rune G. Monö**, Nasbyvagen 3, 183 30 Taby; **Michele Morichetto**, Mollagatan 36, 502 46 Boras, both of Sweden

[**] Term: **14 Years**

[21] Appl. No.: **608,506**

[22] Filed: **Aug. 25, 1975**

[30] **Foreign Application Priority Data**

Feb. 25, 1975 Sweden 75421

[51] Int. Cl. **D23-01**

[52] U.S. Cl. **D23/23**

[58] Field of Search D23/28-32

[56] **References Cited**

U.S. PATENT DOCUMENTS

D. 73,236	8/1927	Rahling	D23/32
D. 150,112	7/1948	Cashman	D23/23
D. 179,433	12/1956	Williams	D23/23
D. 183,176	7/1958	Marnard	D23/32

D. 183,272	7/1958	Alexander	D23/23
D. 231,227	4/1974	Hill	D23/32

OTHER PUBLICATIONS

Emerson, In-Sink-Erator Div., form No. HWD-100-730, front cover, rec'd 6/12/73.

Primary Examiner—James R. Lergen
Attorney, Agent, or Firm—Roberts B. Larson

[57] **CLAIM**

The ornamental design for a faucet, as shown and described.

DESCRIPTION

FIG. 1 is a perspective view of a faucet showing my new design.

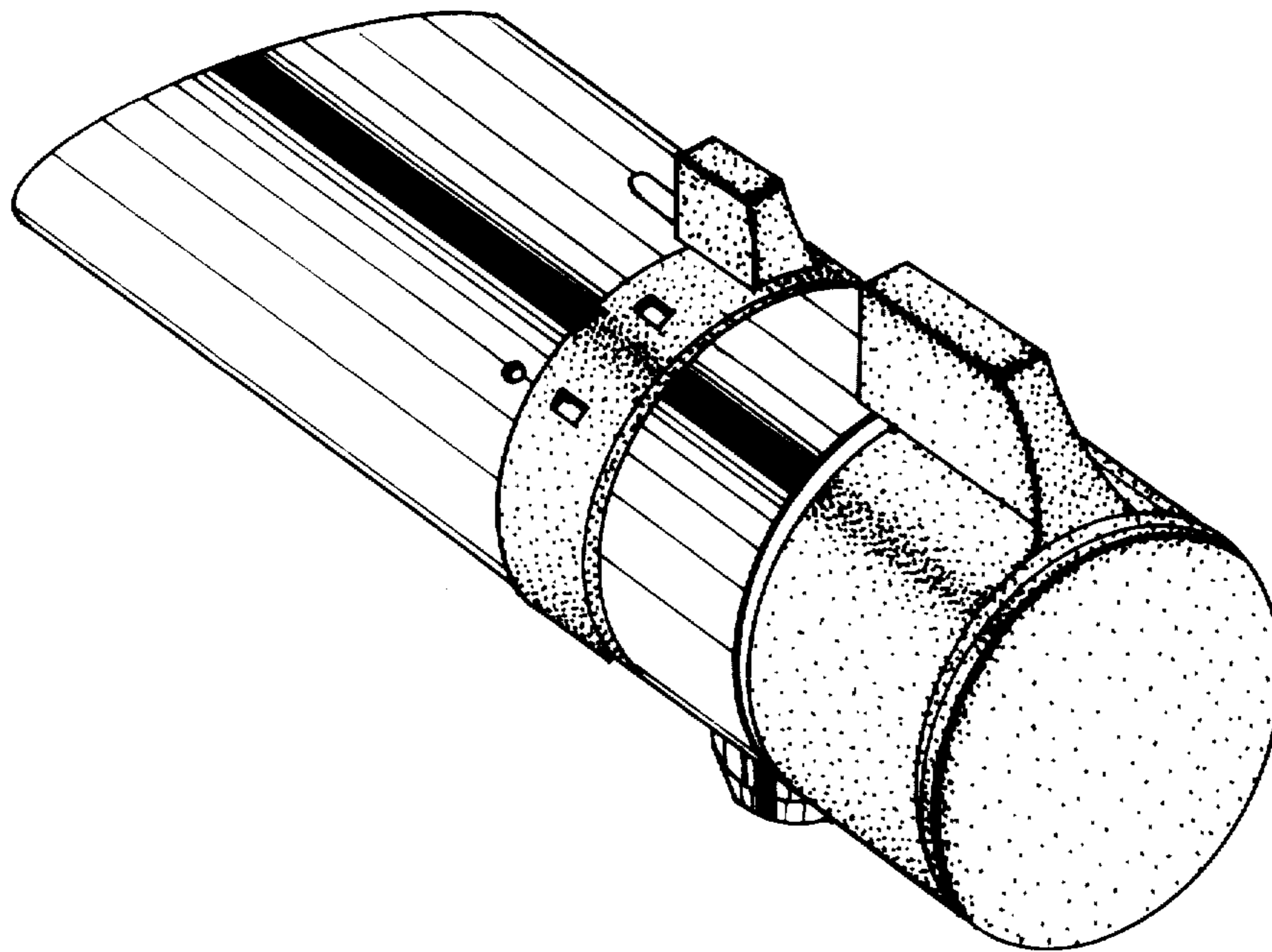
FIG. 2 is a front view thereof.

FIG. 3 is a side elevational view thereof, the opposite side being a mirror image of the side shown.

FIG. 4 is a rear view thereof.

FIG. 5 is a top view thereof.

FIG. 6 is a bottom view thereof.



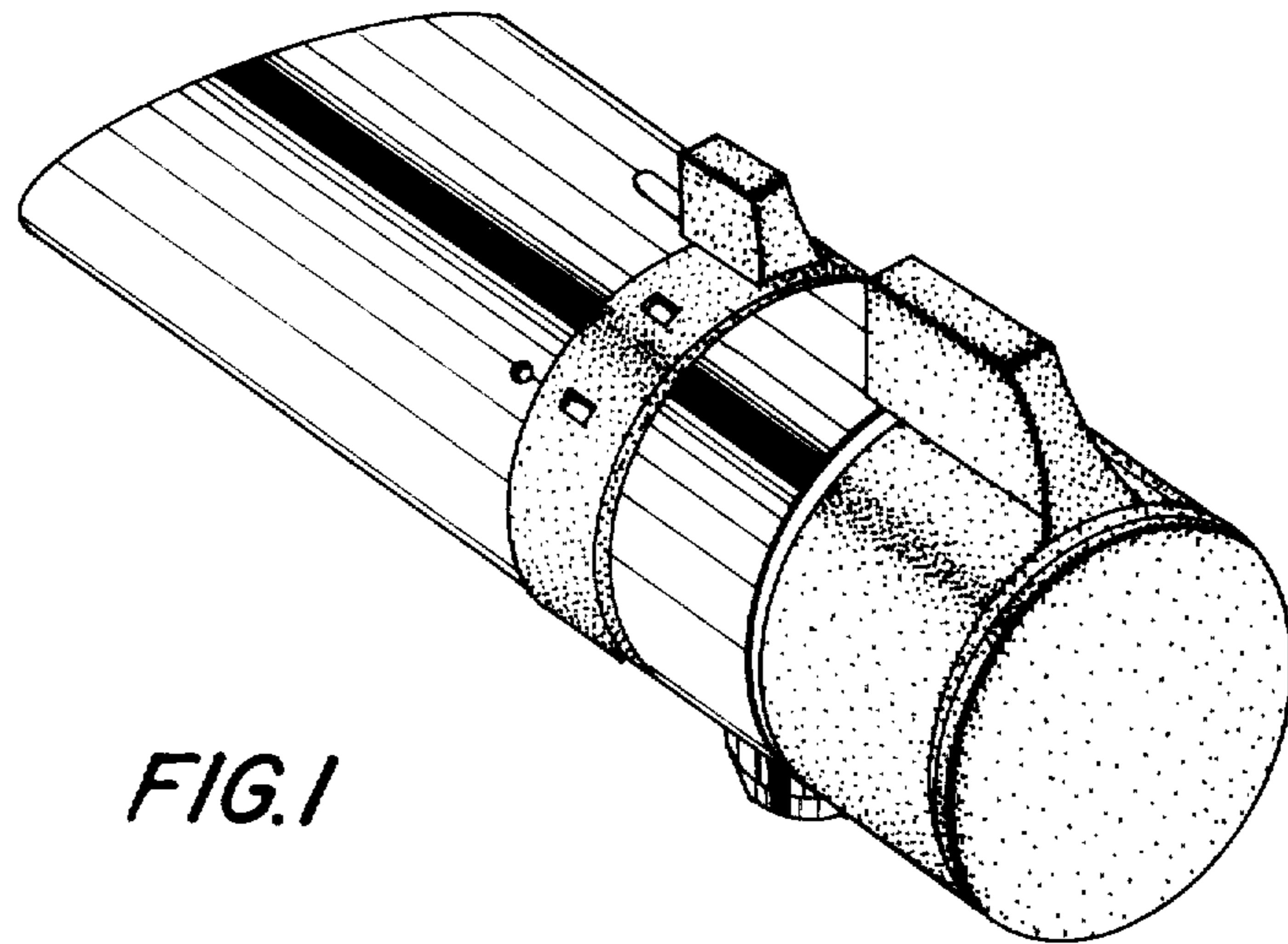


FIG. 1

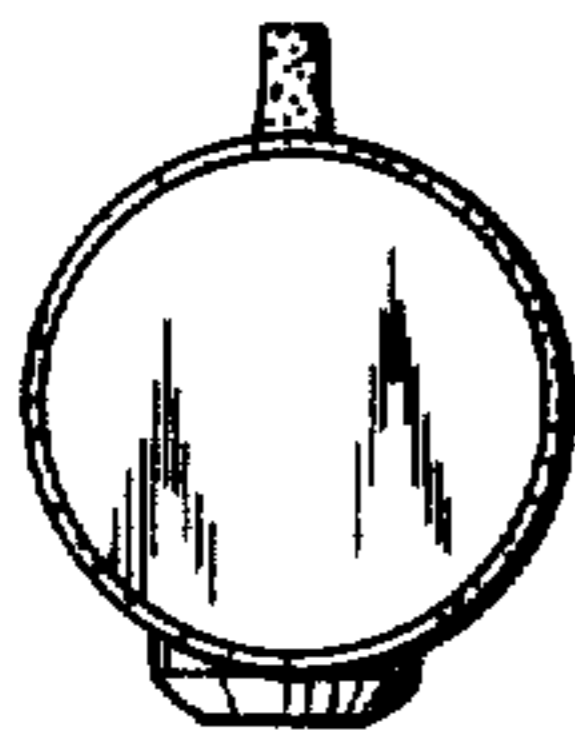


FIG. 2

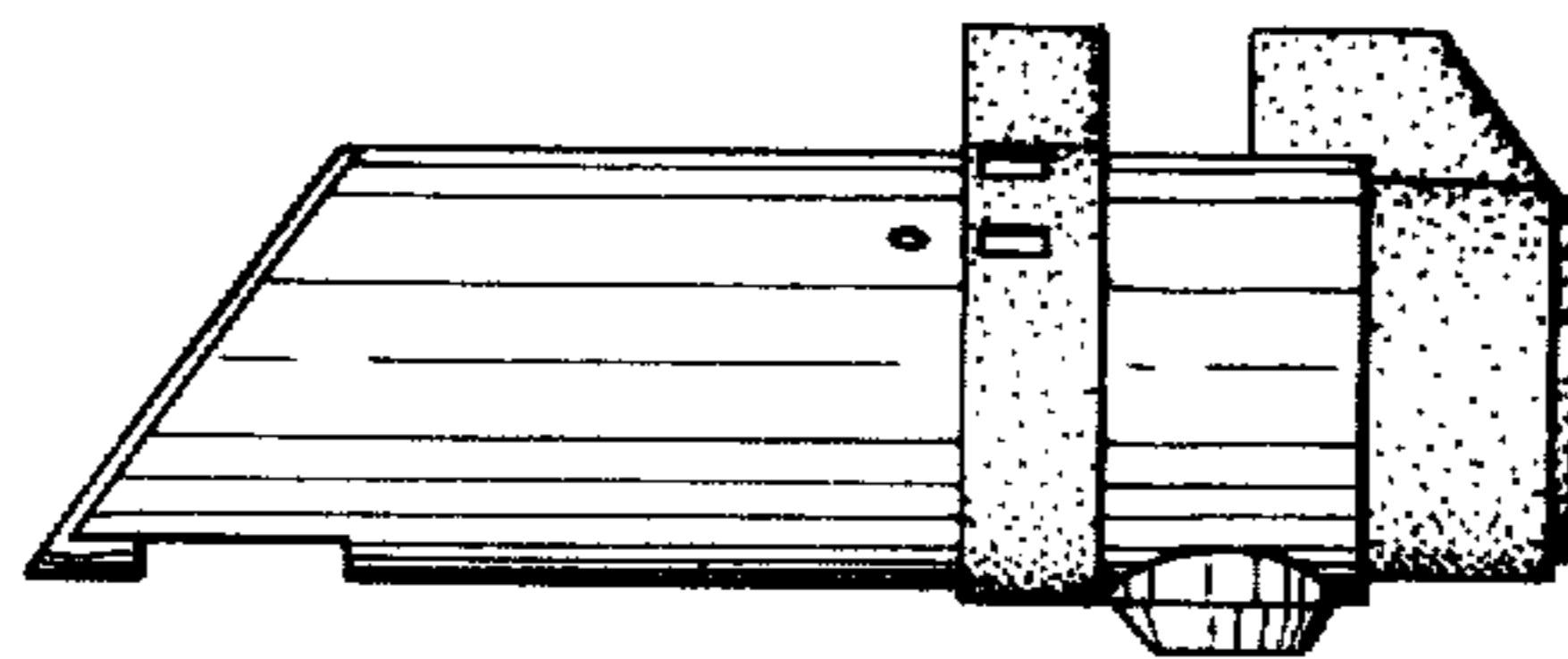


FIG. 3

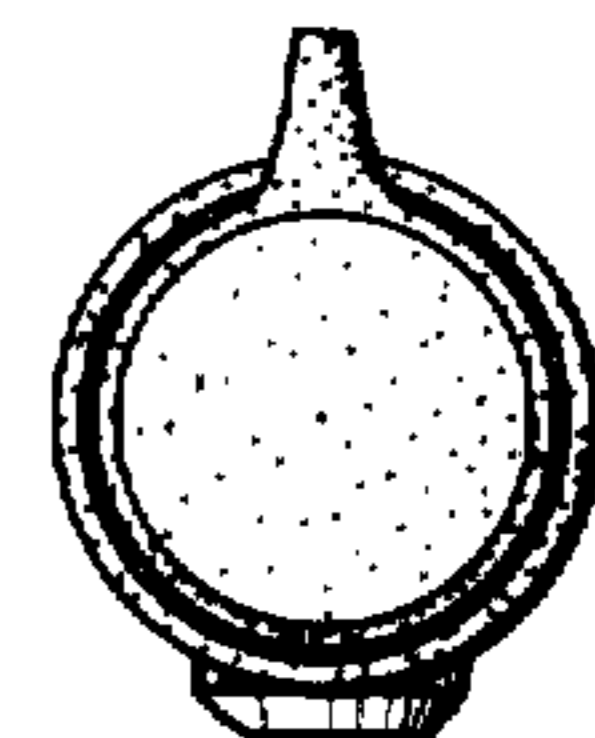


FIG. 4

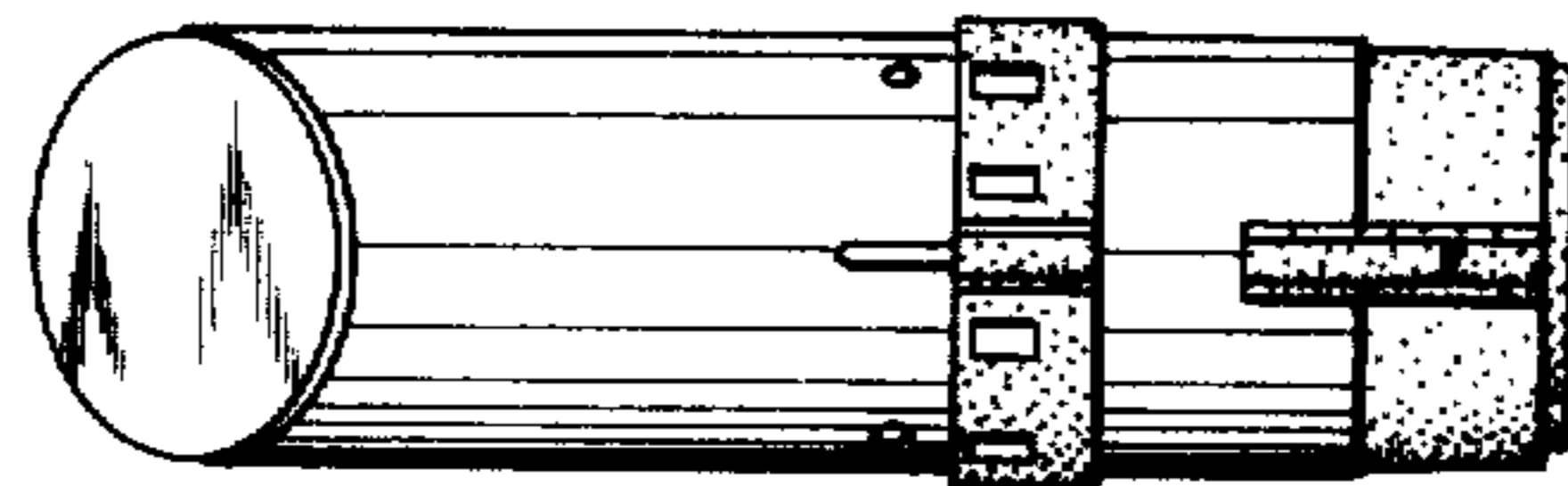


FIG. 5

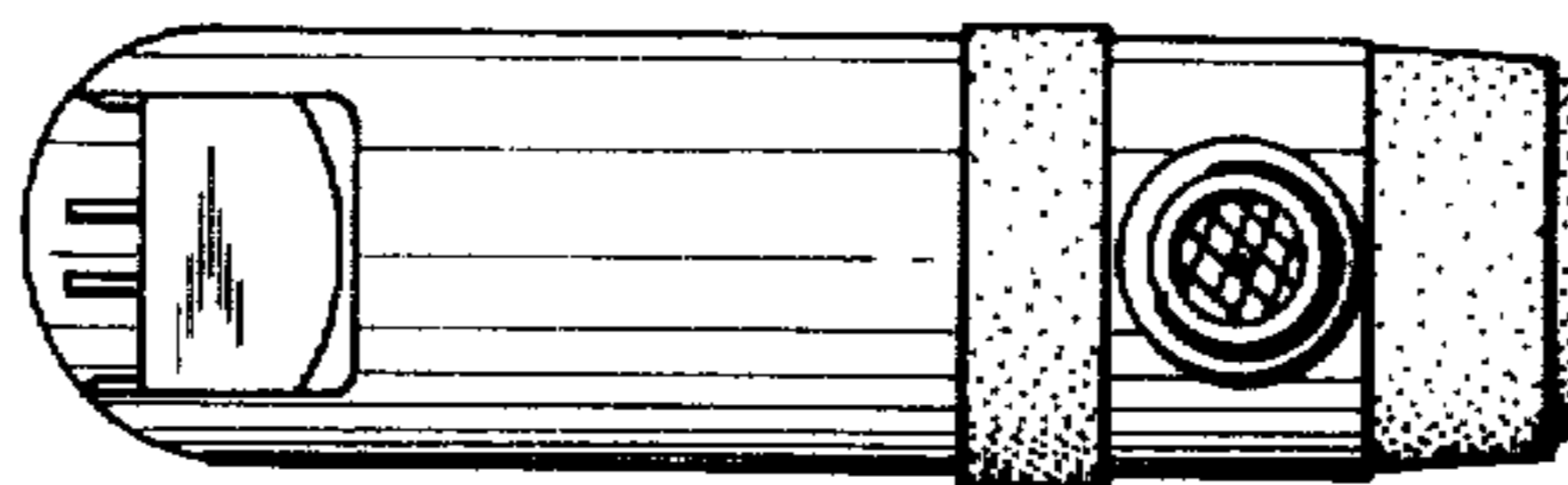


FIG. 6