

[54] **SPOUT**

[76] Inventors: **Rune G. Monö**, Nasbyvagen 3, 183 30 Taby; **Michele Morichetto**, Mollagatan 36, 502 46 Boras, both of Sweden

[**] Term: **14 Years**

[21] Appl. No.: **607,597**

[22] Filed: **Aug. 25, 1975**

[30] **Foreign Application Priority Data**

Feb. 25, 1975	Sweden	75417
Feb. 25, 1975	Sweden	75418
Feb. 25, 1975	Sweden	75419

[51] **Int. Cl.** **D23—01**

[52] **U.S. Cl.** **D23/32**

[58] **Field of Search** **D23/23-35;**
137/801

[56] **References Cited**

U.S. PATENT DOCUMENTS

2,367,809	1/1945	Stein et al.	137/801
2,585,997	2/1952	Bruewer	137/801
D. 187,845	5/1960	Kohler	D23/32
D. 203,246	12/1965	Harvey et al.	D23/23
D. 219,740	1/1971	Niemann	D23/32
D. 221,429	8/1971	Petterson	D23/32
D. 227,467	6/1973	Genaro et al.	D23/32

OTHER PUBLICATIONS

Product Engineering, Nov. 11, 1963, p. 7.

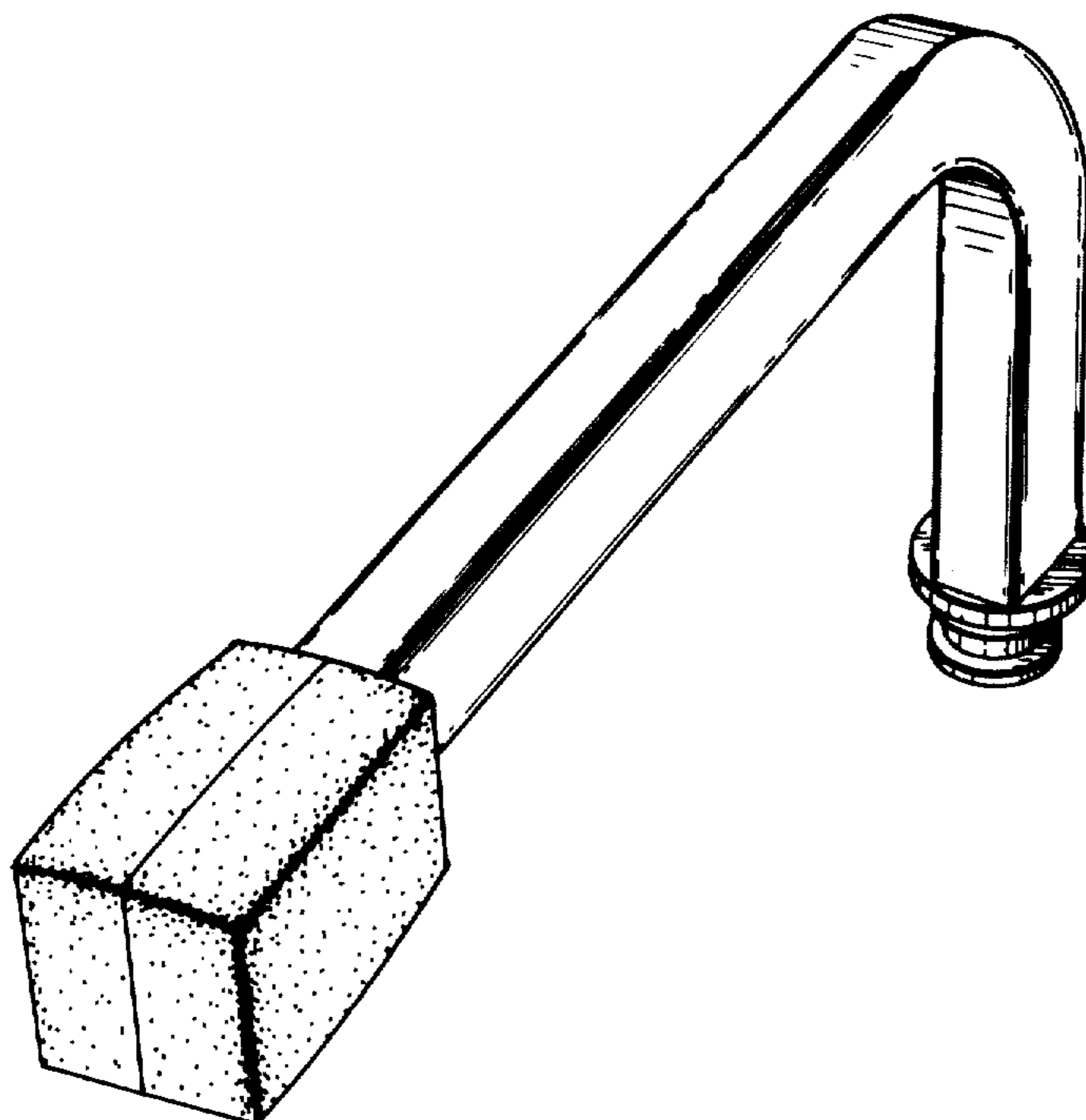
Primary Examiner—James R. Largen
Attorney, Agent, or Firm—Roberts B. Larson

[57] **CLAIM**

The ornamental design for a spout, as shown and described.

DESCRIPTION

FIG. 1 is a perspective view of a spout showing my new design.
FIG. 2 is a front view thereof.
FIG. 3 is a side elevational view thereof, the opposite side being a mirror image of the side shown;
FIG. 4 is a rear view thereof.
FIG. 5 is a top view thereof.
FIG. 6 is a bottom view thereof.
FIG. 7 is a perspective view of a modified form of the spout shown in FIG. 1.
FIG. 8 is a front view of FIG. 7.
FIG. 9 is a side elevational view of FIG. 7, the opposite side being a mirror image of the side shown.
FIG. 10 is a rear elevational view of FIG. 7.
FIG. 11 is a top plan view of FIG. 7.
FIG. 12 is a bottom plan view of FIG. 7.
FIG. 13 is a perspective view of a second modified form of the spout shown in FIG. 1.
FIG. 14 is a front elevational view of FIG. 13.
FIG. 15 is a side elevational view of FIG. 13, the opposite side being a mirror image of the side shown.
FIG. 16 is a rear elevational view of FIG. 13.
FIG. 17 is a top plan view of FIG. 13.
FIG. 18 is a bottom plan view of FIG. 13.



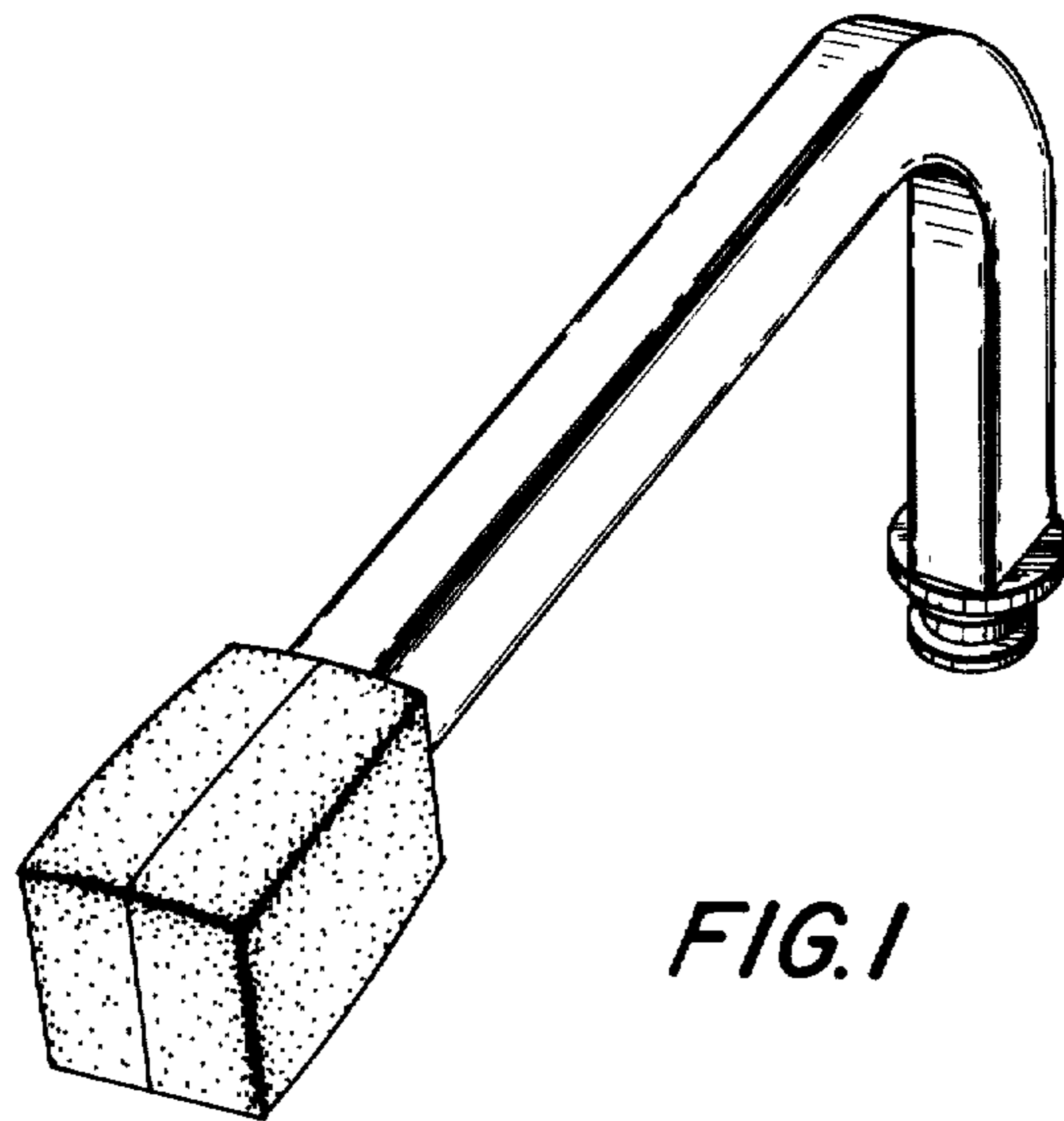


FIG. 1



FIG. 2

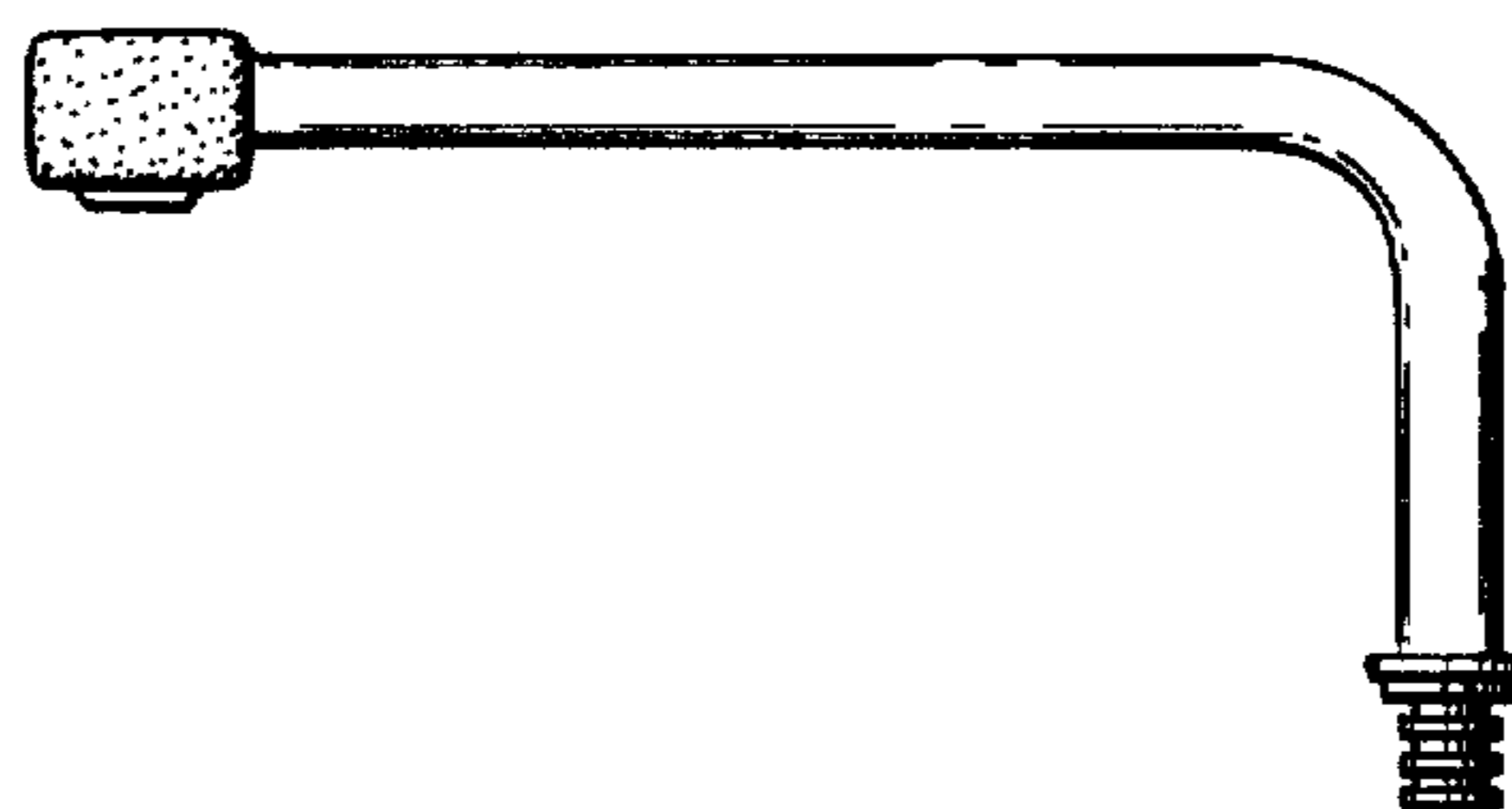


FIG. 3



FIG. 4

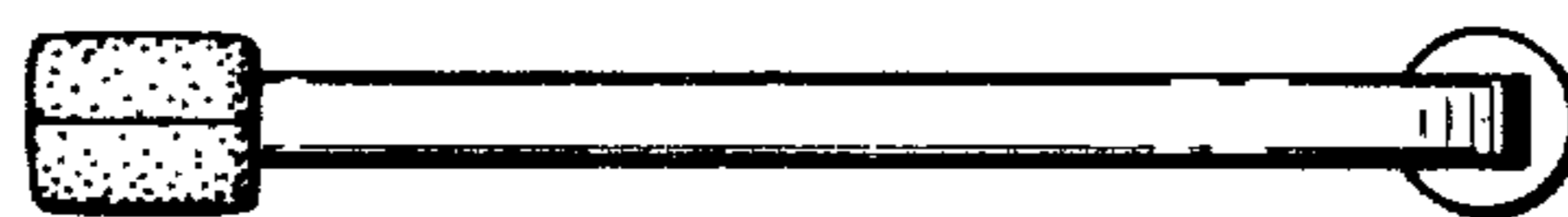


FIG. 5



FIG. 6

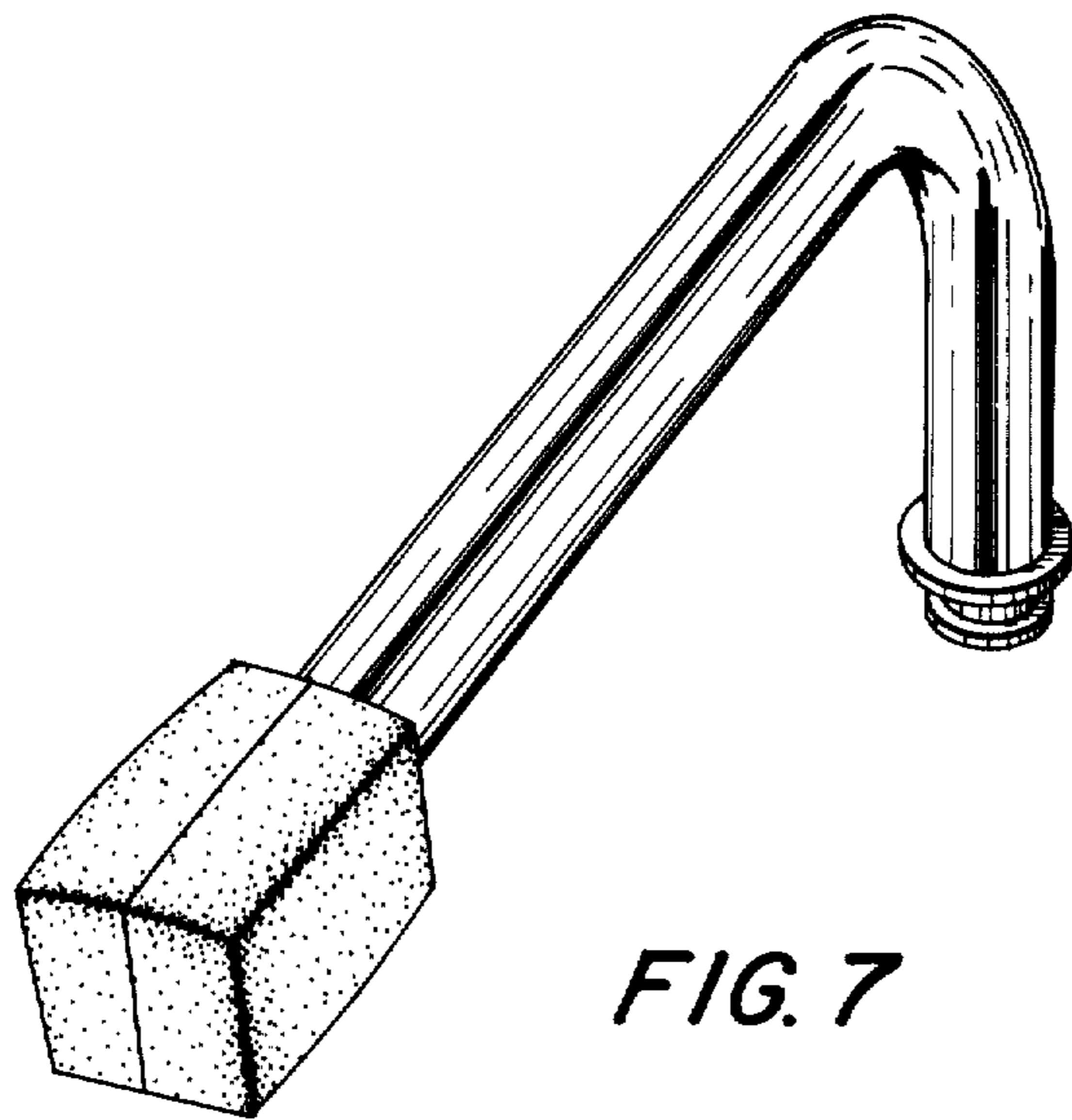


FIG. 7

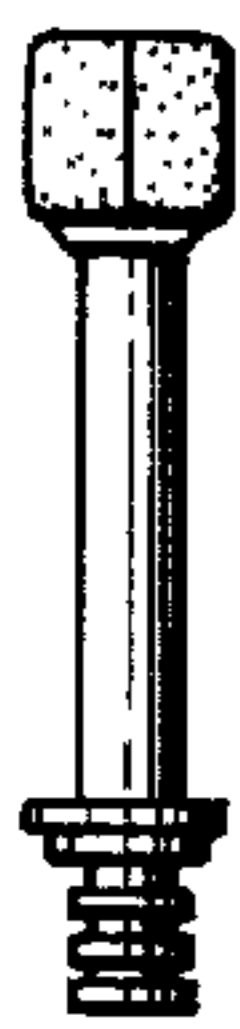


FIG. 8

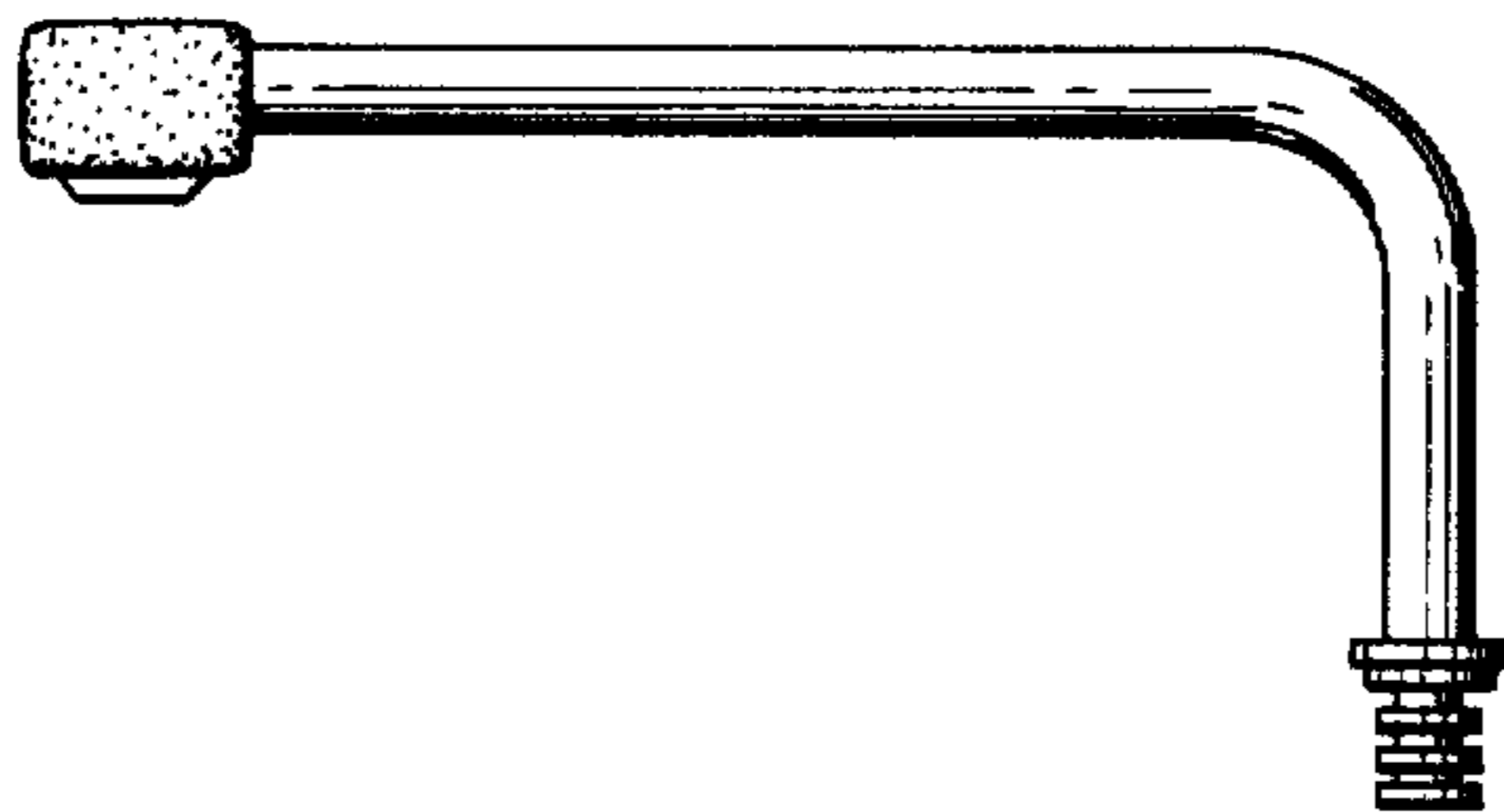


FIG. 9



FIG. 10

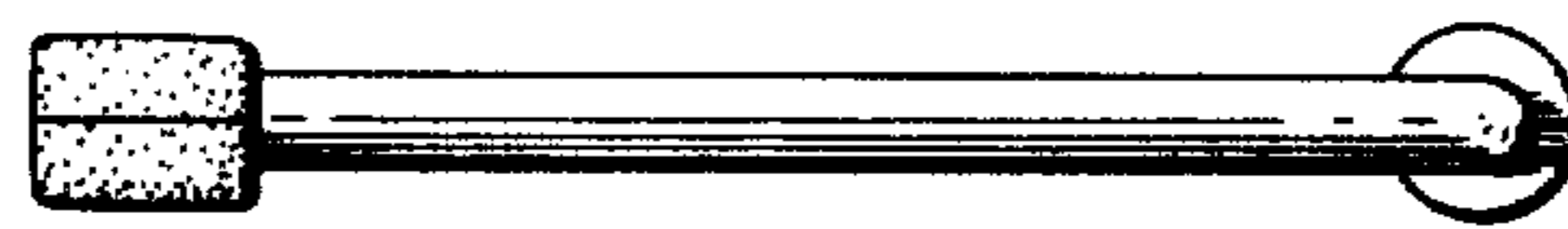


FIG. 11

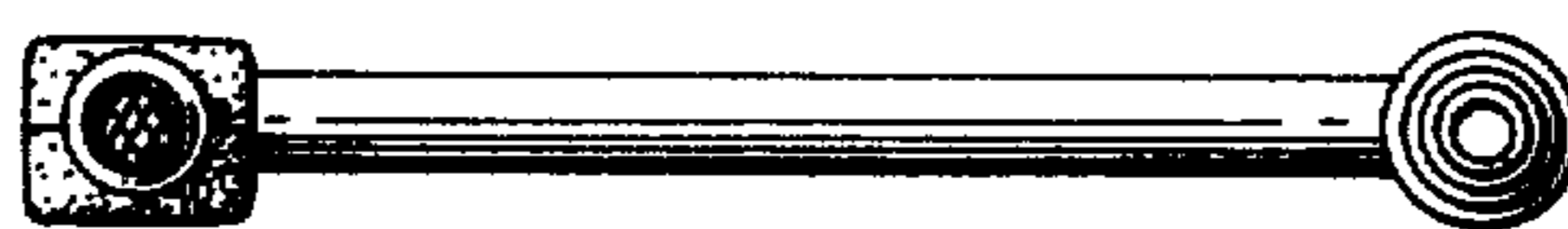


FIG. 12

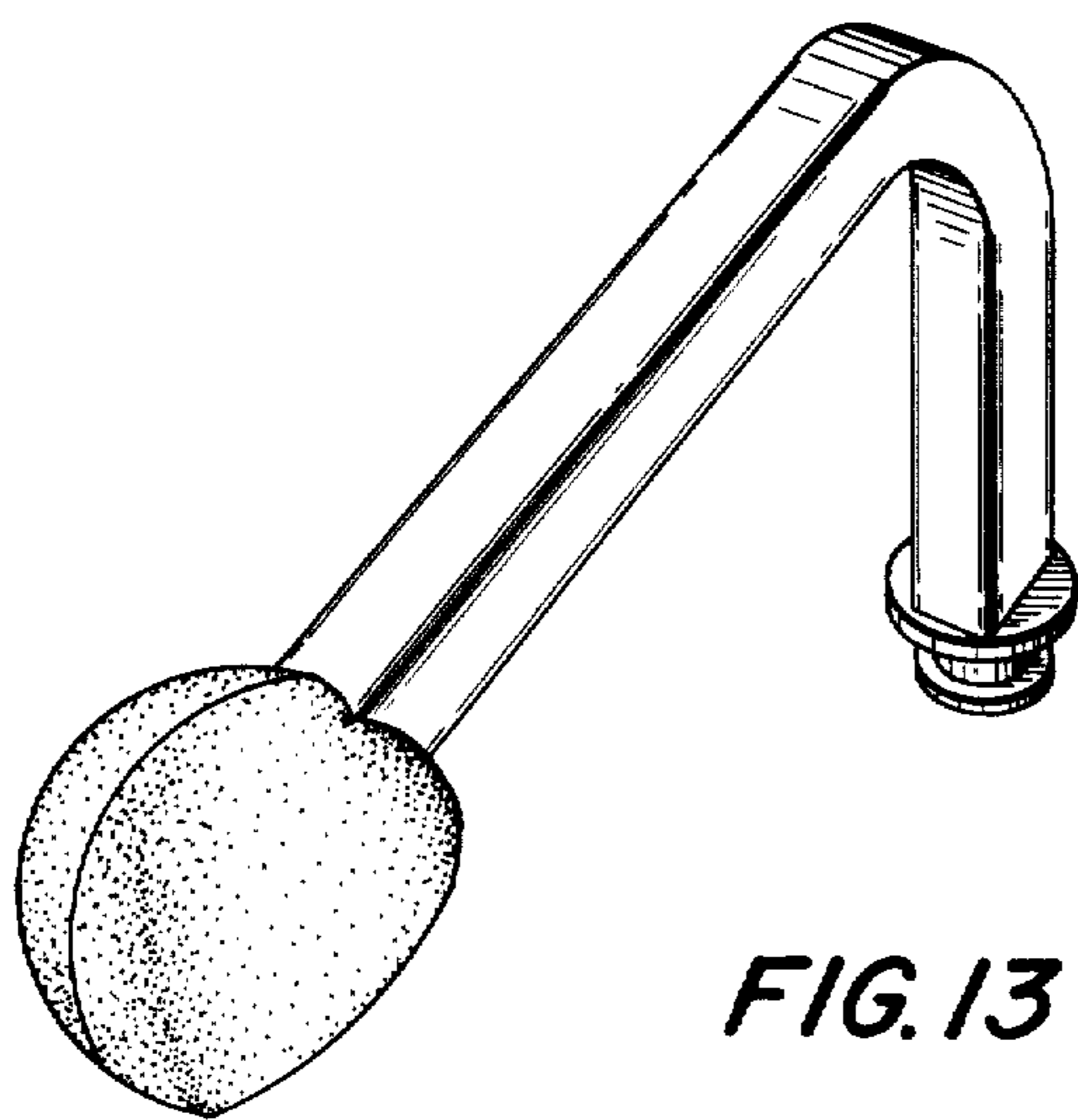


FIG. 13

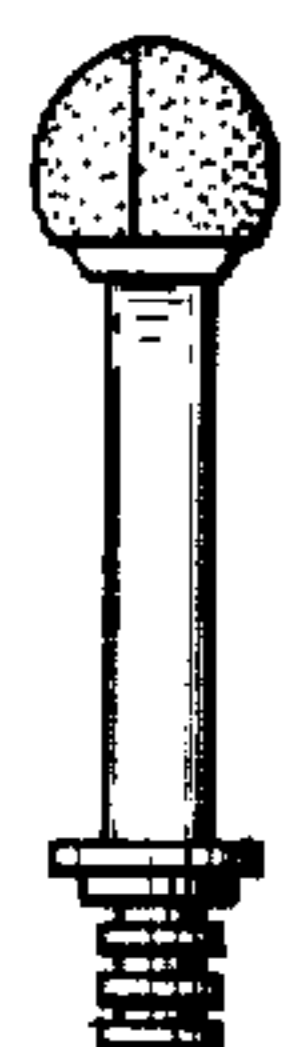


FIG. 14

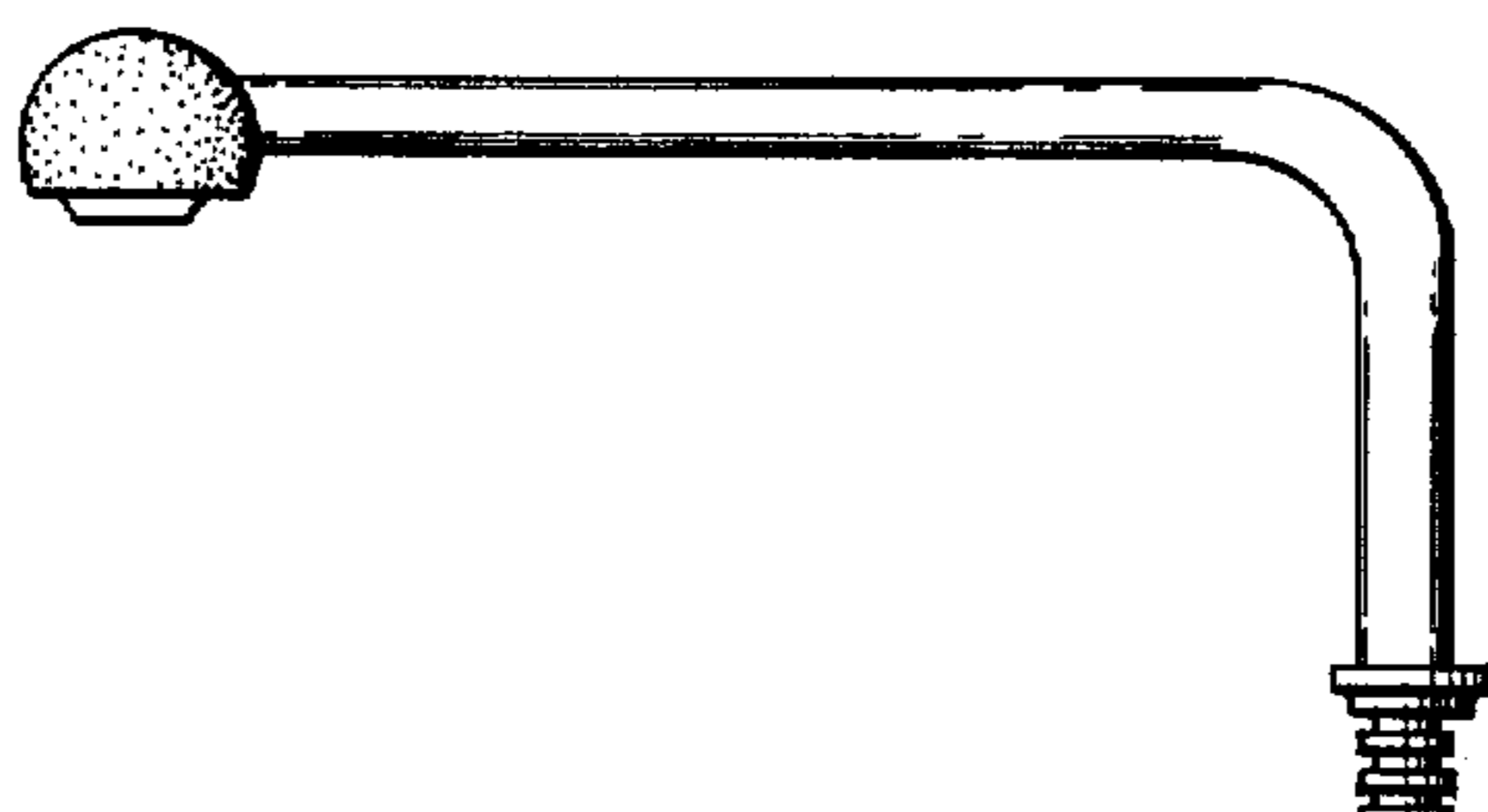


FIG. 15

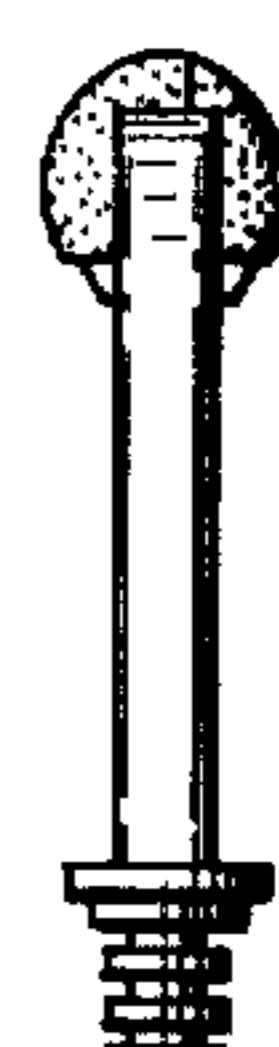


FIG. 16

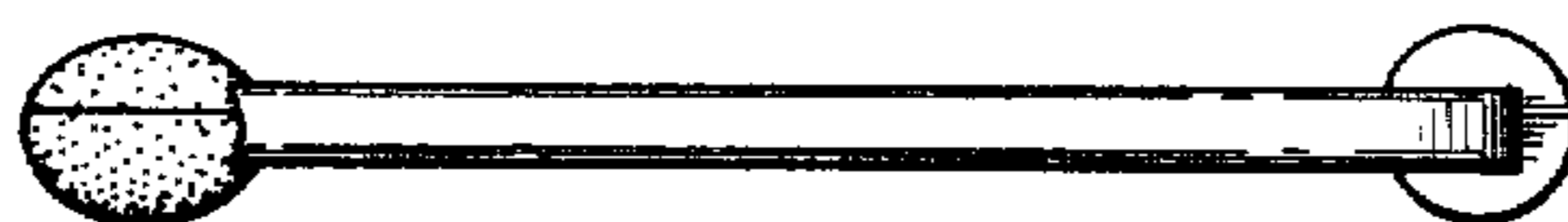


FIG. 17

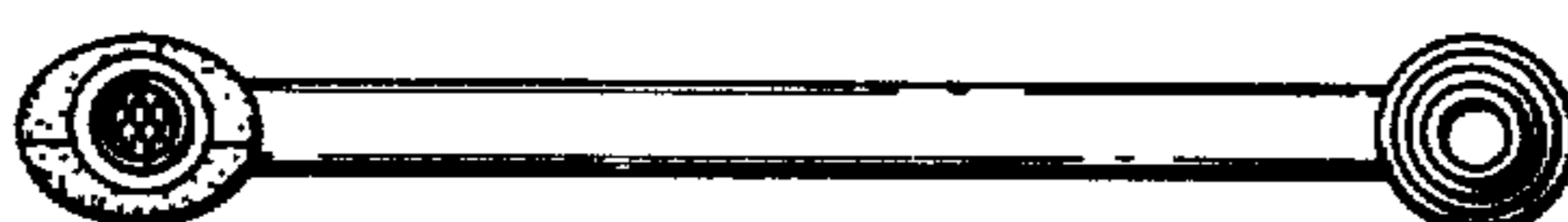


FIG. 18