

[54] LIST FINDER

[75] Inventor: Mel Evenson, Santa Monica, Calif.

[73] Assignee: Eldon Industries, Inc., Hawthorne, Calif.

[**] Term: 14 Years

[21] Appl. No.: 541,425

[22] Filed: Jan. 16, 1975

[51] Int. Cl. D19-02

[52] U.S. Cl. D19/76

[58] Field of Search D19/76; 40/104.01, 104.05

[56] References Cited

U.S. PATENT DOCUMENTS

2,551,213	5/1951	Lang	40/104.01
2,575,482	10/1950	Berger	40/104.01
3,820,264	6/1974	Mori	D19/76

OTHER PUBLICATIONS

Office Products, 2/73, p. 12.

Primary Examiner—Joel Stearman

Assistant Examiner—George P. Word

Attorney, Agent, or Firm—Edward D. O'Brian

[57] CLAIM

The ornamental design for a list finder, substantially as shown and described.

DESCRIPTION

FIG. 1 is a perspective view of a list finder showing my new design;

FIG. 2 is a front elevational view;

FIG. 3 is a rear elevational view;

FIG. 4 is a right-end elevational view;

FIG. 5 is a bottom plan view thereof; and

FIG. 6 is a perspective view of a modified form of the list finder.

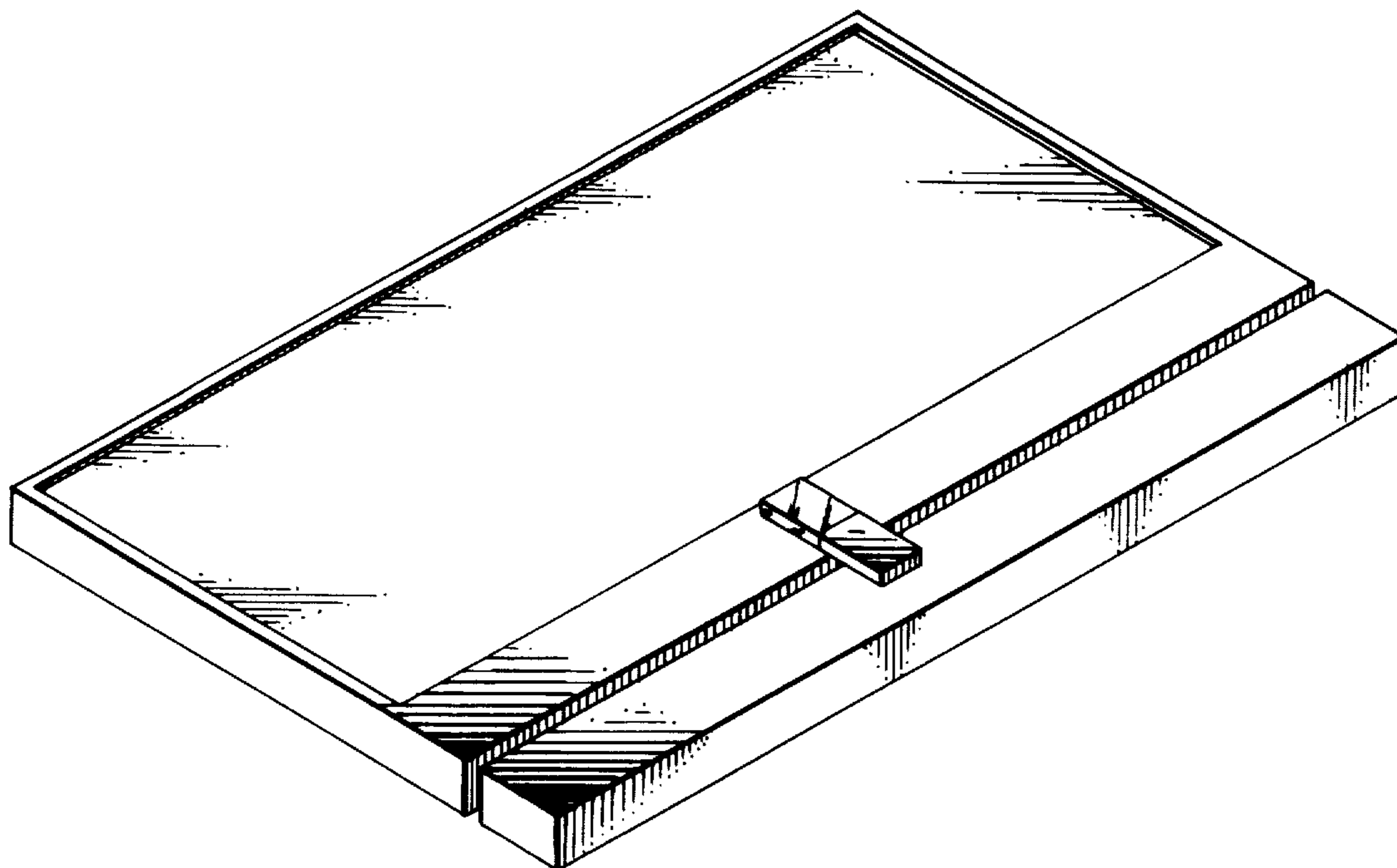


FIG. 1.

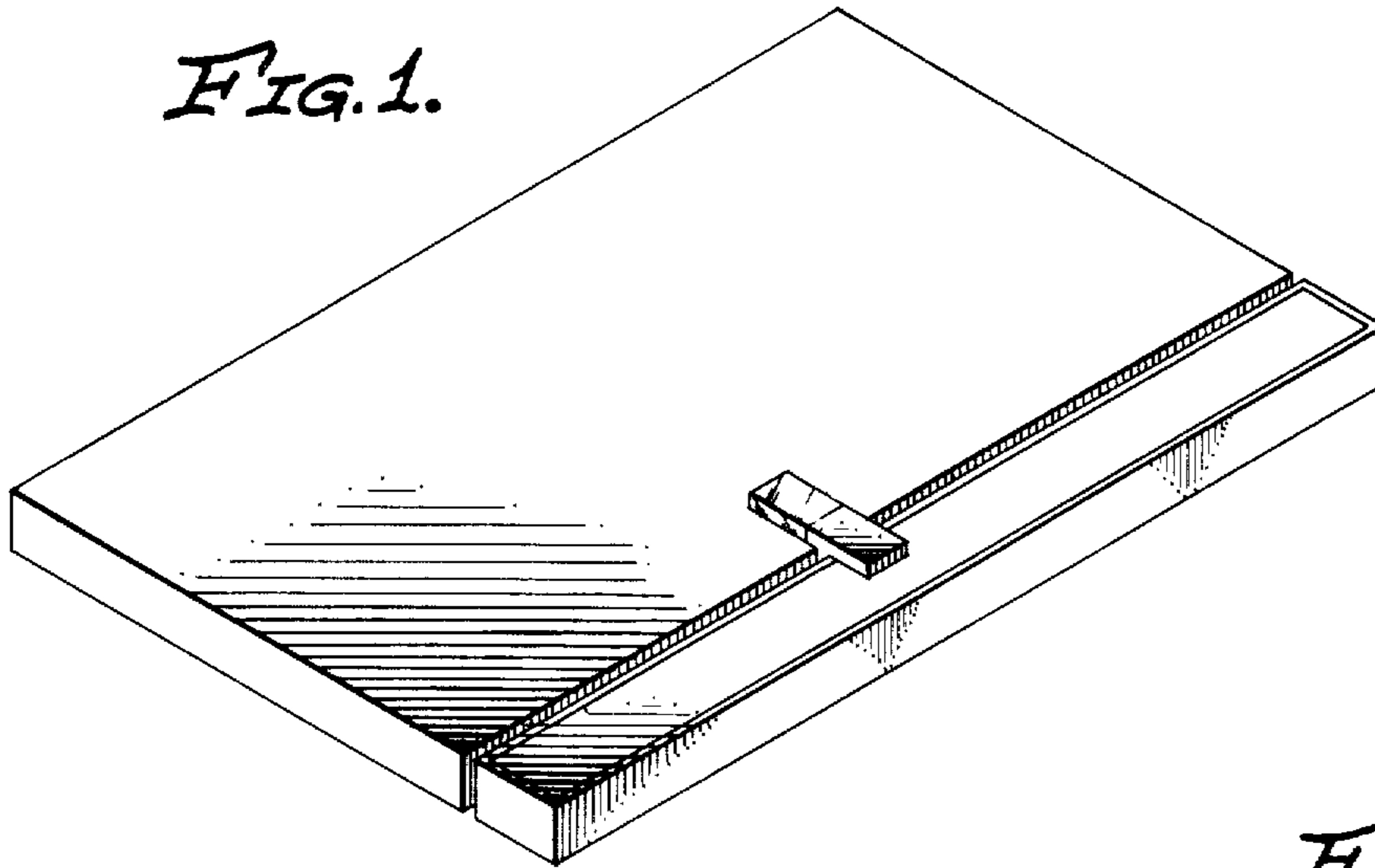


FIG. 2.

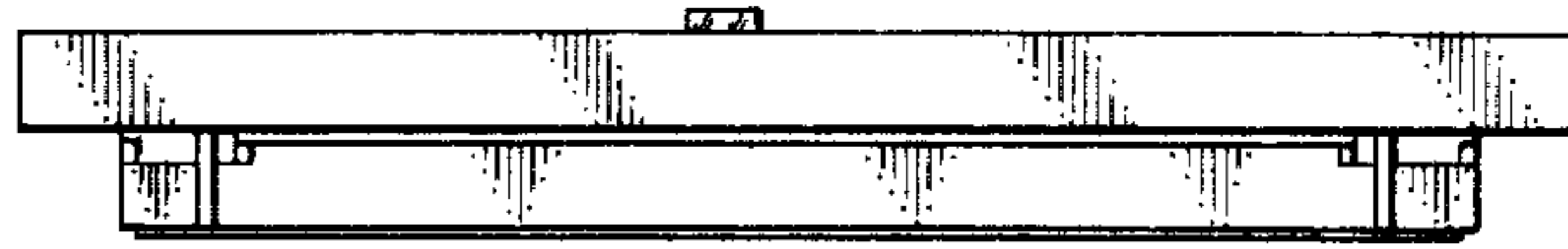


FIG. 3.



FIG. 4.

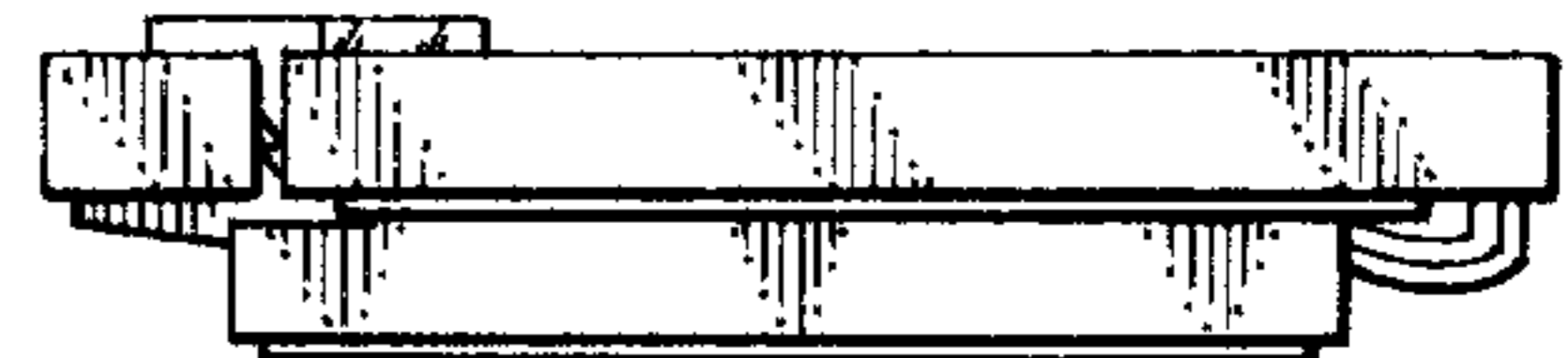


FIG. 5.

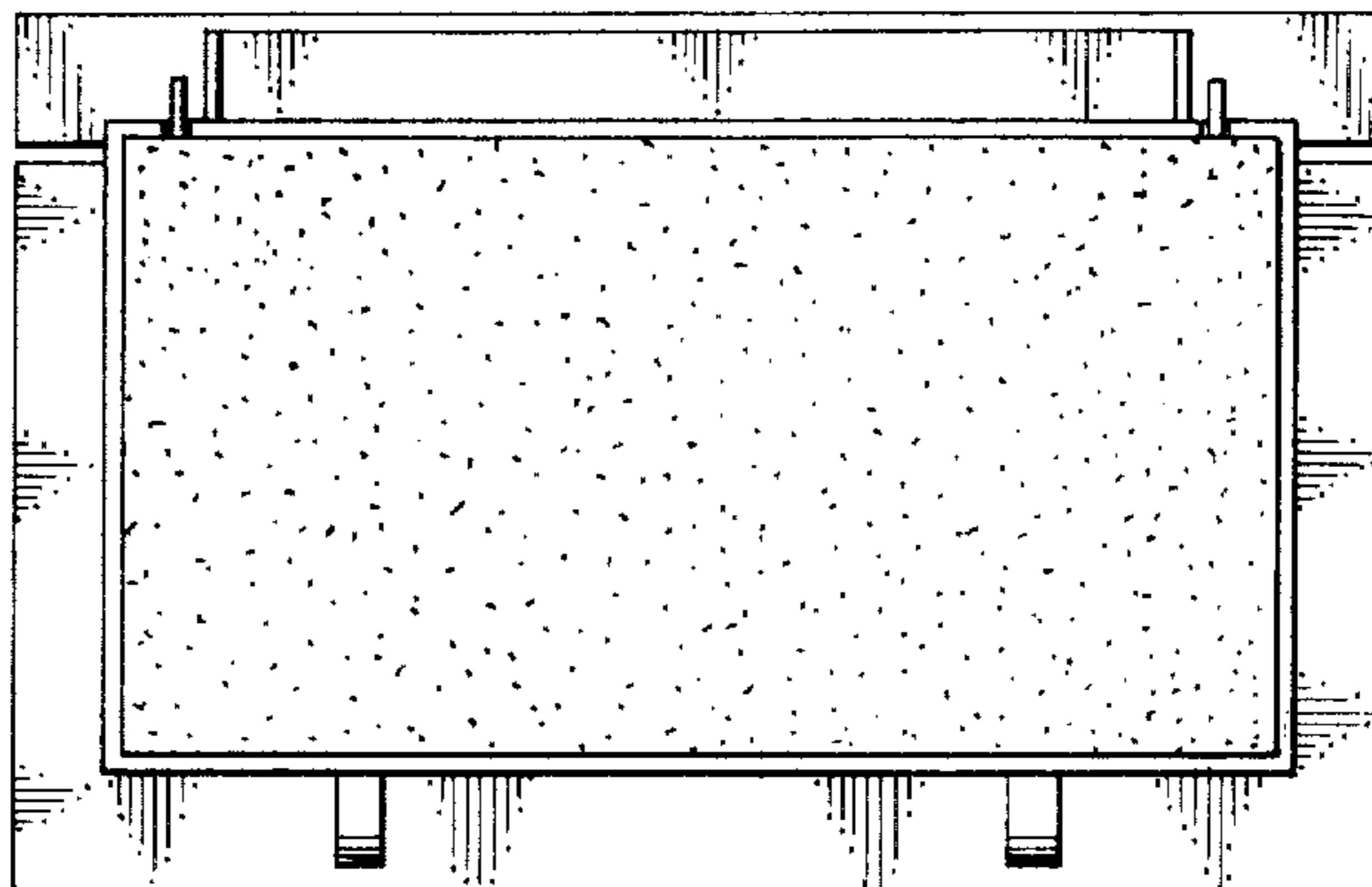


FIG. 6

