

[54] **EDUCATIONAL CHROMATOGRAPH**

[76] Inventor: **John P. Salsgiver**, 29 Ethan Allen Drive, Acton, Mass. 01720

[\*\*] Term: **14 Years**

[21] Appl. No.: **505,856**

[22] Filed: **Sept. 13, 1974**

[51] Int. Cl. .... **D19-07**

[52] U.S. Cl. .... **D19/62**

[58] Field of Search ..... D19/62, 59; 35/19 A, 35/19 R; 210/198 C, 31 R, 31 C

[56] **References Cited**

**OTHER PUBLICATIONS**

Chromatography, Schaar & Co., Cat. AC-56, p. 18, upper right illustration.

Scientific Products, 1961, p. 304, item c5050.

*Primary Examiner*—Melvin B. Feifer

*Attorney, Agent, or Firm*—John P. Salsgiver

[57] **CLAIM**

The ornamental design for educational chromatograph, as shown and described.

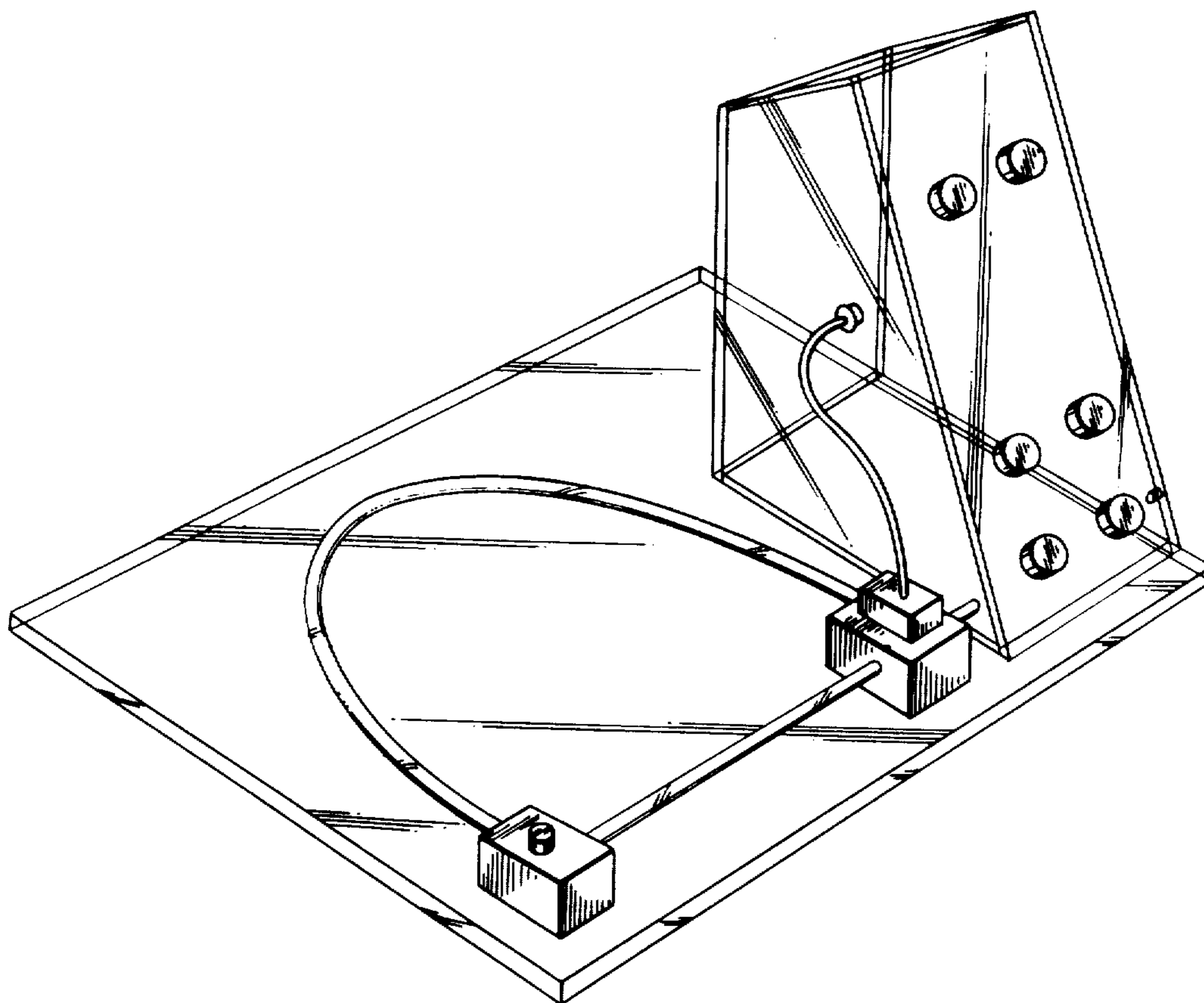
**DESCRIPTION**

FIG. 1 is a perspective view showing the educational chromatography according to my design.

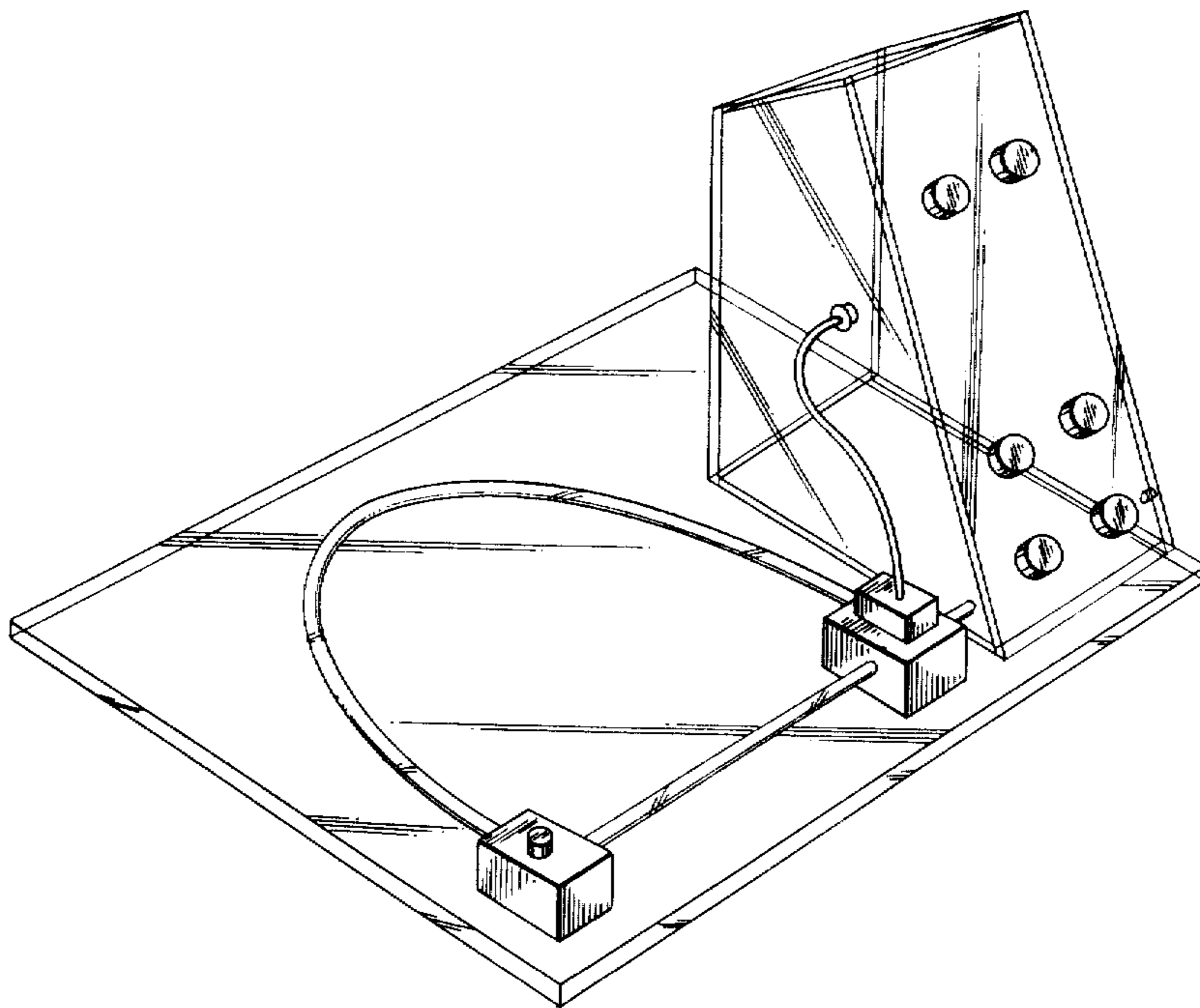
FIG. 2 is a view in rear elevation.

FIG. 3 is a view in right side elevation.

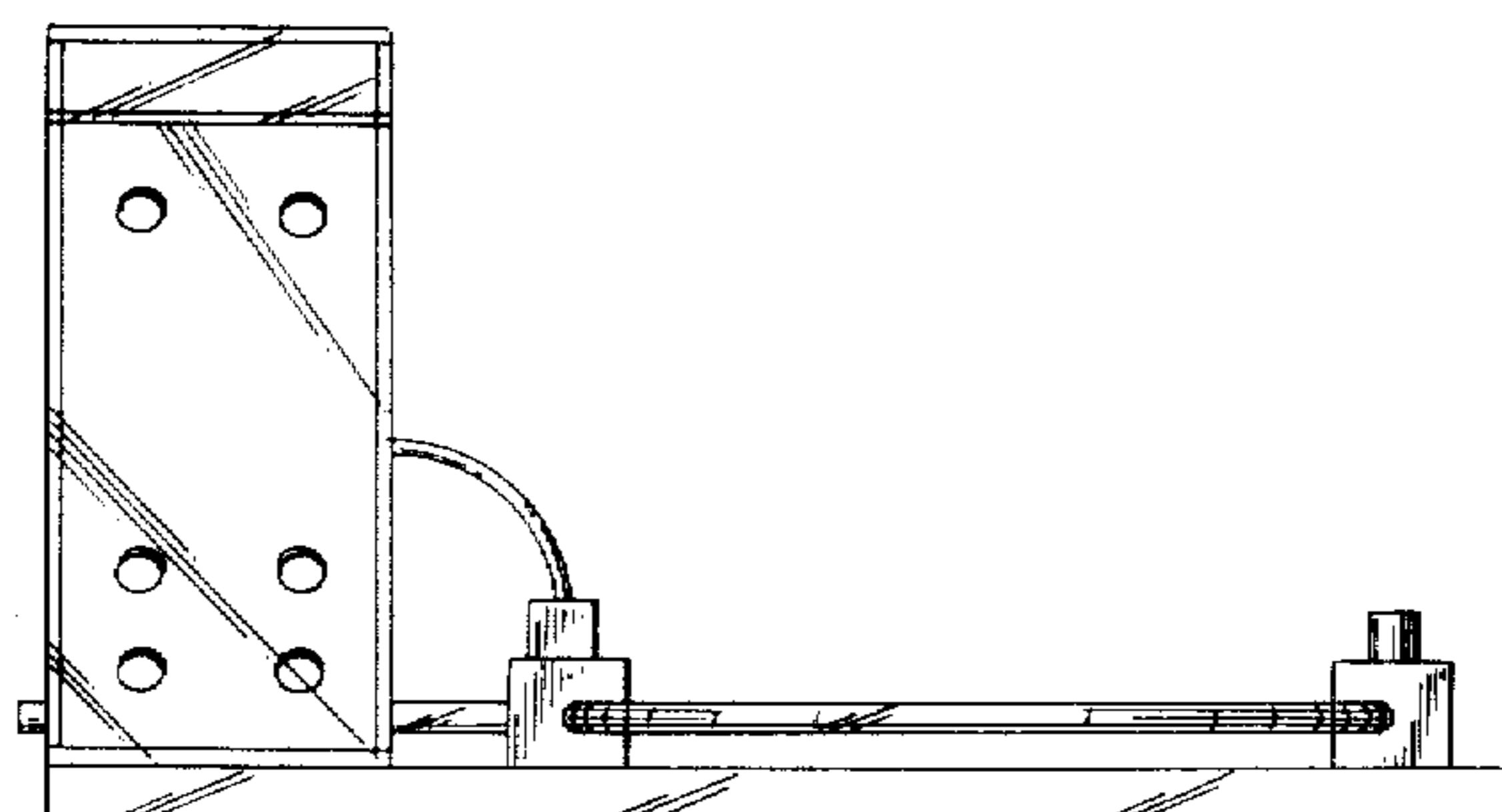
FIG. 4 is a view in left side elevation.



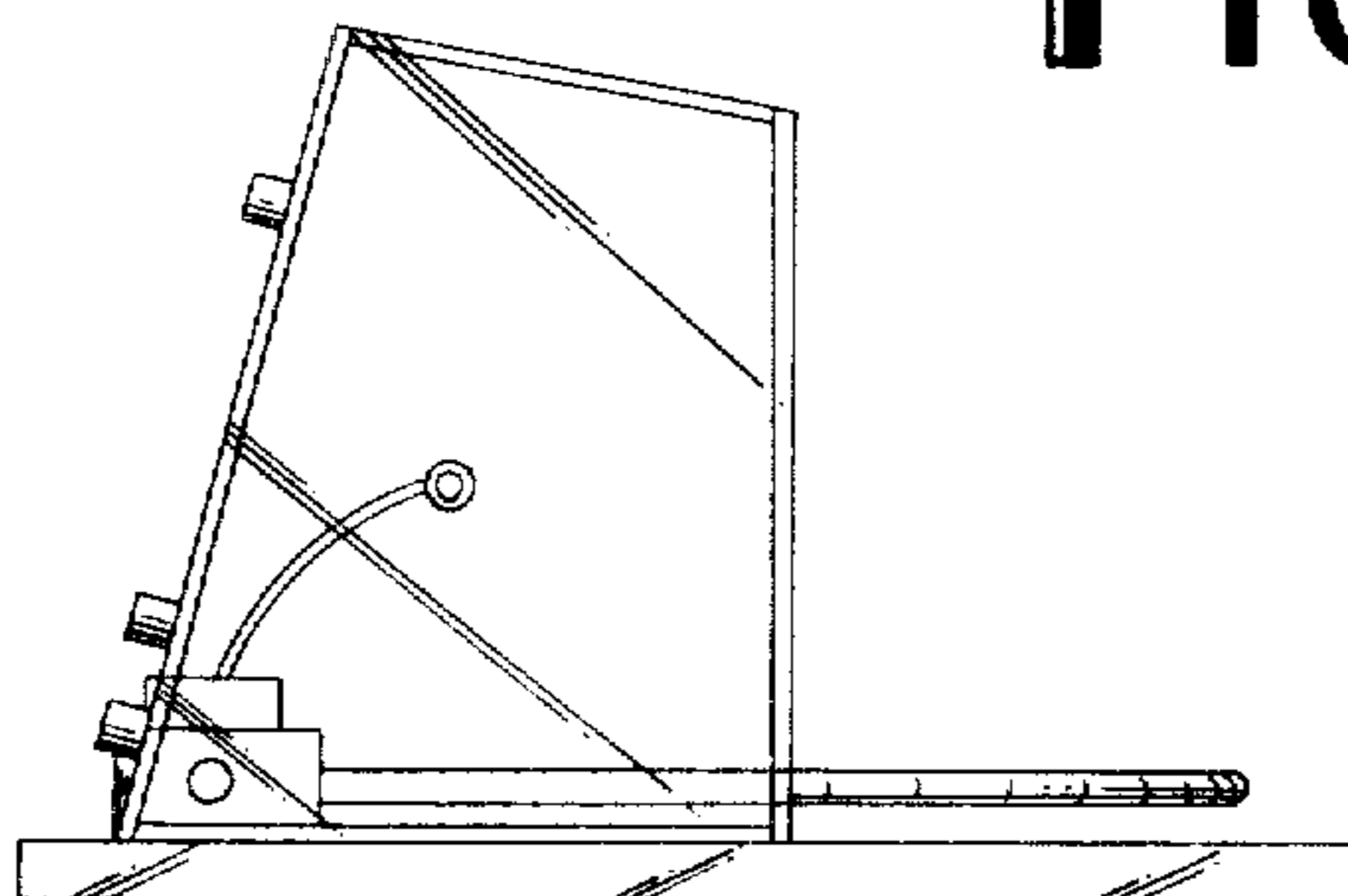
**FIG. 1**



**FIG. 2**



**FIG. 3**



**FIG. 4**

