

[54] TELEVISION CAMERA

[75] Inventor: Hans Erich Slany, Esslingen, Germany

[73] Assignee: Robert Bosch G.m.b.H., Stuttgart, Germany

[**] Term: 14 Years

[21] Appl. No.: 491,866

[22] Filed: July 25, 1974

[30] Foreign Application Priority Data

Jan. 26, 1974 Germany 668

[51] Int. Cl. D16-01

[52] U.S. Cl. D16/1

[58] Field of Search D61/1 A, 1 B, 1 C, 1 E, D61/1 F, 1 J, 1 H, 1 K, 1 L, 1 N; 252/72, 94-96, 104, 220, 221, 226, 242; 353/49, 47, 67, 74, 114, 119, 122; 354/126, 145, 152, 158, 162, 202, 288, 293; 240/1.3

[56] References Cited

U.S. PATENT DOCUMENTS

3,613,538 10/1971 Horberg D61/1 C

OTHER PUBLICATIONS

Industrial Design, 8-1959, p. 91, "ITT" TV Camera. Photo Technik und Wirtschaft, 3-1973, p. 101, Movie Camera.

Primary Examiner—Joel Stearman
Assistant Examiner—C. A. Rademaker
Attorney, Agent, or Firm—Michael S. Striker

[57] CLAIM

The ornamental design for a television camera, substantially as shown and described.

DESCRIPTION

FIG. 1 is a side elevational view of a television camera embodying my new design, the side opposite being identical;

FIG. 2 is a rear elevational view thereof shown on a slightly enlarged scale;

FIG. 3 is a top plan view of FIG. 1;

FIG. 4 is a front elevational view thereof, shown on a slightly enlarged scale; and,

FIG. 5 is a bottom plan view of FIG. 1.

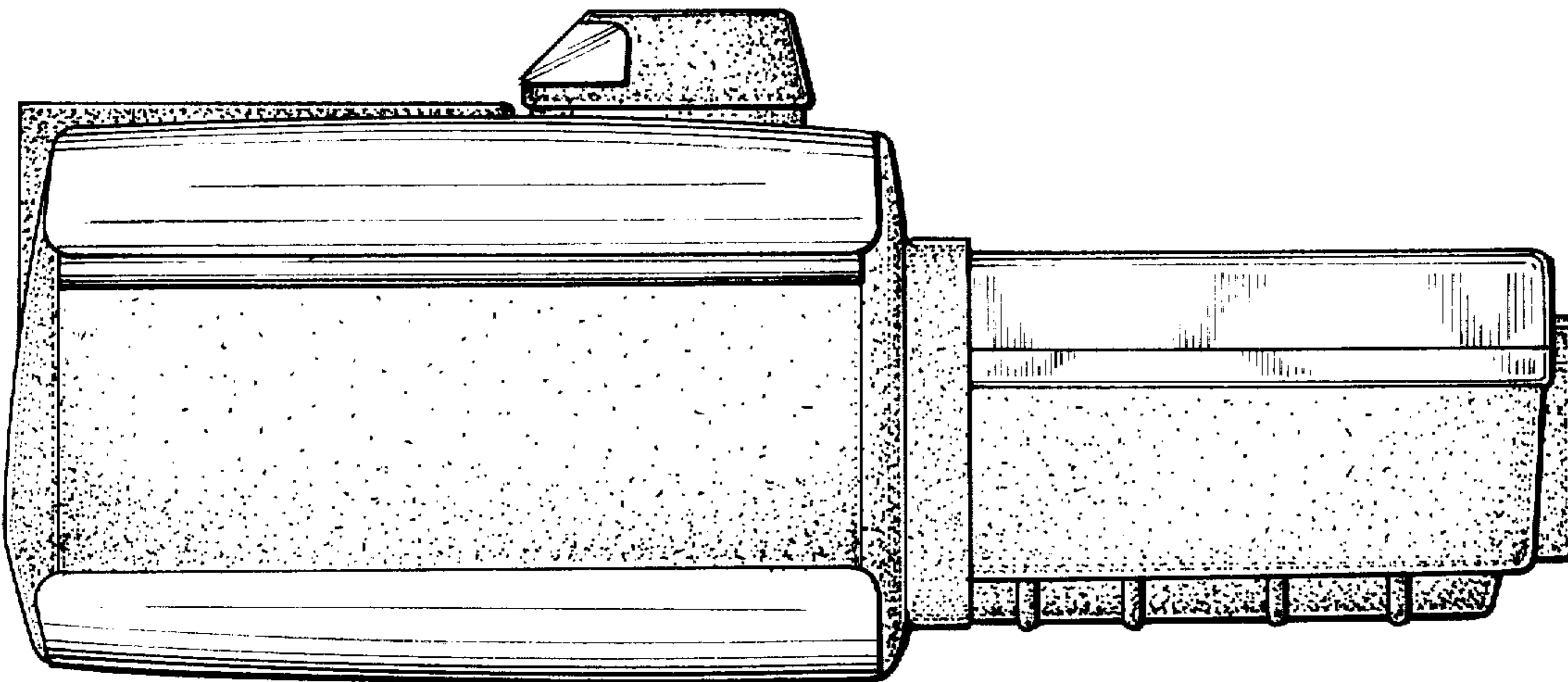


FIG. 1

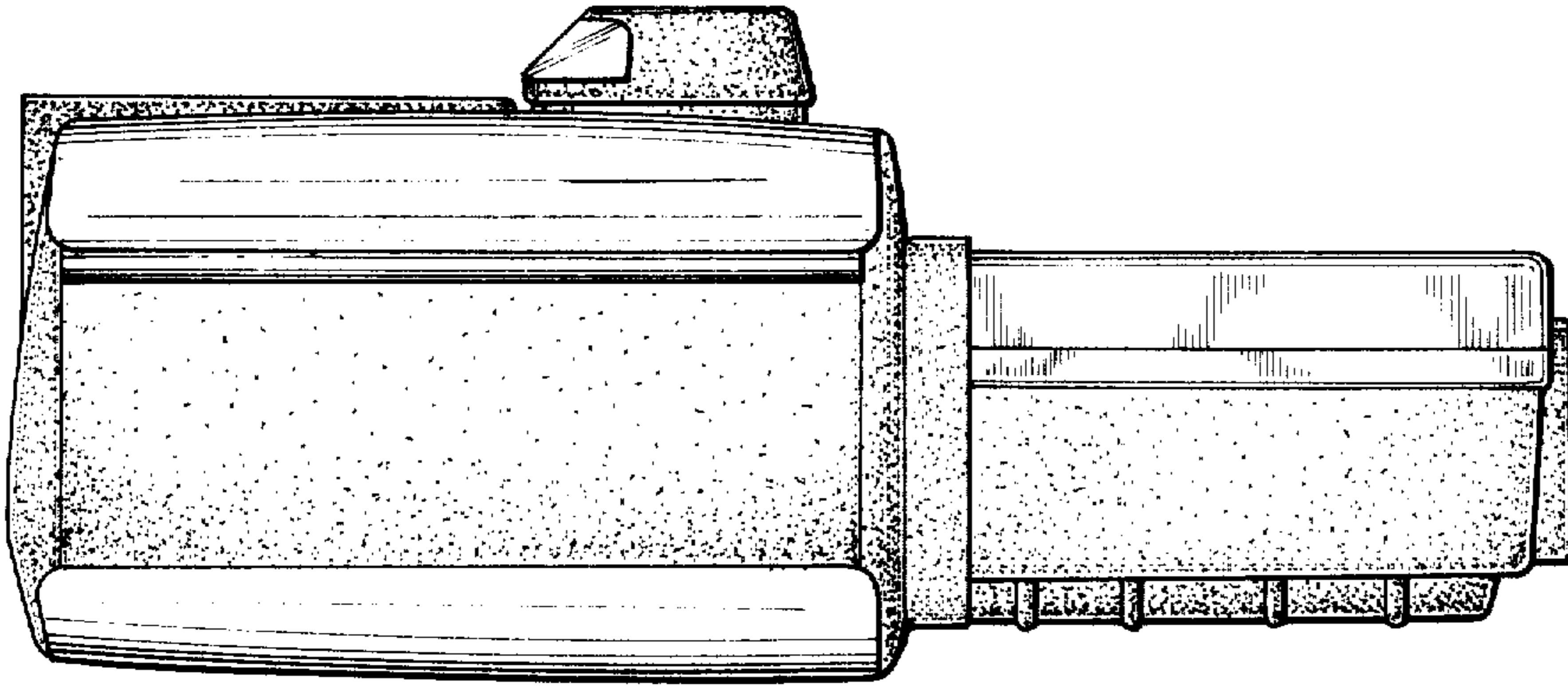


FIG. 3

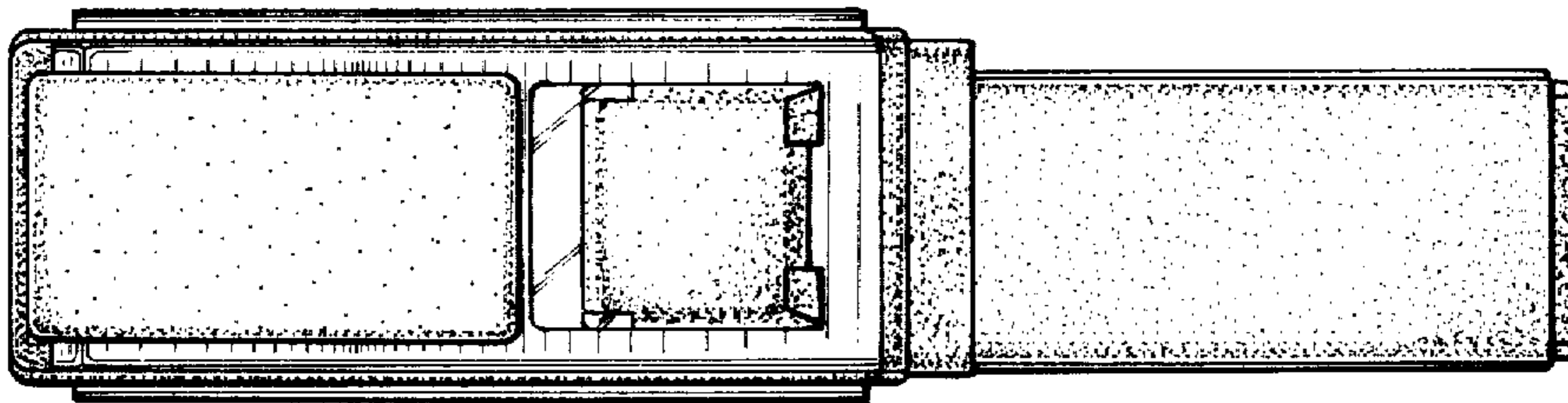
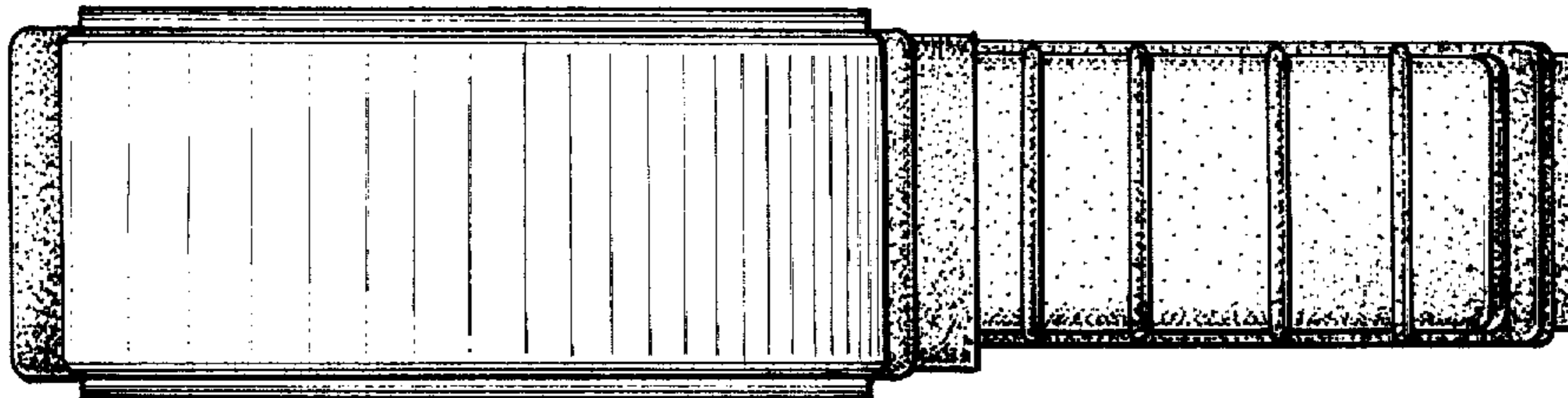


FIG. 5



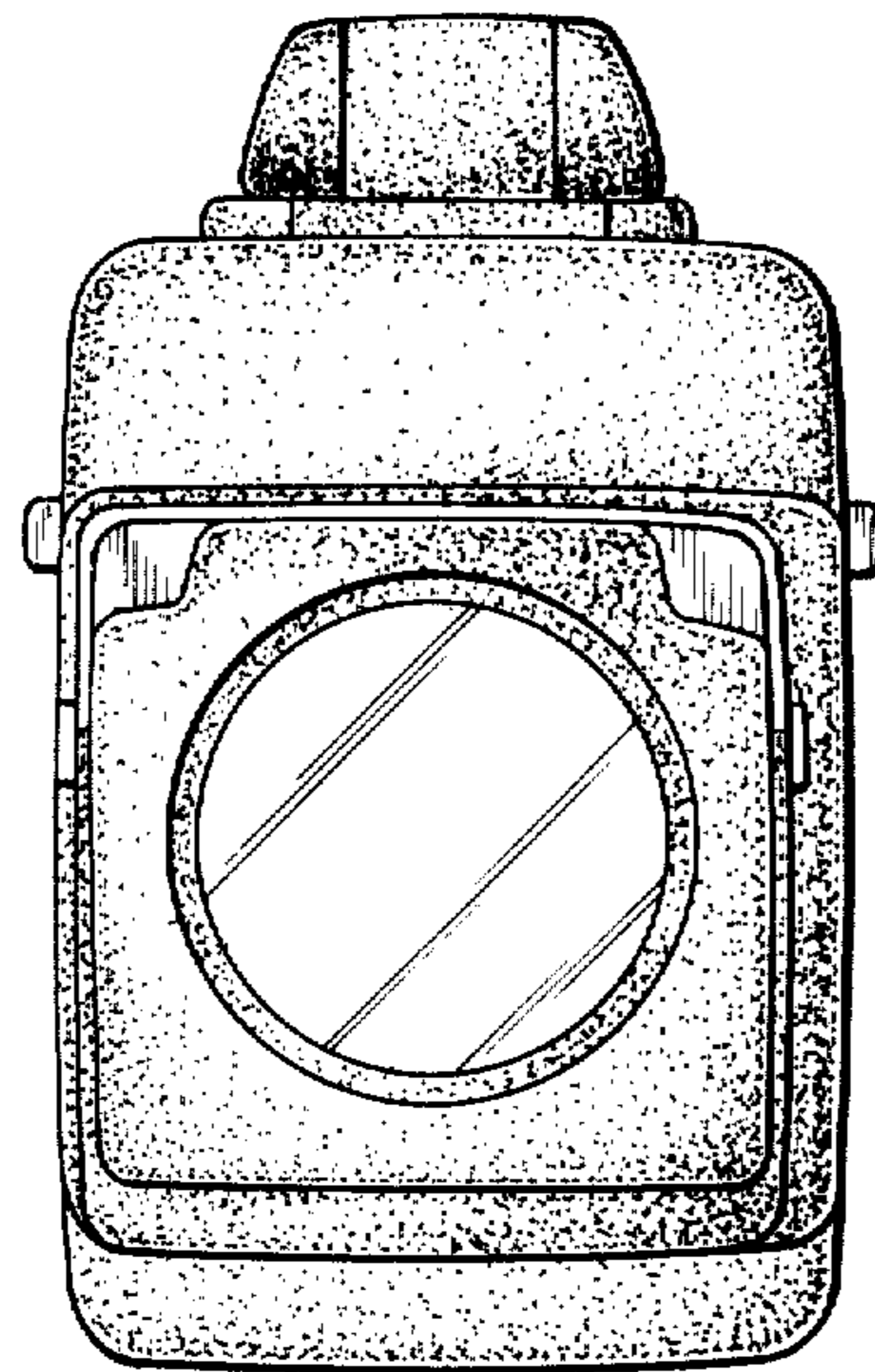


FIG. 4

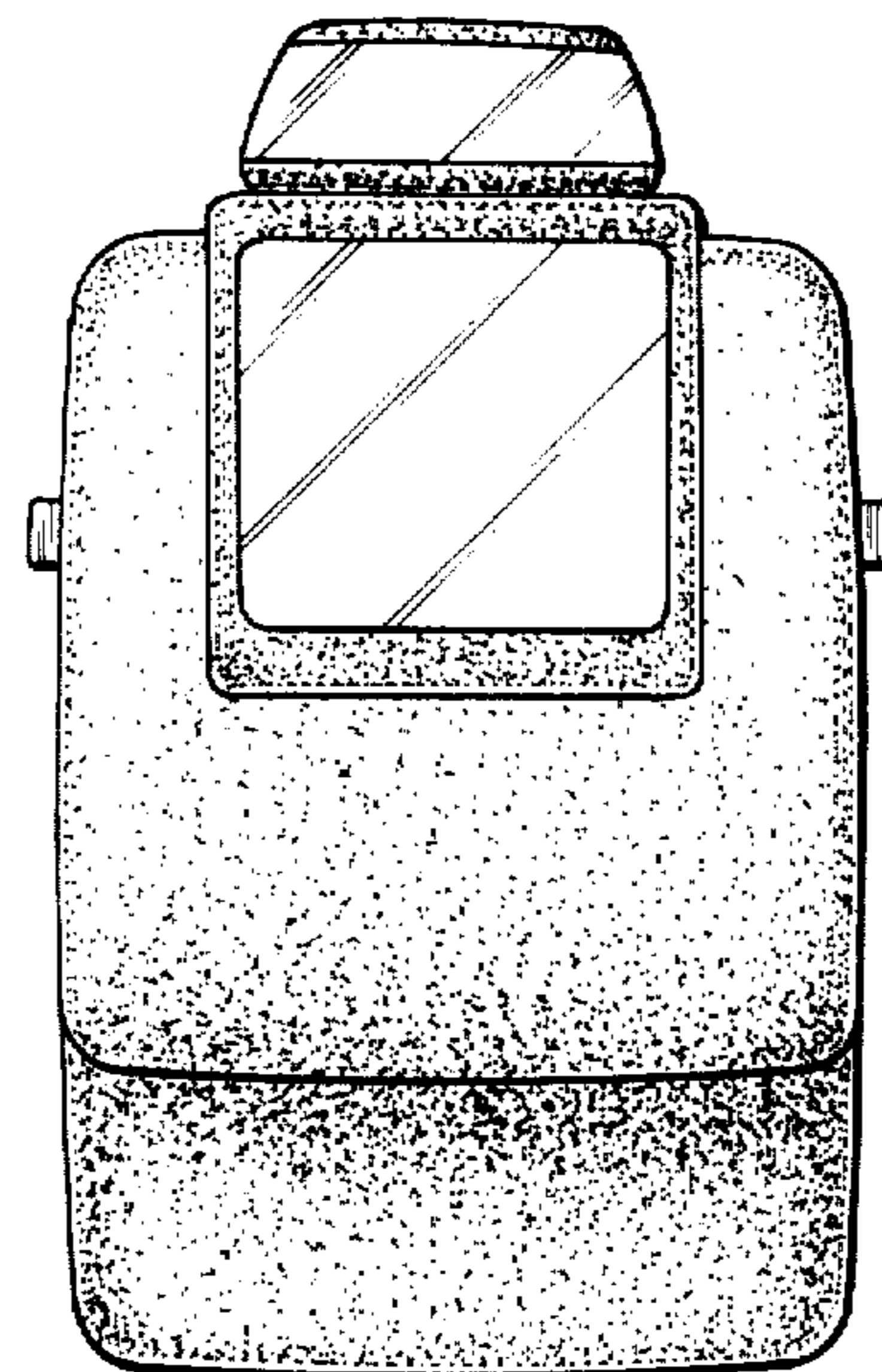


FIG. 2