

[54] **MOTORCYCLE CAMPER HOUSING**

[76] Inventor: **Marion Leon Headington, Jr.**, 1125  
W. Orange Grove, Burbank, Calif.  
91502

[\*\*] Term: **14 Years**

[21] Appl. No.: **657,946**

[22] Filed: **Feb. 13, 1976**

[51] Int. Cl. .... **D12-10**

[52] U.S. Cl. .... **D12/103**

[58] Field of Search ..... D12/102, 104, 114, 116;  
296/23 R, 23 E, 23 F, 23 G; 280/204, 203

[56] **References Cited**

**U.S. PATENT DOCUMENTS**

3,788,670 1/1974 Petersen ..... D12/114 UX  
D. 225,622 12/1972 Carroll ..... D12/104  
D. 232,021 7/1974 Stahlheber ..... D12/102

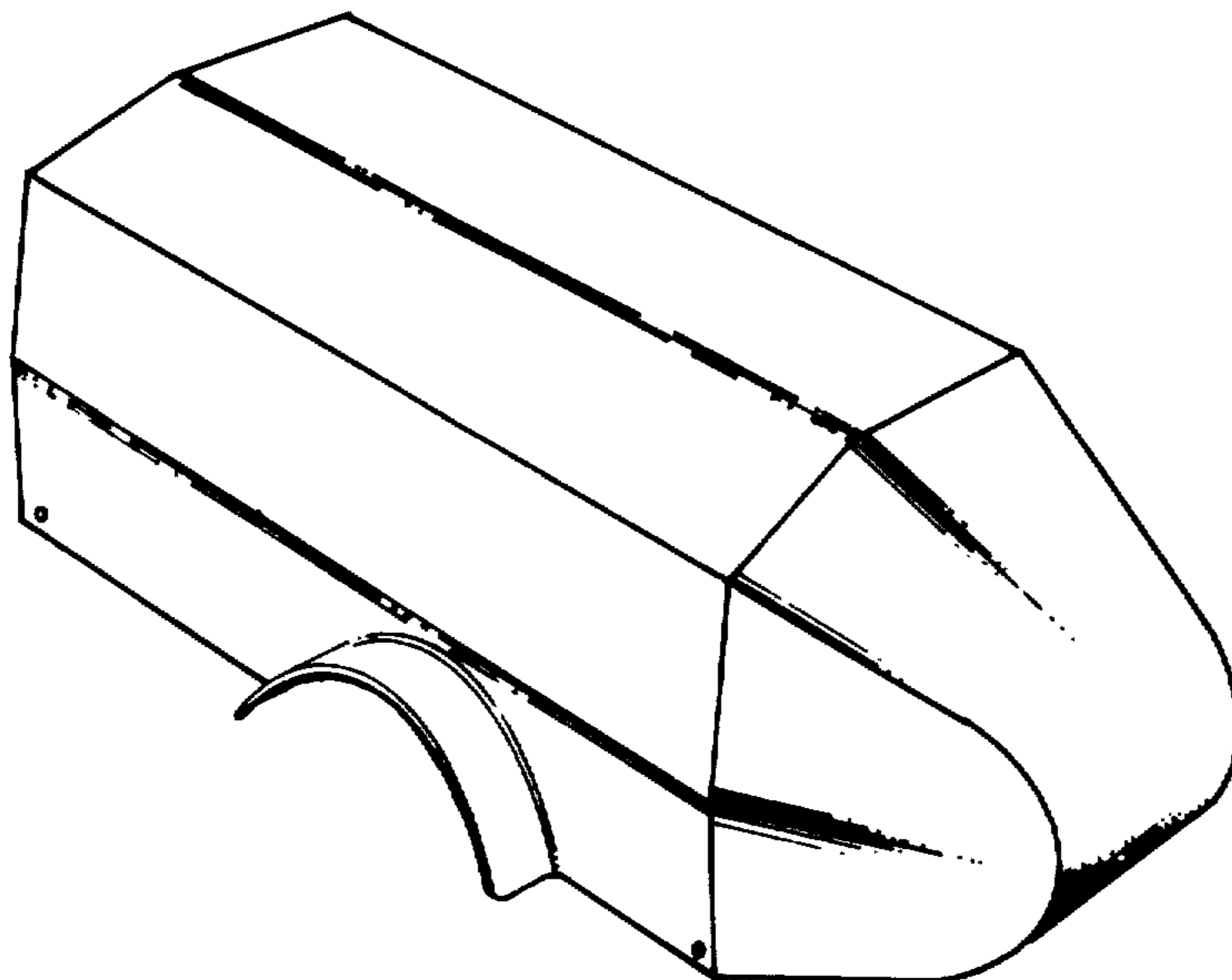
*Primary Examiner*—Susie J. Mercer  
*Assistant Examiner*—James M. Gandy  
*Attorney, Agent, or Firm*—John E. Wagner

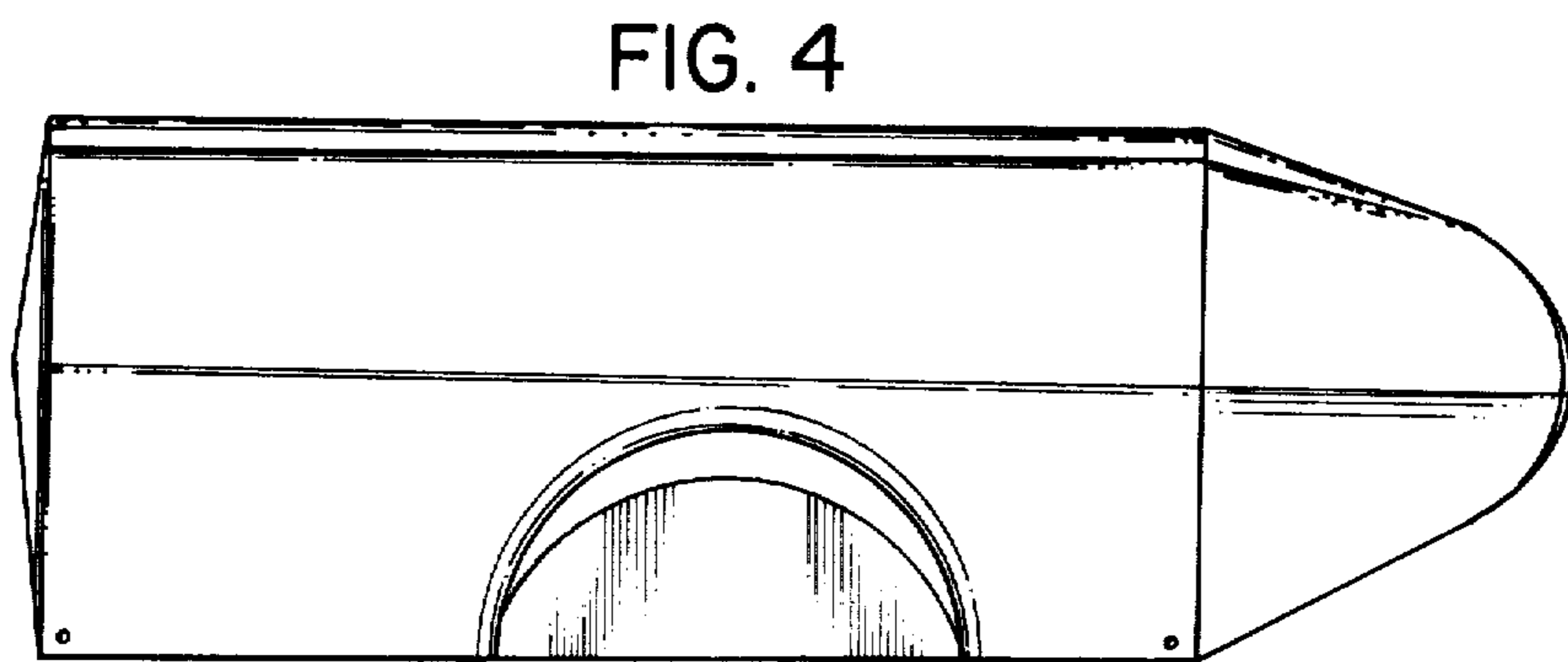
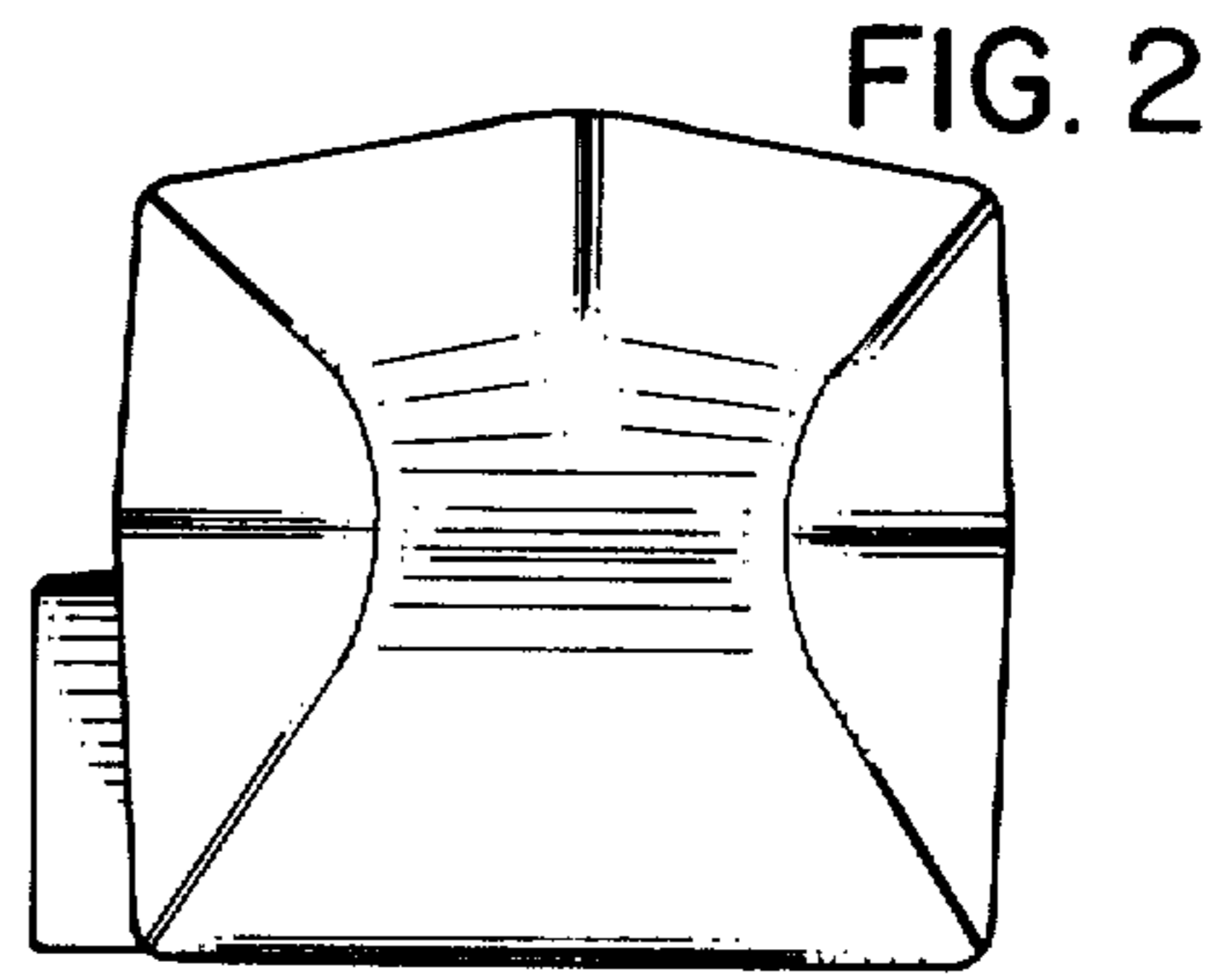
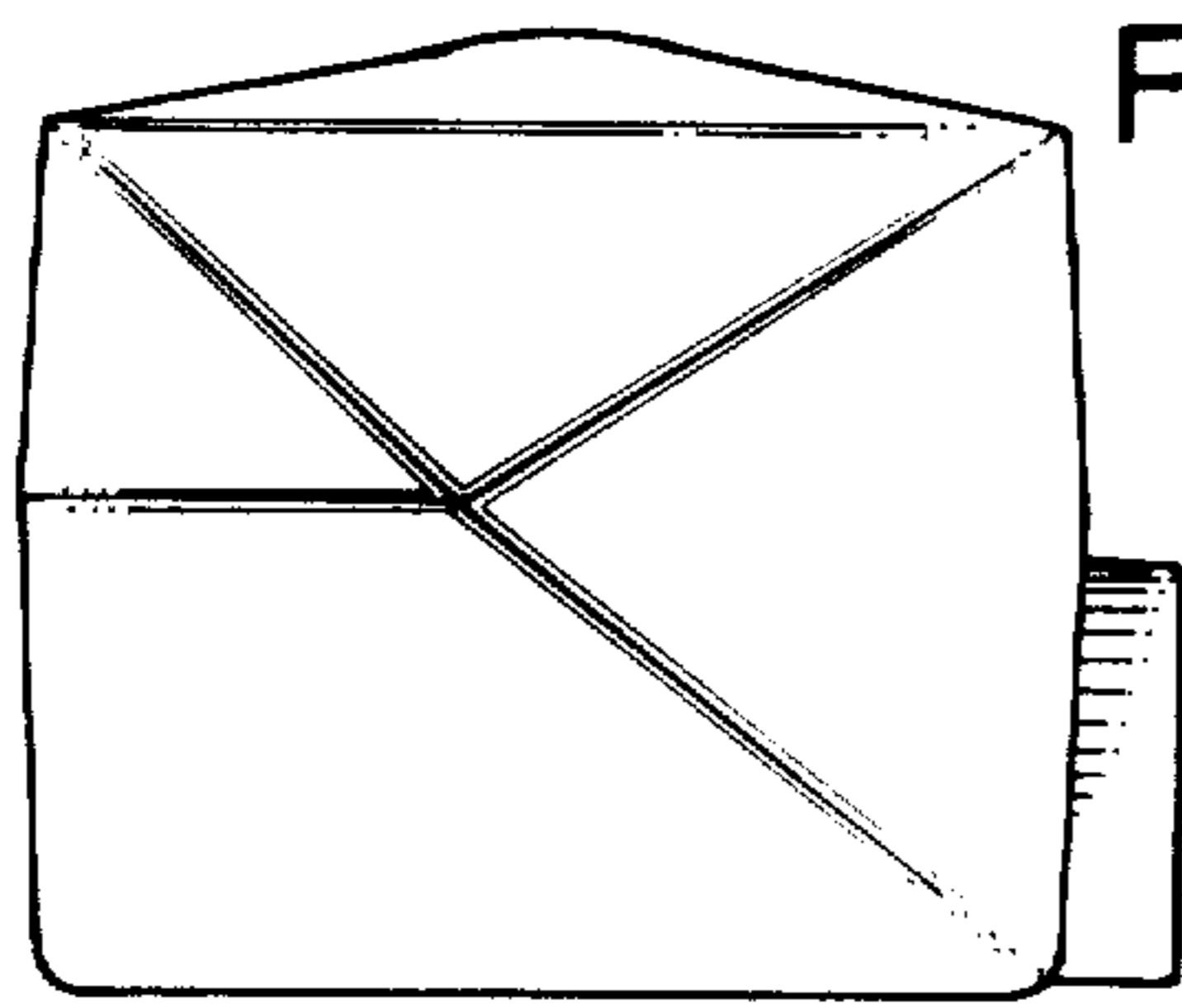
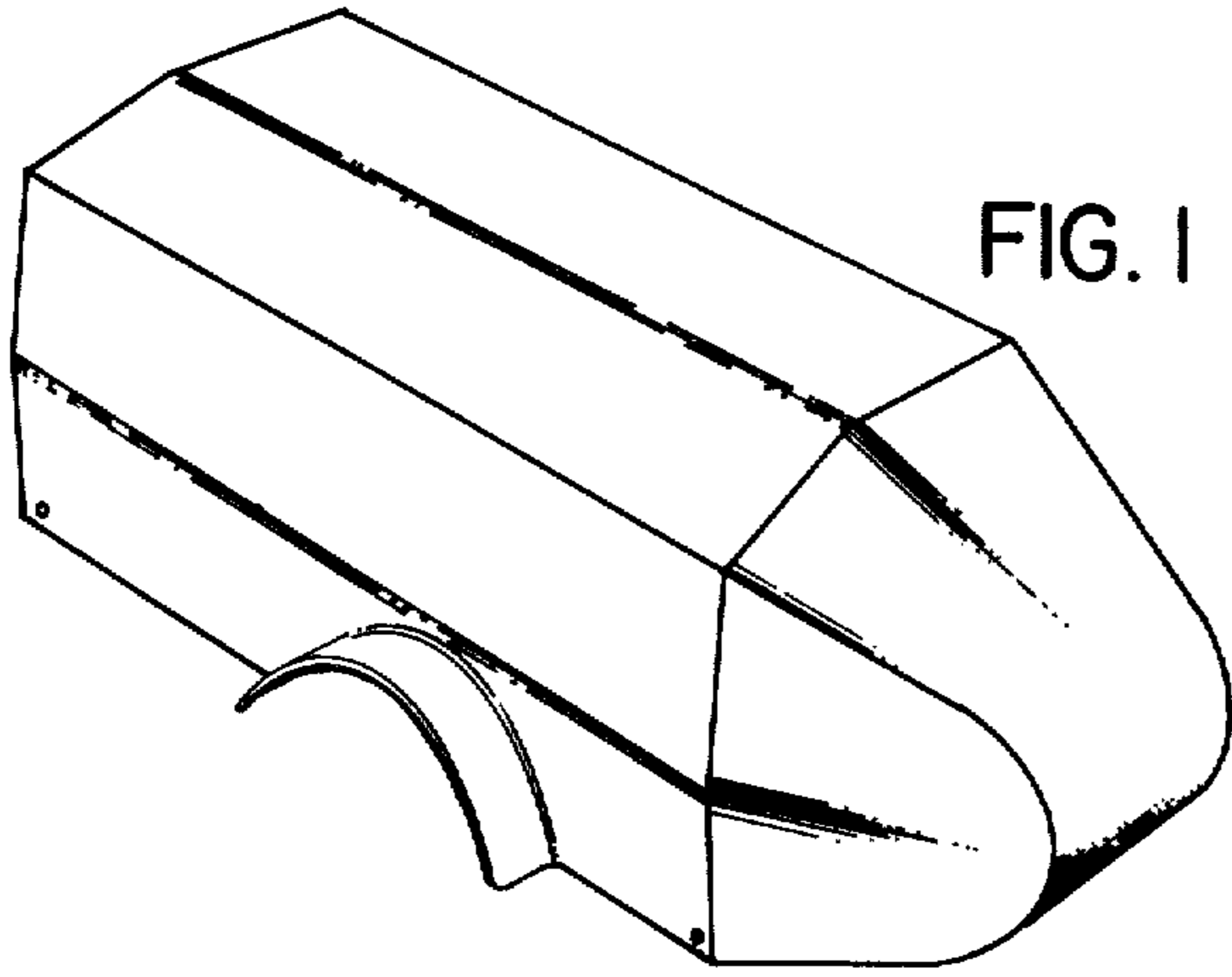
[57] **CLAIM**

The ornamental design for motorcycle camper housing,  
as shown and described.

**DESCRIPTION**

FIG. 1 is a perspective view of a motorcycle camper housing showing my new design;  
FIG. 2 is a front elevational view thereof;  
FIG. 3 is a rear elevational view thereof;  
FIG. 4 is a side elevational view thereof;  
FIG. 5 is a perspective view thereof with the cover in raised condition;  
FIG. 6 is a front elevational view of FIG. 5;  
FIG. 7 is a side elevational view of FIG. 5;  
FIG. 8 is a top plan view of FIG. 5;  
FIG. 9 is a side elevational view thereof opposite to that shown in FIG. 4;  
FIG. 10 is a side elevational view opposite from that shown in FIG. 7; and  
FIG. 11 is a top plan view thereof.  
The bottom of the motorcycle camper housing is flat and unornamented.





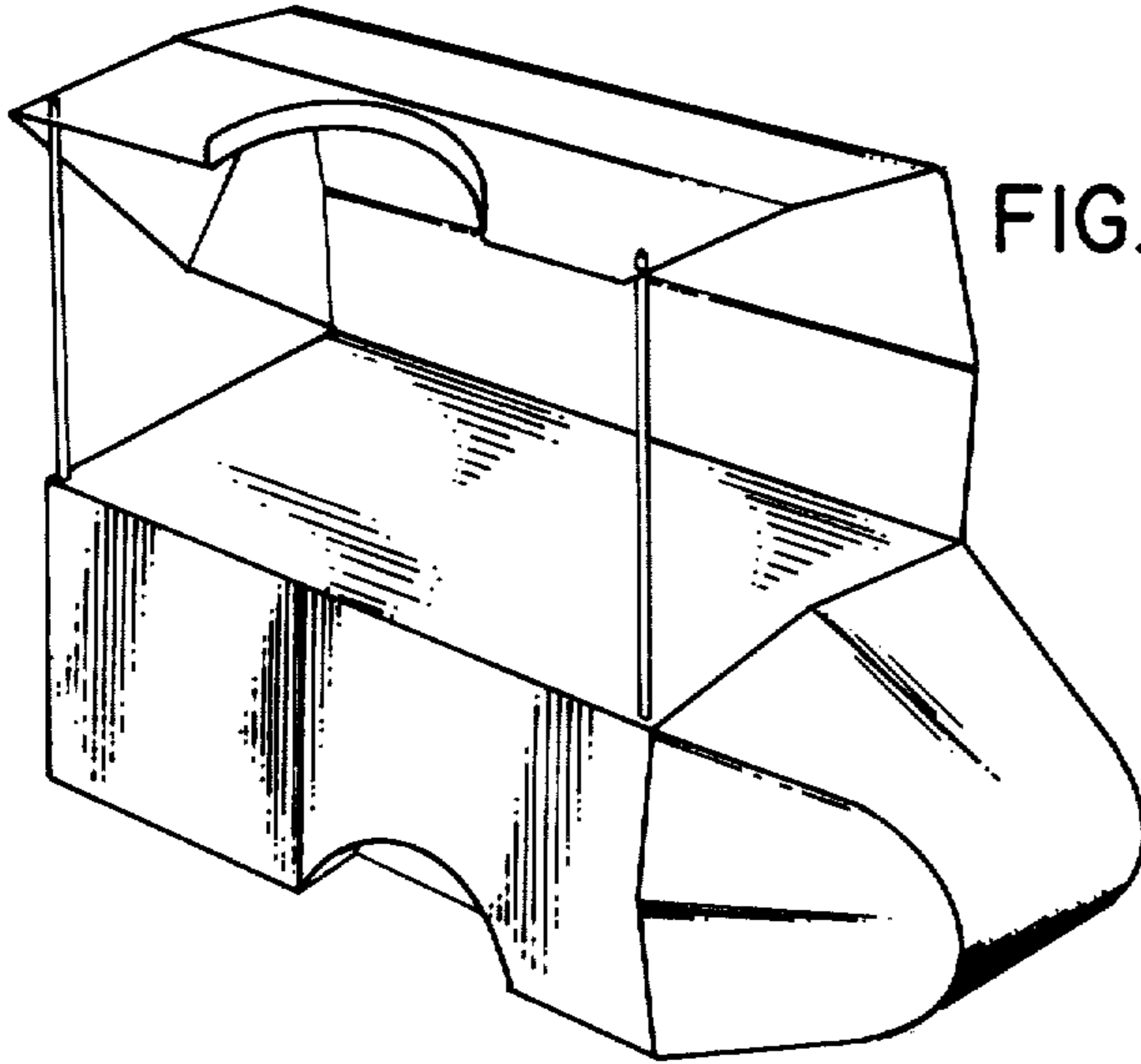


FIG. 5

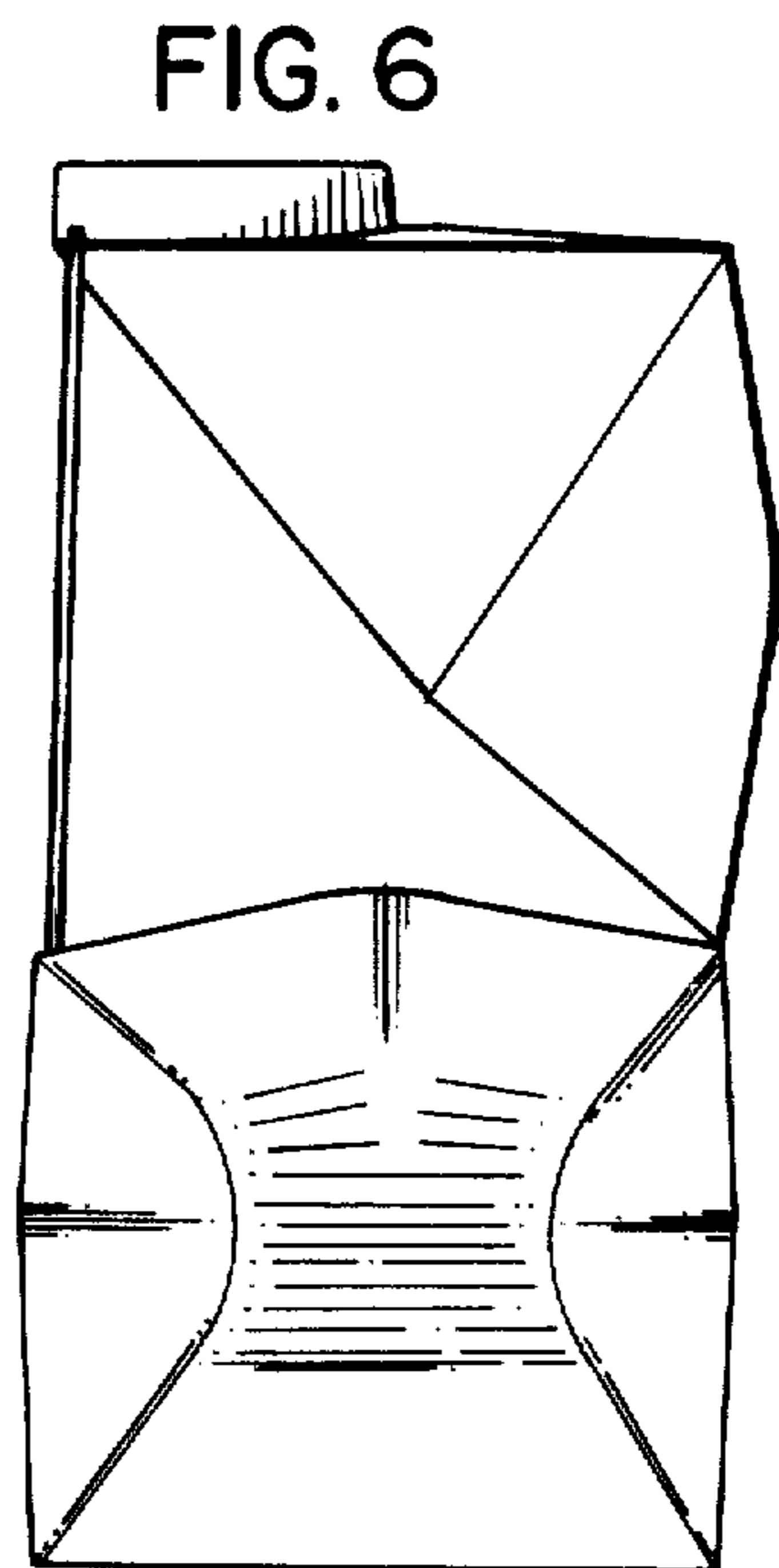


FIG. 6

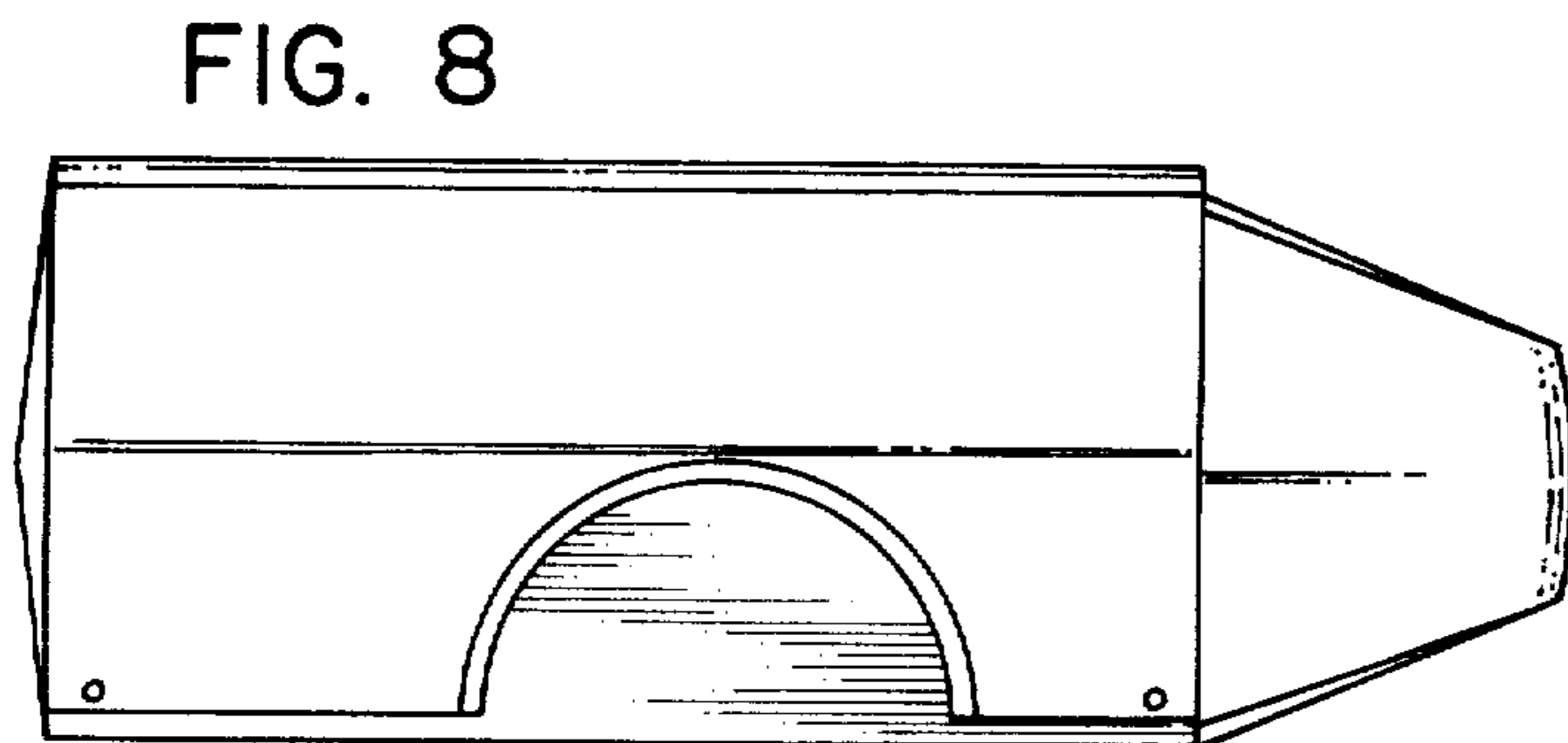


FIG. 8

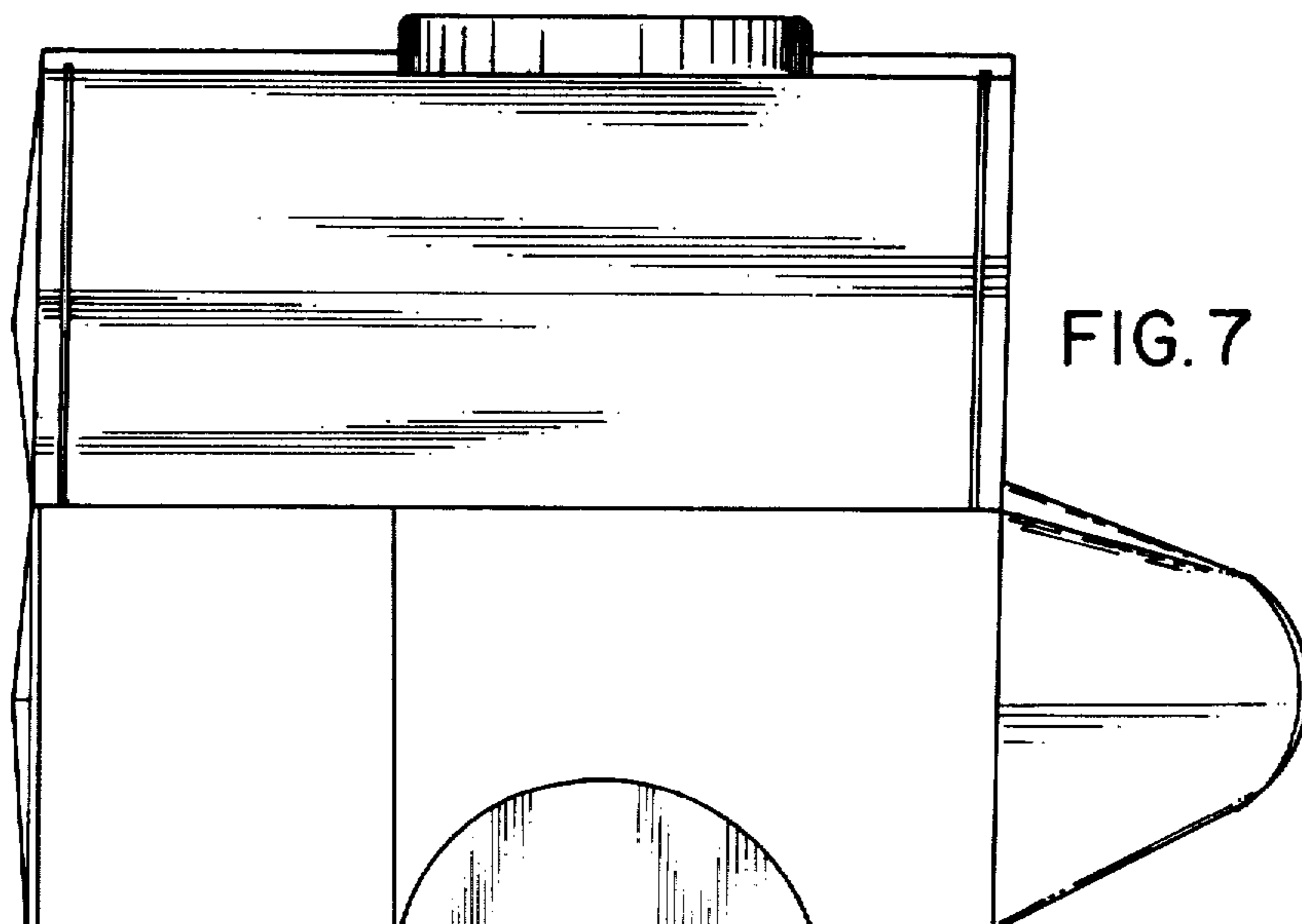


FIG. 7

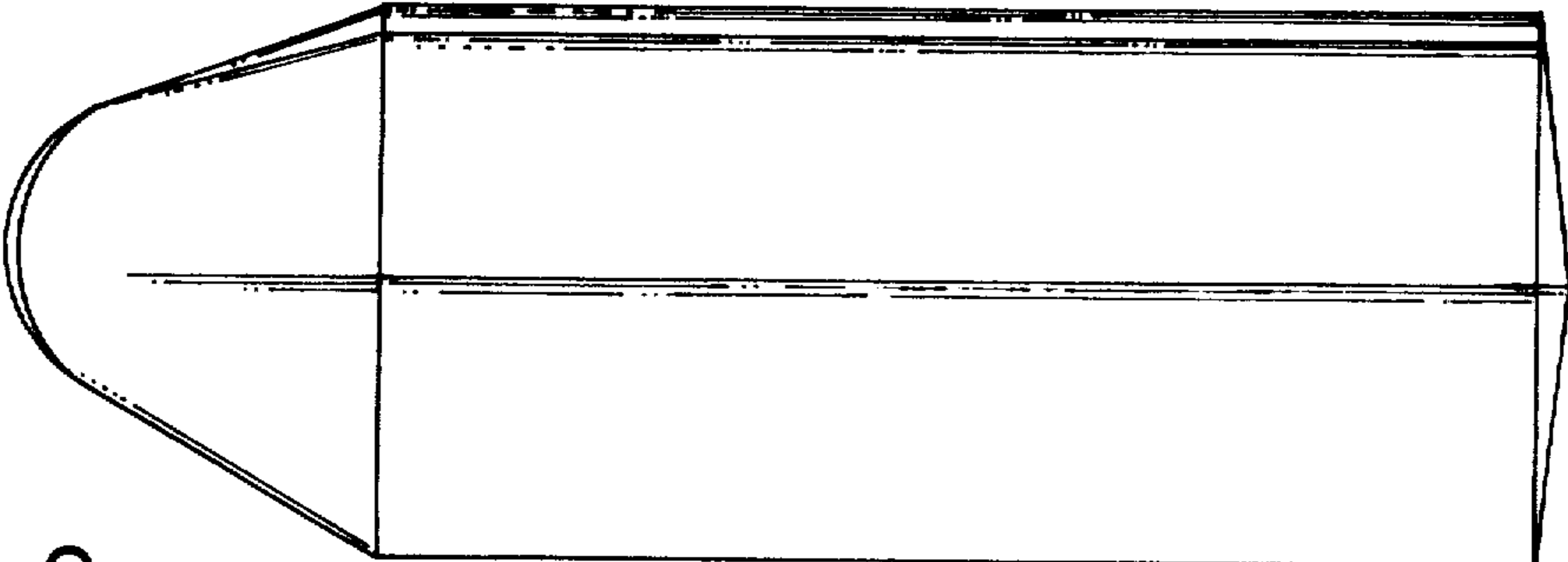


FIG. 9

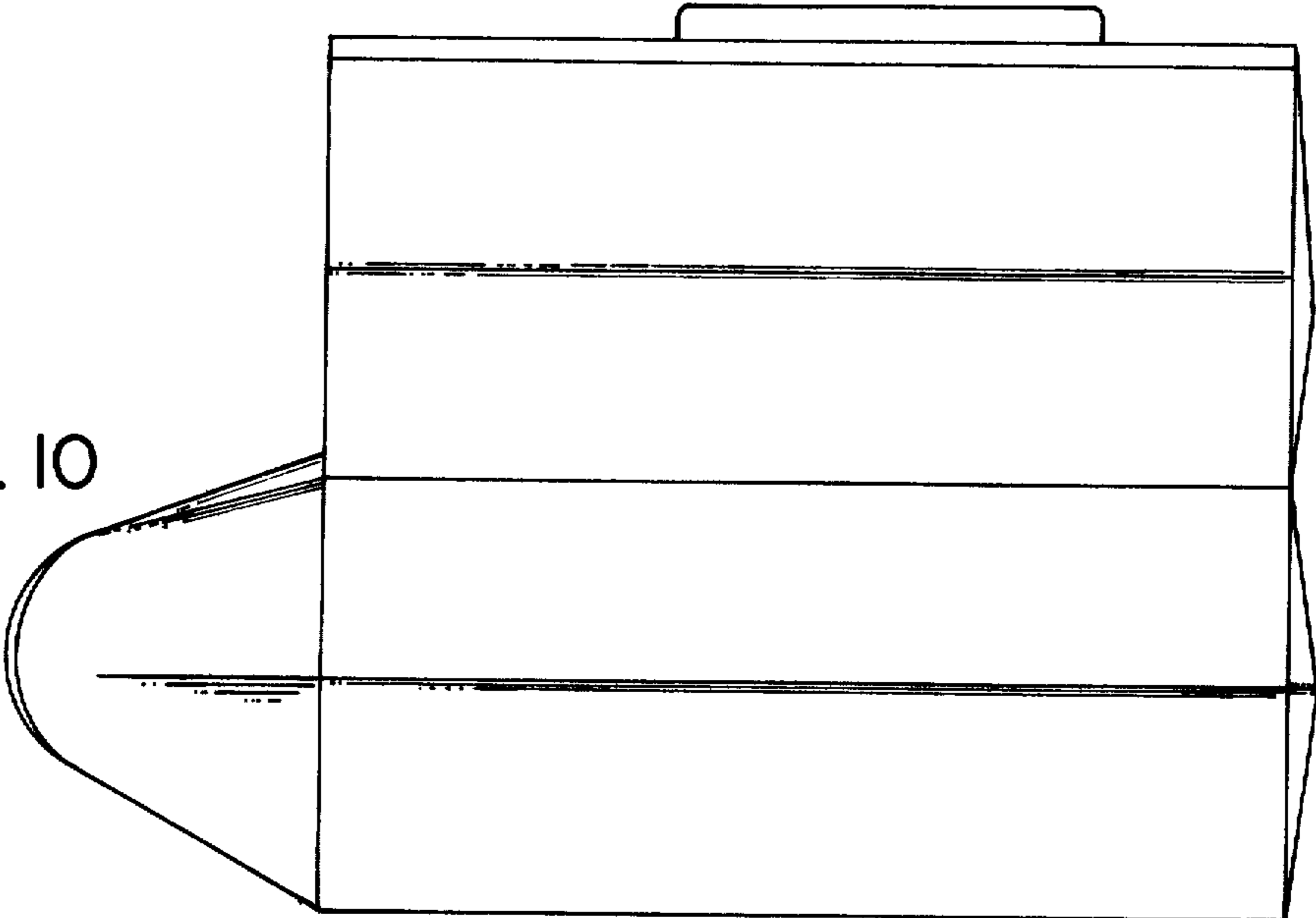


FIG. 10

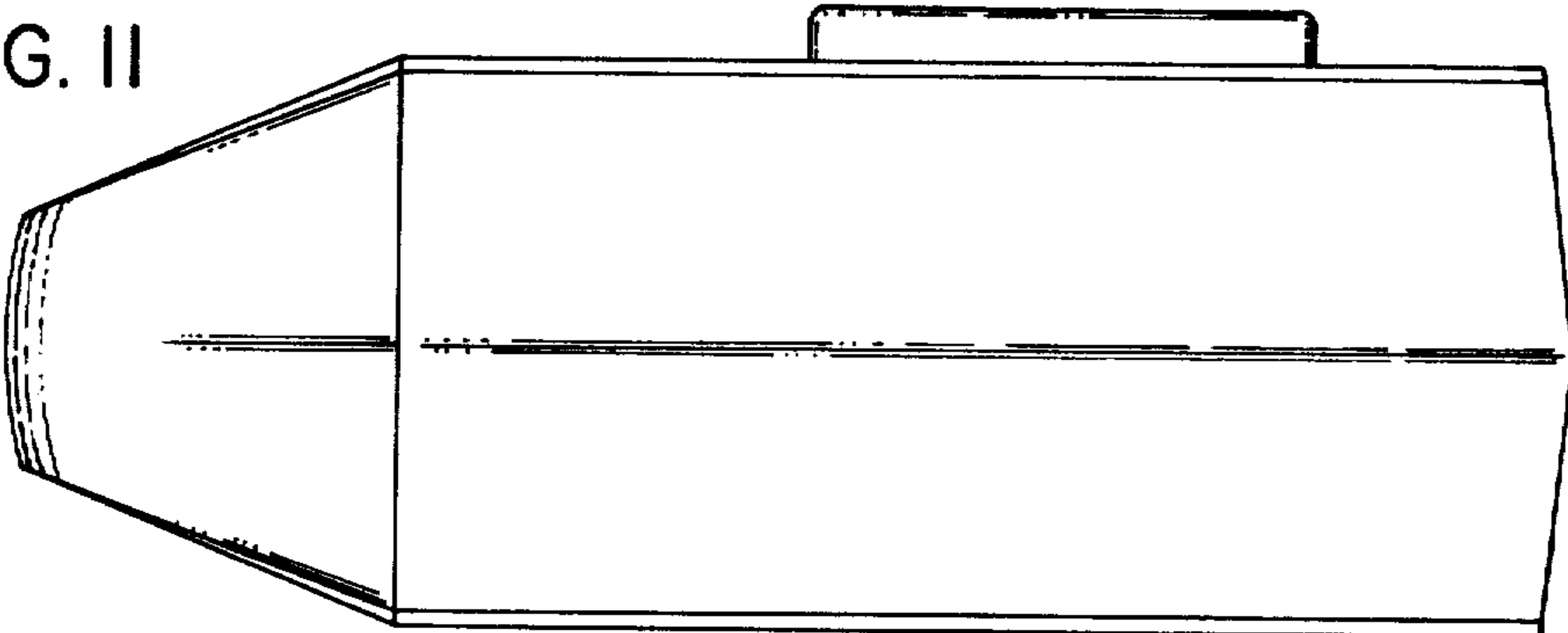


FIG. 11