

[54] LIVESTOCK TRAILER

[76] Inventor: Nick Ksenych, 1130 Skyline Drive, Watertown, S. Dak. 57201

[\*\*] Term: 14 Years

[21] Appl. No.: 660,040

[22] Filed: Feb. 20, 1976

[51] Int. Cl. .... D12-10

[52] U.S. Cl. .... D12/102

[58] Field of Search ..... D12/102, 105; 296/24 C; 119/7, 15

[56] References Cited

U.S. PATENT DOCUMENTS

3,053,224 9/1962 Pierce ..... D12/102

D. 172,713 7/1954 Gray, Jr. .... D12/102  
D. 172,800 8/1954 Miley ..... D12/102

Primary Examiner—Wallace R. Burke  
Assistant Examiner—James M. Gandy  
Attorney, Agent, or Firm—Stanford W. Berman

[57] CLAIM

The ornamental design for a livestock trailer, as shown.

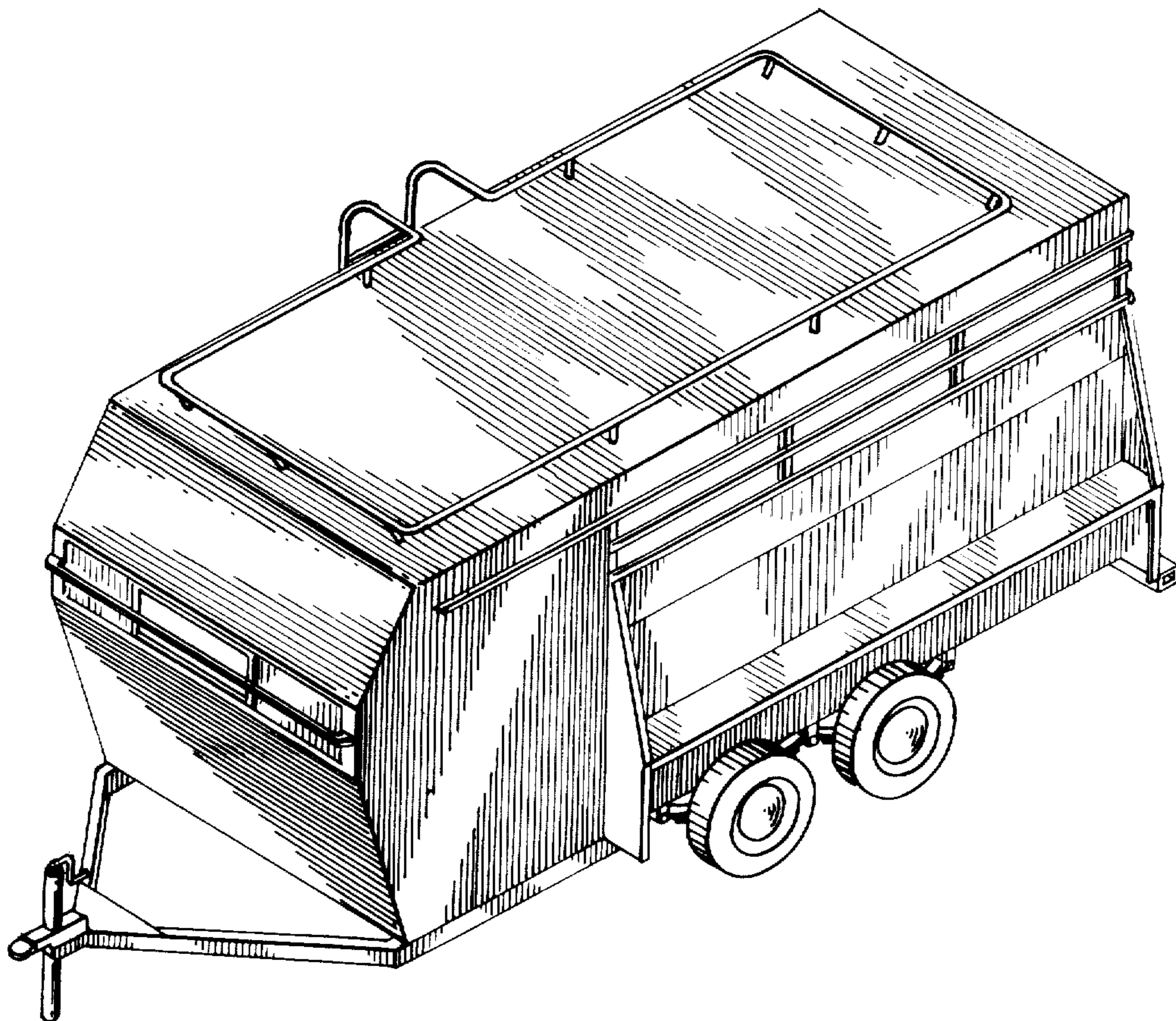
DESCRIPTION

FIG. 1 is a perspective view of a livestock trailer embodying my new design.

FIG. 2 is a top plan view thereof.

FIG. 3 is a left side elevational view thereof.

FIG. 4 is a rear elevational view thereof to an enlarged scale.



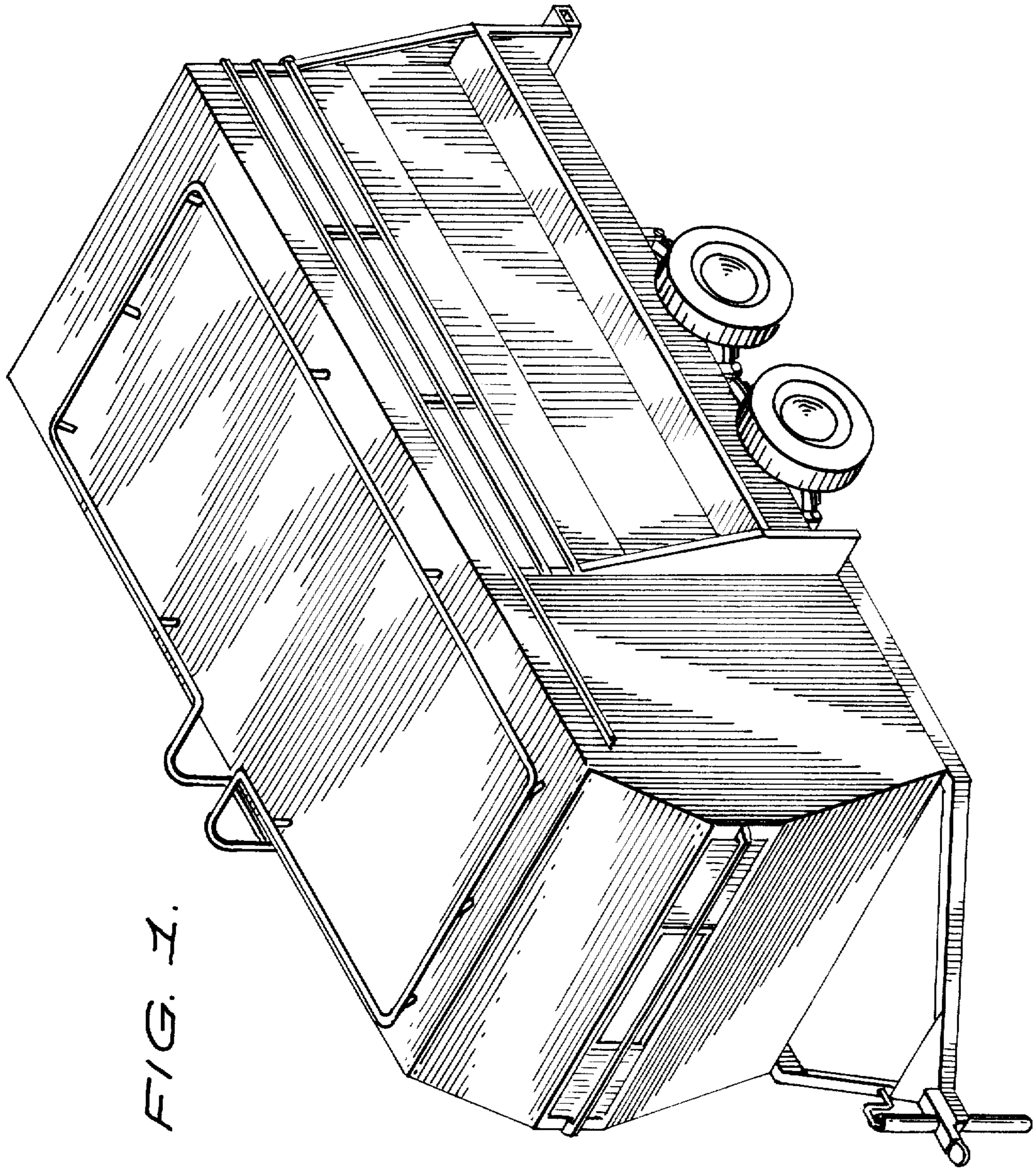


FIG. 1.



FIG. 2.

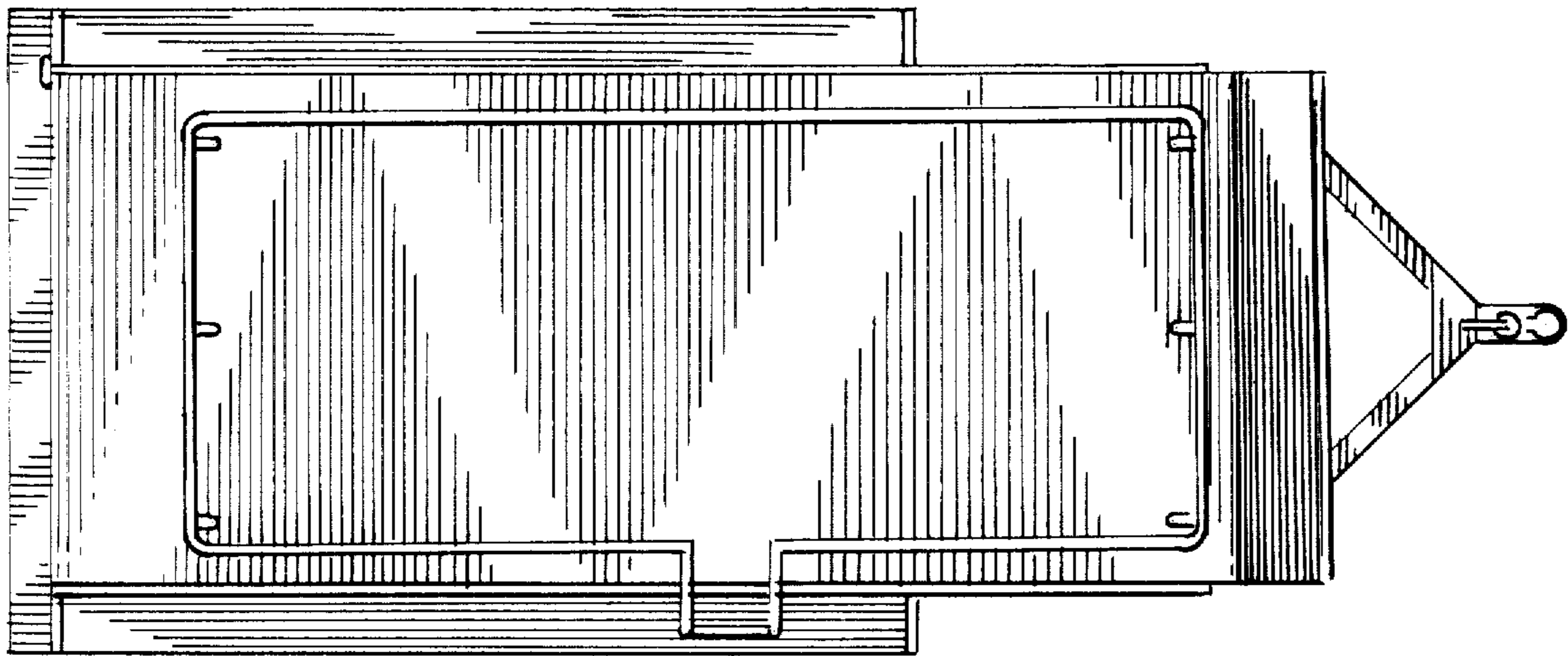
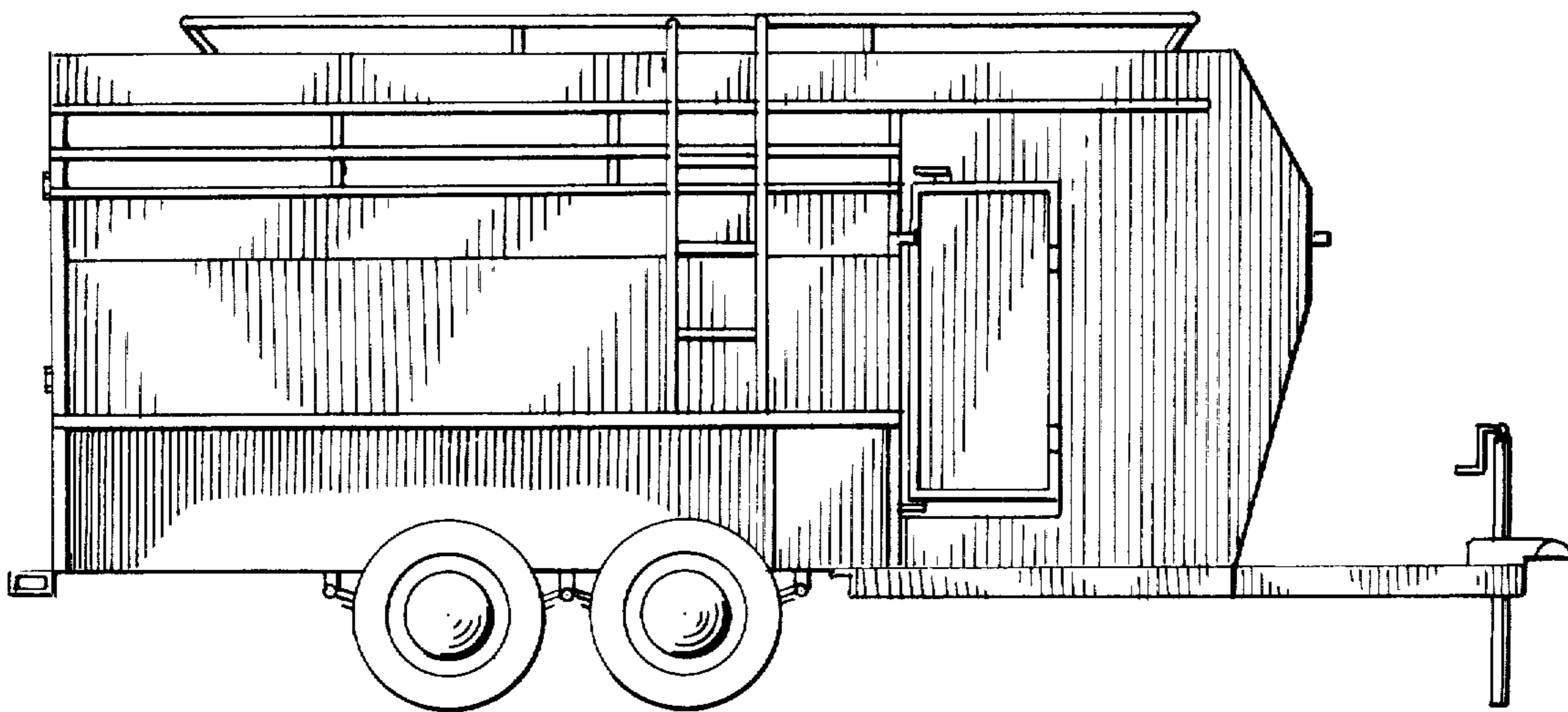


FIG 3.



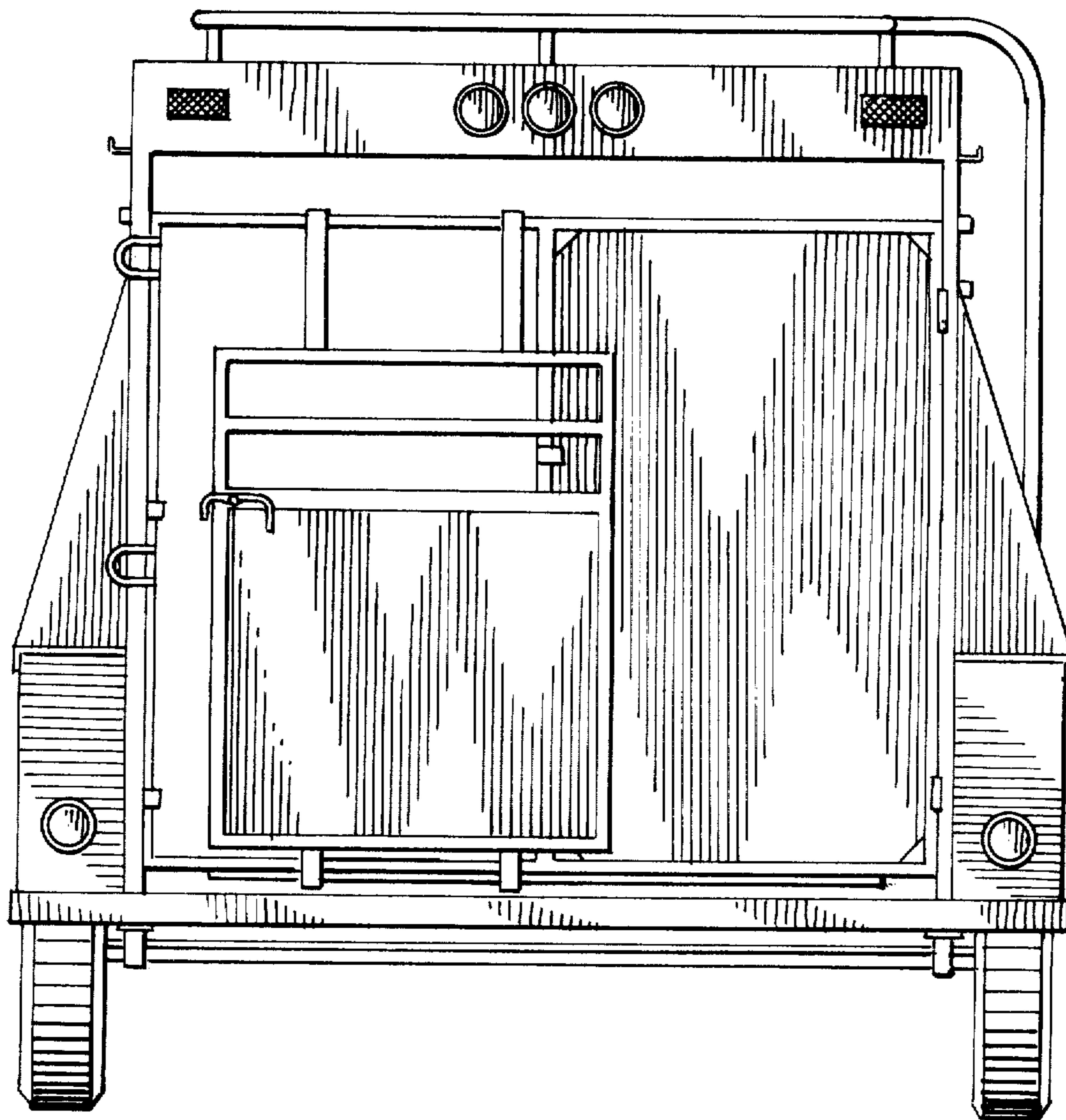


FIG. 4.