

[54] SELF-PROPELLED HANG GLIDER CARRIAGE

3,204,368 9/1965 Effinger, Jr. et al. 244/16 X
3,813,060 5/1974 Mochizuki 244/13
D. 233,426 10/1974 Jensen et al. D12/71

[76] Inventor: Jeffrey F. Koch, P.O. Box 453, Petaluma, Calif. 94952

[**] Term: 14 Years

Primary Examiner—Alan P. Douglas
Attorney, Agent, or Firm—Melvin R. Stidham

[21] Appl. No.: 619,667

[22] Filed: Oct. 6, 1975

[57] CLAIM

[51] Int. Cl. D12-07

[52] U.S. Cl. D12/81

[58] Field of Search D12/81, 71; 244/16, 244/13

The ornamental design for a self-propelled hang glider carriage, as shown.

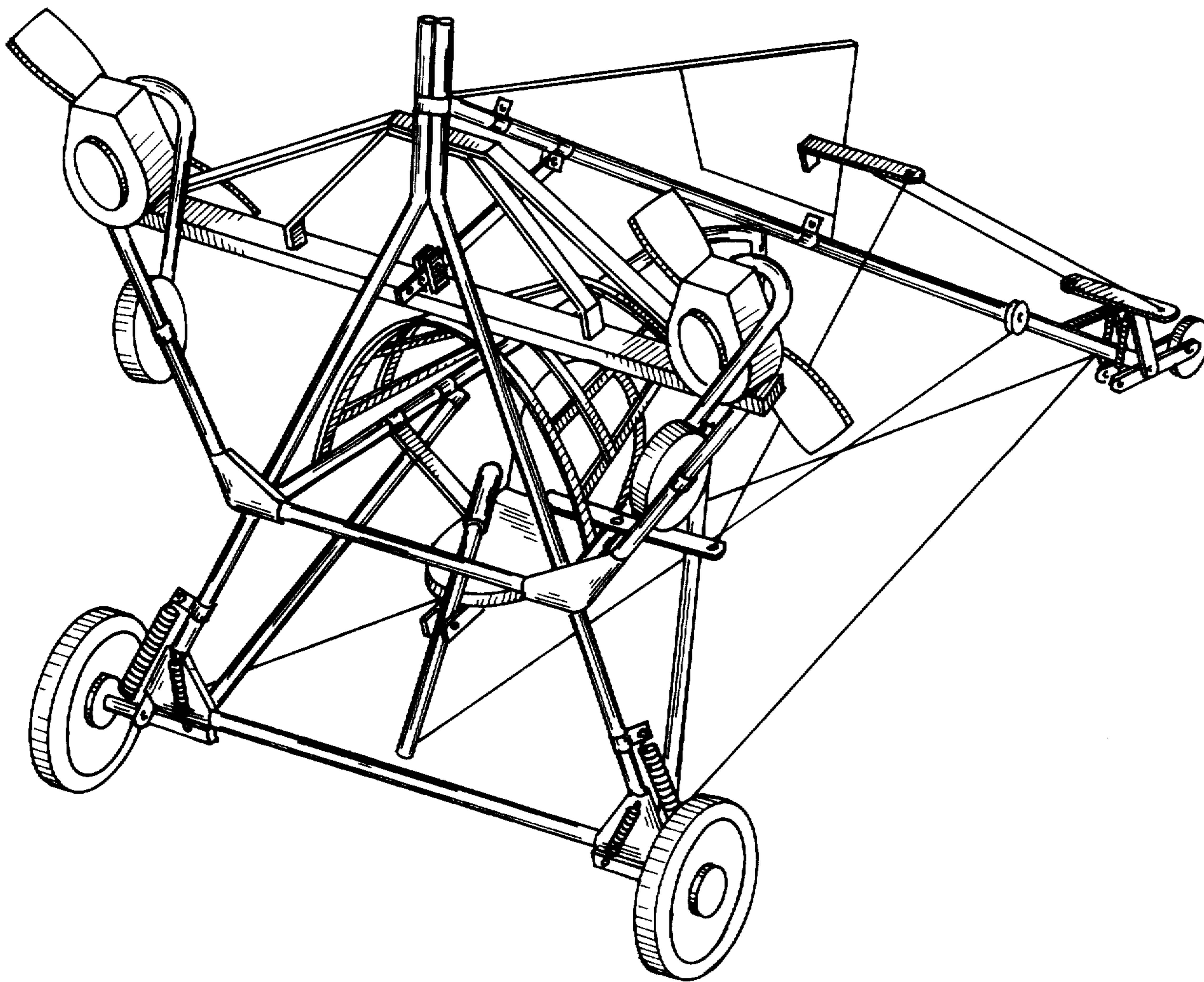
DESCRIPTION

[56] References Cited

U.S. PATENT DOCUMENTS

1,735,308 11/1929 Worrell 244/13

FIG.1 is a view in perspective from the front of the self-propelled hang glider carriage of my new design; and
FIG. 2 is a view in perspective from the rear thereof.



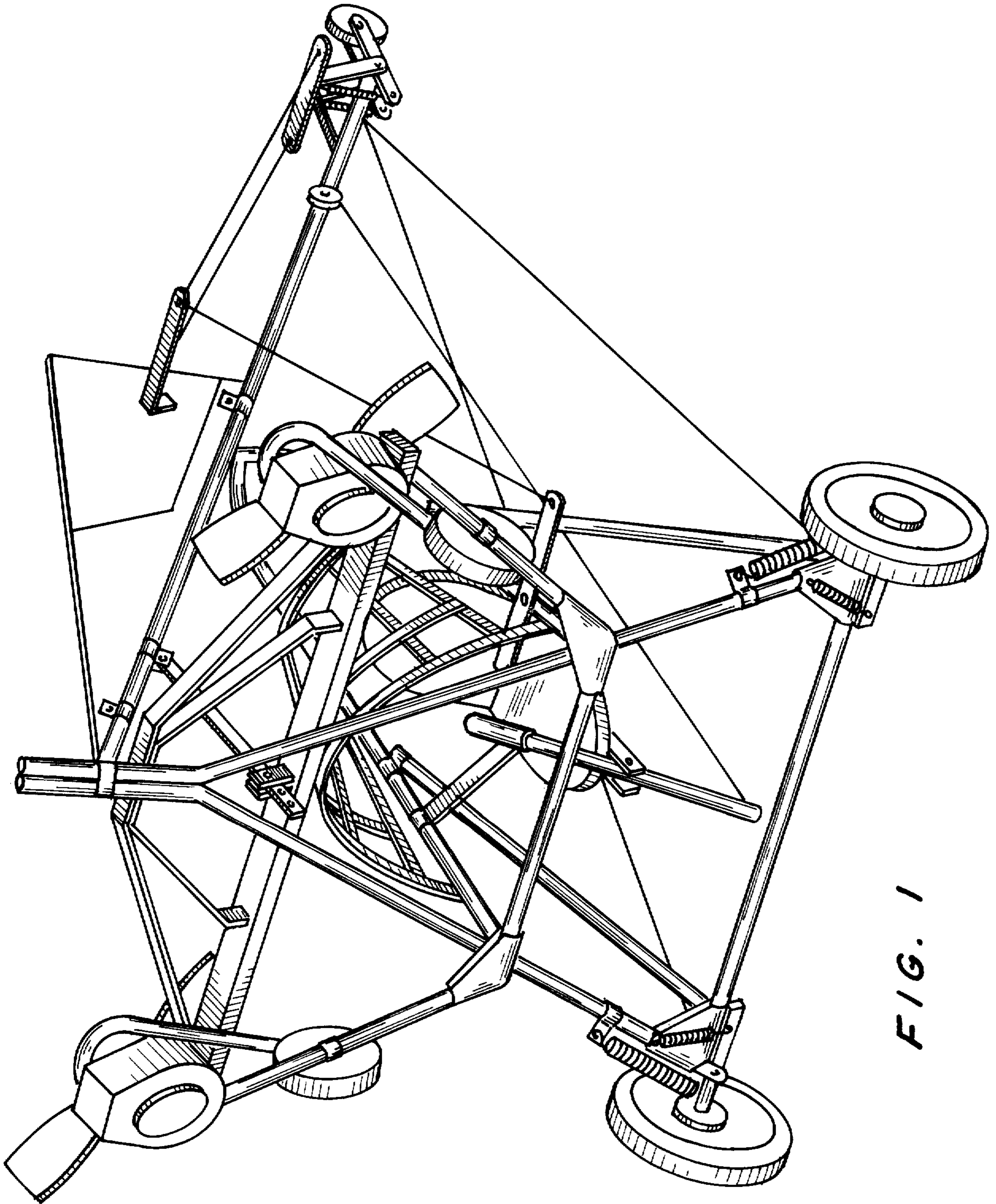


FIG. 1

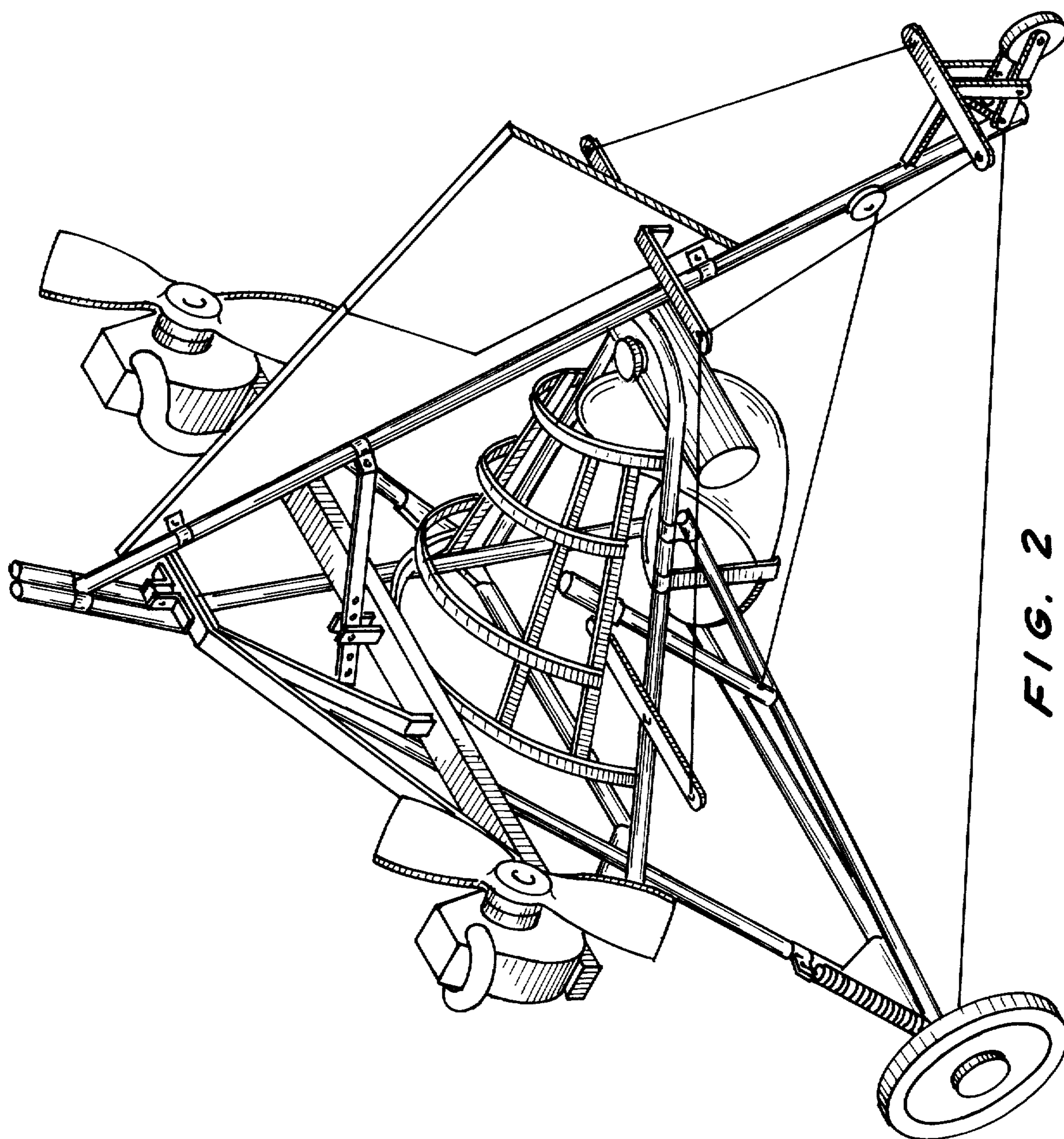


FIG. 2