

[54] **PANEL FOR DISPLAY OF TIME OR FREQUENCY, OR BOTH**

[76] Inventor: **Howard Alan Taishoff**, 105 Oxford Blvd., Great Neck, N.Y. 11023

[**] Term: **14 Years**

[21] Appl. No.: **600,103**

[22] Filed: **July 28, 1975**

[51] Int. Cl. **D10-07**

[52] U.S. Cl. **D10/125**

[58] Field of Search D10/122-125, D10/40, 2, 15, 38; 235/92 T, 92 TF; 58/38, 4, 21.13, 50 R, 50 A, 127; D26/14 K; D56/4 B

[56] **References Cited**

U.S. PATENT DOCUMENTS

3,548,165	12/1970	Linnenkamp	235/92 T
3,574,992	4/1971	Ladas	D10/25 X
3,762,152	10/1973	Marz	58/50 R

3,846,701 11/1974 Sampey 235/92 T

OTHER PUBLICATIONS

European Jeweler, 5/74, p. 88, Clock Faces.

Primary Examiner—Nelson C. Holtje
Attorney, Agent, or Firm—Howard Alan Taishoff

[57] **CLAIM**

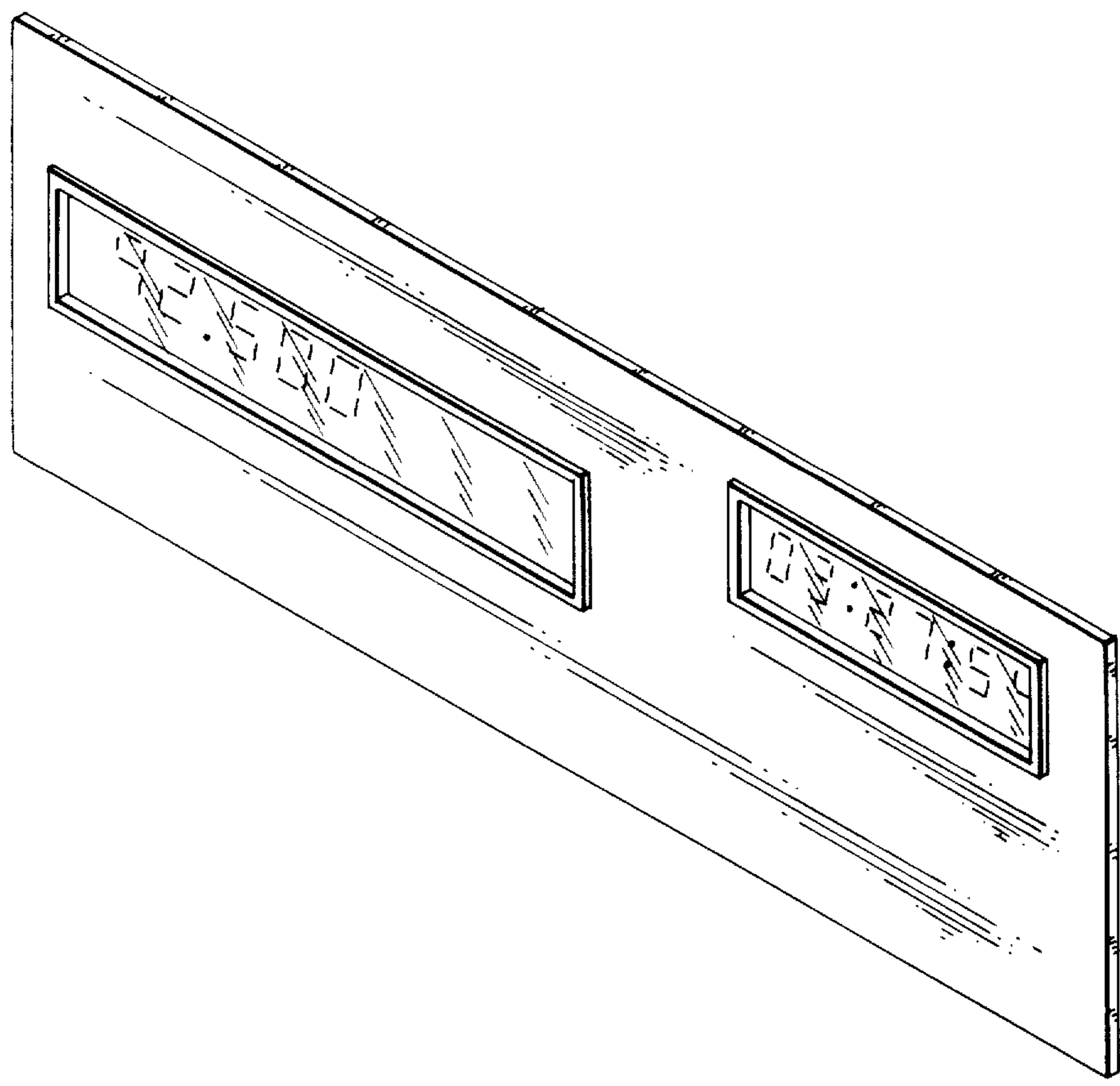
The ornamental design for a panel for display of time or frequency, or both, as shown and described.

DESCRIPTION

FIG. 1 is a front elevational view of a panel for display of time or frequency, or both showing my new design with typical, illustrative time and frequency indications.

FIG. 2 is a front perspective view of that shown in FIG. 1.

The back of the panel is flat, plain and unornamented.



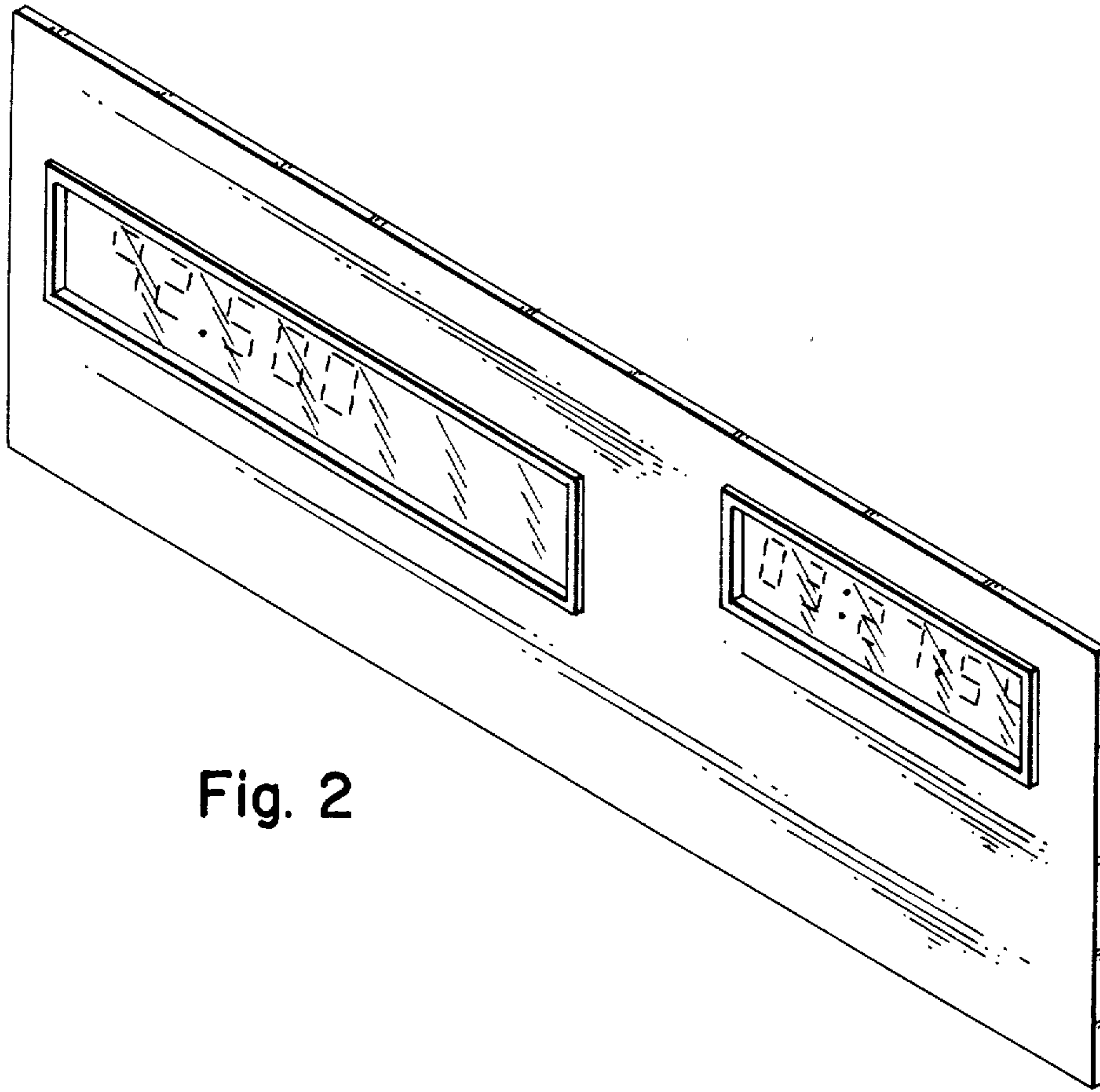


Fig. 2

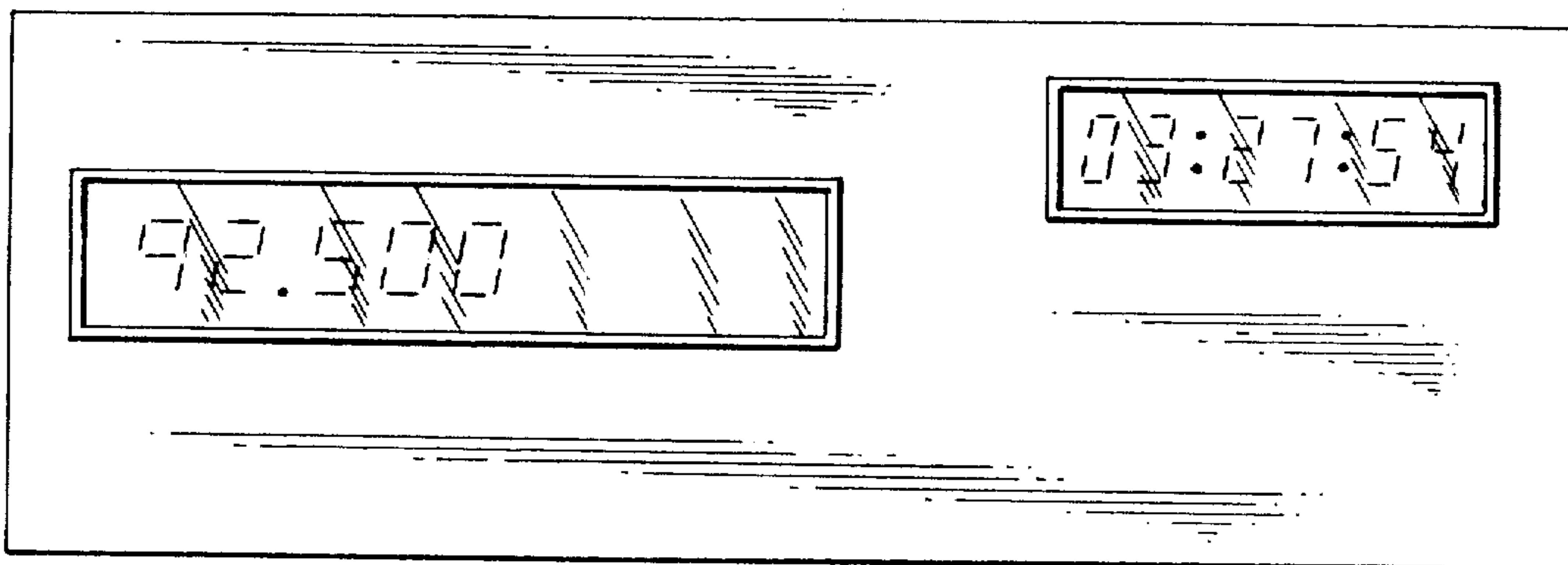


Fig. 1