

[54] BICYCLE REFLECTOR

[75] Inventor: Nicholas A. Amoroso, Hillsdale, N.J.

[73] Assignee: Bright Star Industries, Inc., Clifton, N.J.

[*] Notice: The portion of the term of this patent subsequent to Oct. 28, 1989, has been disclaimed.

[**] Term: 14 Years

[21] Appl. No.: 602,970

[22] Filed: Aug. 8, 1975

[51] Int. Cl. D10-06

[52] U.S. Cl. D10/111

[58] Field of Search D10/109, 111; 350/97, 350/98, 99, 100, 102, 103, 104, 105, 106; 301/37 SA

[56] References Cited

U.S. PATENT DOCUMENTS

D. 237,367 10/1975 Amoroso D10/111

Primary Examiner—Susie J. Mercer
Attorney, Agent, or Firm—Maxwell James

[57] CLAIM

The ornamental design for a bicycle reflector, substantially as shown and described.

DESCRIPTION

FIG. 1 is an isometric view of the bicycle reflector of the present invention;
FIG. 2 is a front elevation view of the bicycle reflector of the present invention;
FIG. 3 is a side elevation view of the bicycle reflector of the present invention; and
FIG. 4 is a top plan view of the bicycle reflector of the present invention.

The cross-hatching, which is partially shown for convenience of illustration, indicates a reflective surface; it is understood that the cross-hatching is uniformly continuous over the areas indicated.

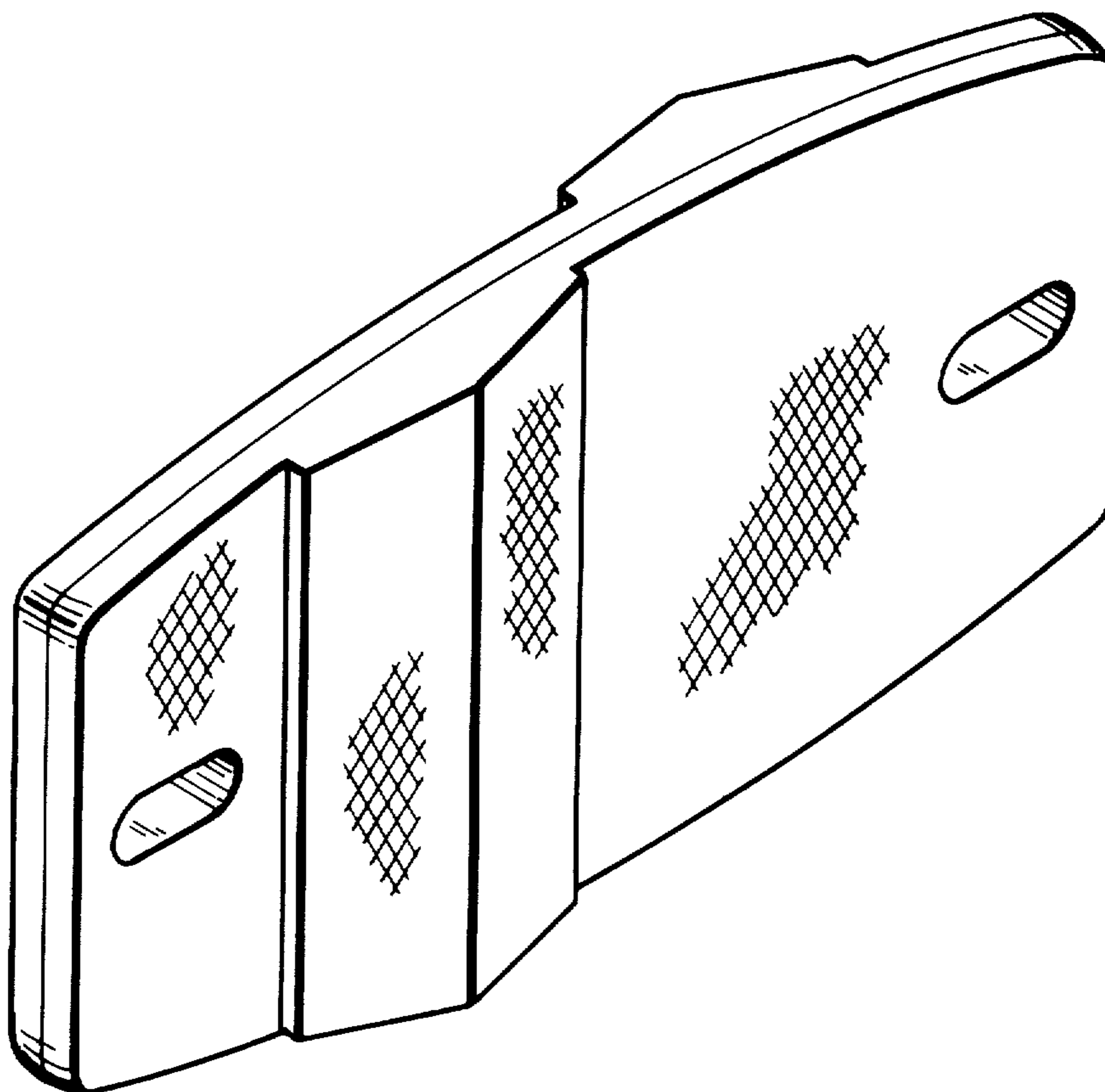


FIG. 1

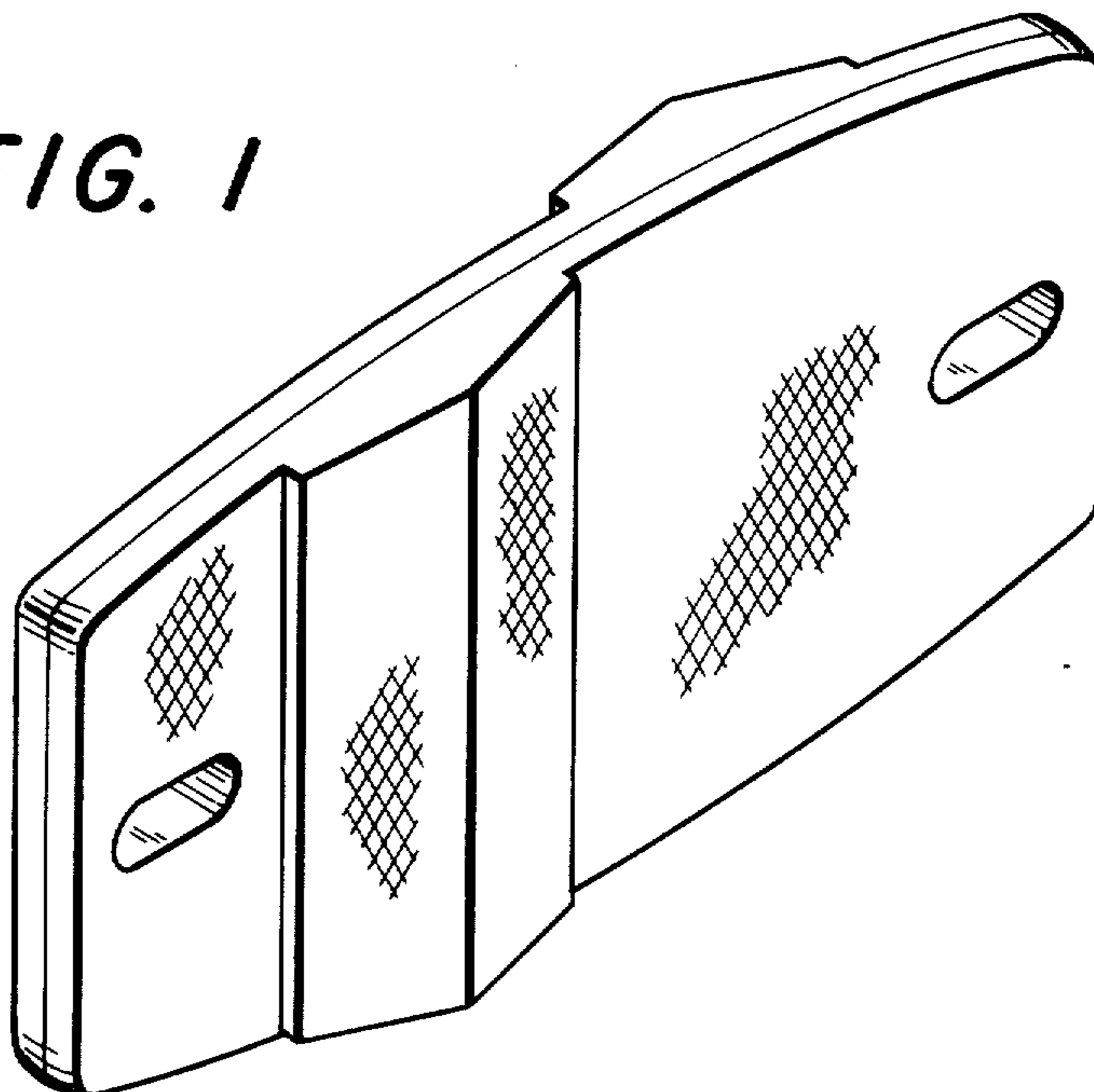


FIG. 2

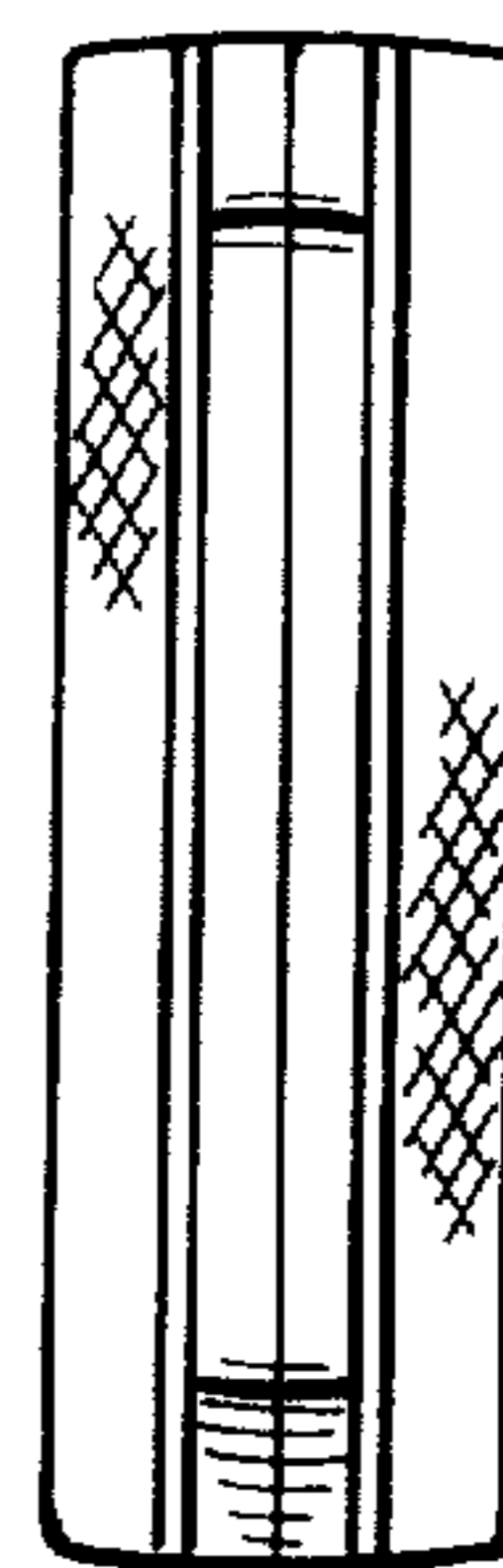
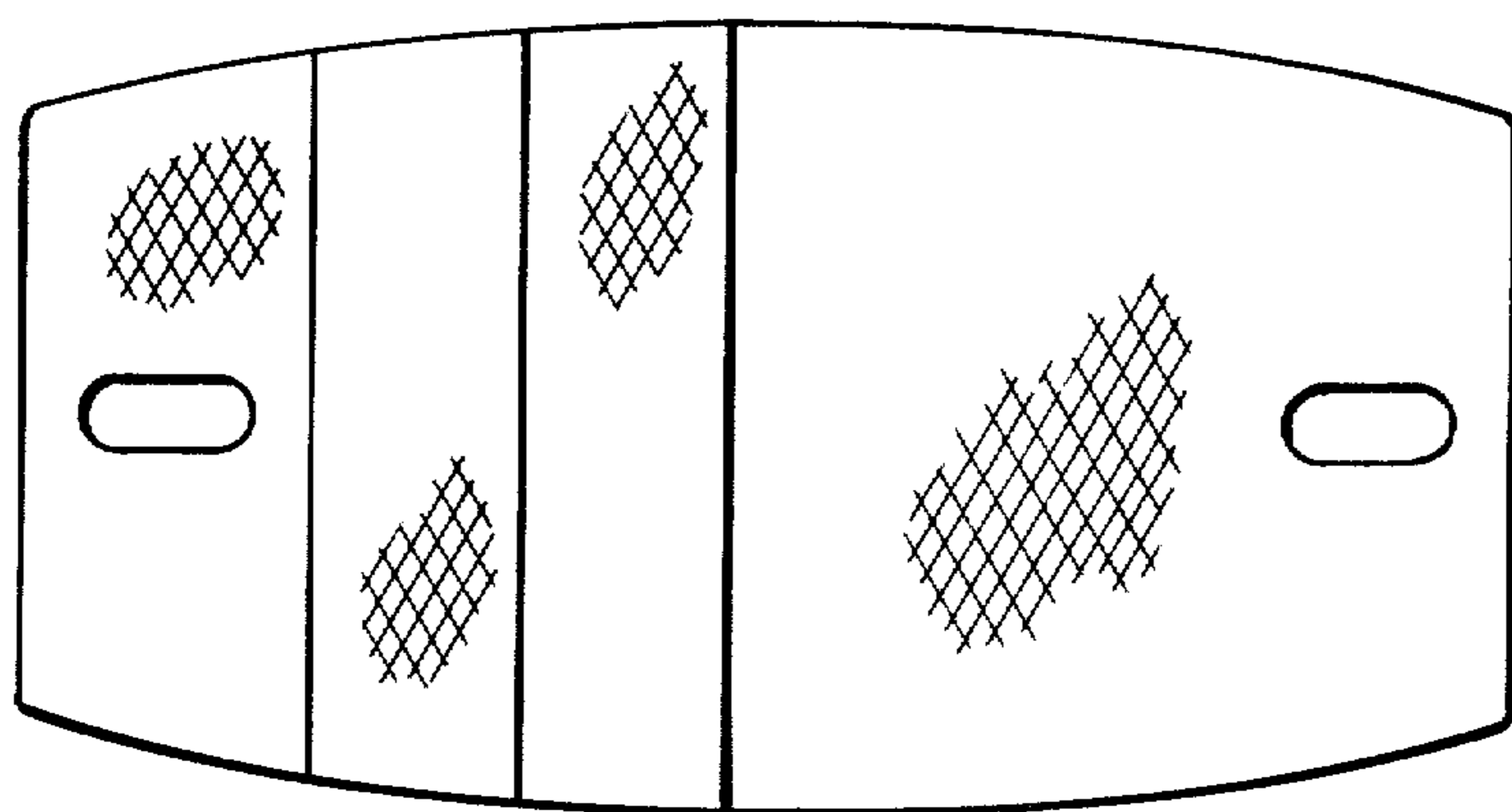


FIG. 3

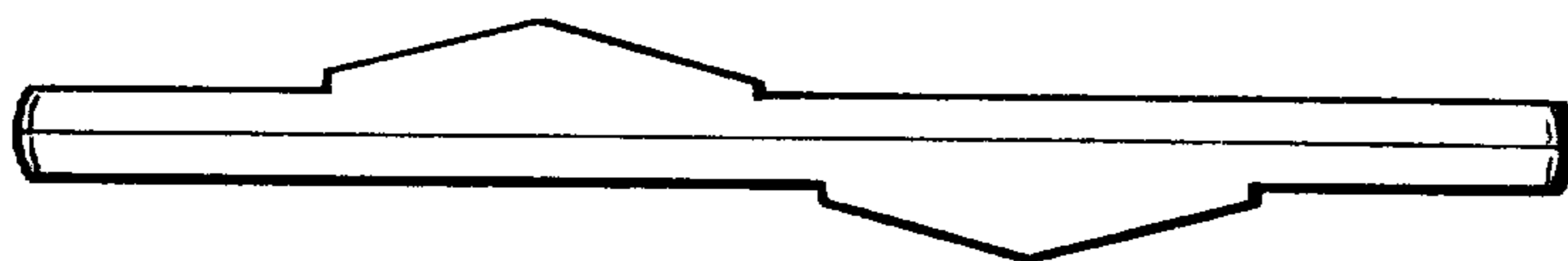


FIG. 4