

[54] **SCREW PLUG MOUNTING FOR AN ELECTRIC IMMERSION HEATER**

[76] Inventor: **Robert D. Shirey**, 207 Ennerdale Drive, Pittsburgh, Pa. 15208

[\*\*] Term: **14 Years**

[21] Appl. No.: **594,851**

[22] Filed: **July 10, 1975**

[51] Int. Cl. .... **D08-08**

[52] U.S. Cl. .... **D23/127**

[58] Field of Search ..... 85/1 R; 220/303; 4/367, 4/288, 284; D8/267, 264, 274, 273

[56] **References Cited**

**U.S. PATENT DOCUMENTS**

1,279,651	9/1918	Campbell	220/303
1,569,881	1/1926	Reid	220/367 X
3,138,173	6/1974	Hartman	220/367 X

*Primary Examiner*—William N. Wertman  
*Attorney, Agent, or Firm*—Michael Williams

[57] **CLAIM**

The ornamental design for a screw plug mounting for an electric immersion heater, substantially as shown and described.

**DESCRIPTION**

FIG. 1 is a perspective view of a screw plug mounting for an electric immersion heater showing my new design;

FIG. 2 is a top plan view of said mounting.

FIG. 3 is a sectional view corresponding to the line 3-3 of FIG. 2, and

FIG. 4 is a view similar to FIG. 3, but showing a slightly modified design; but having the same general appearance of FIG. 1.

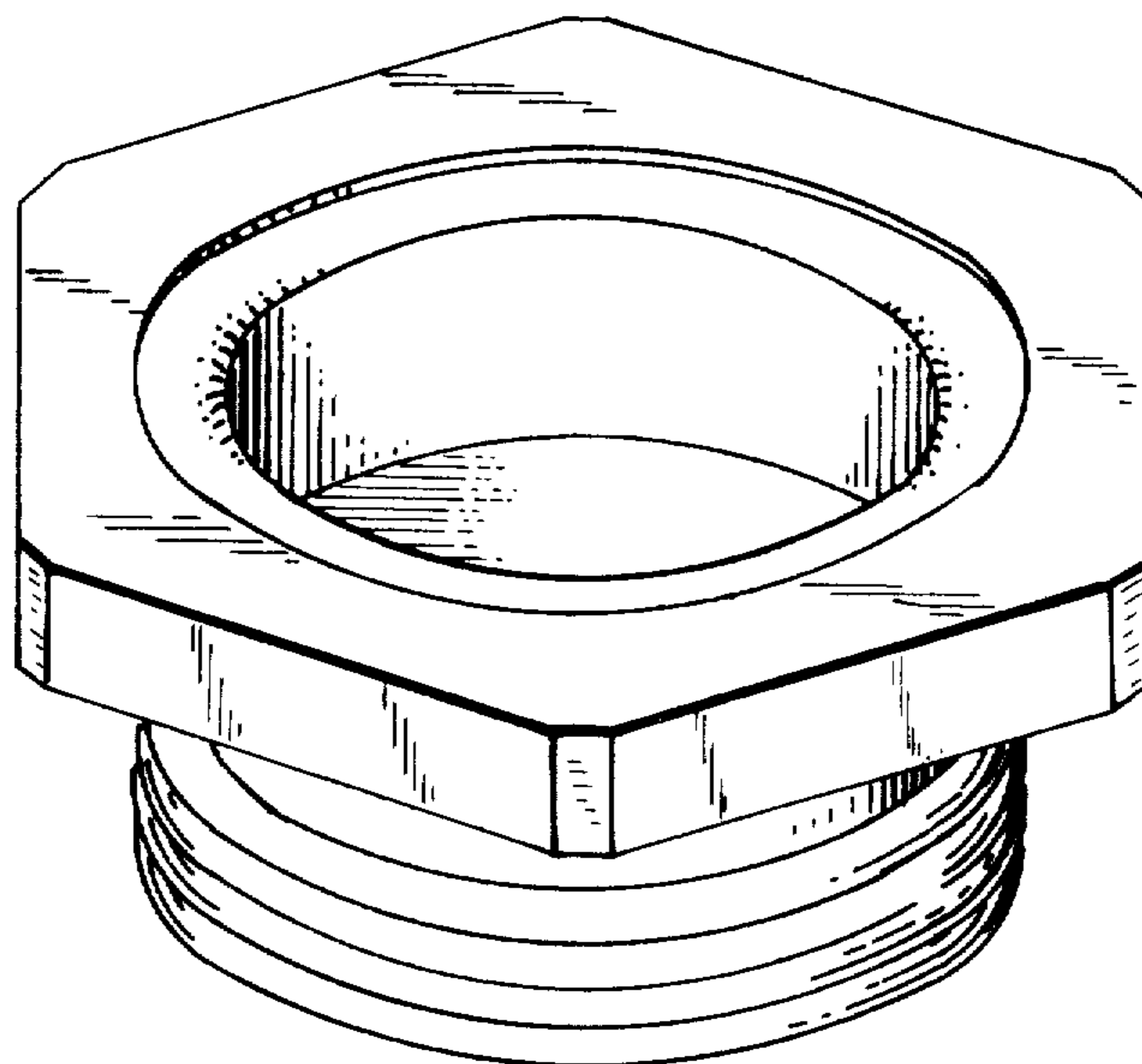


FIG. 1.

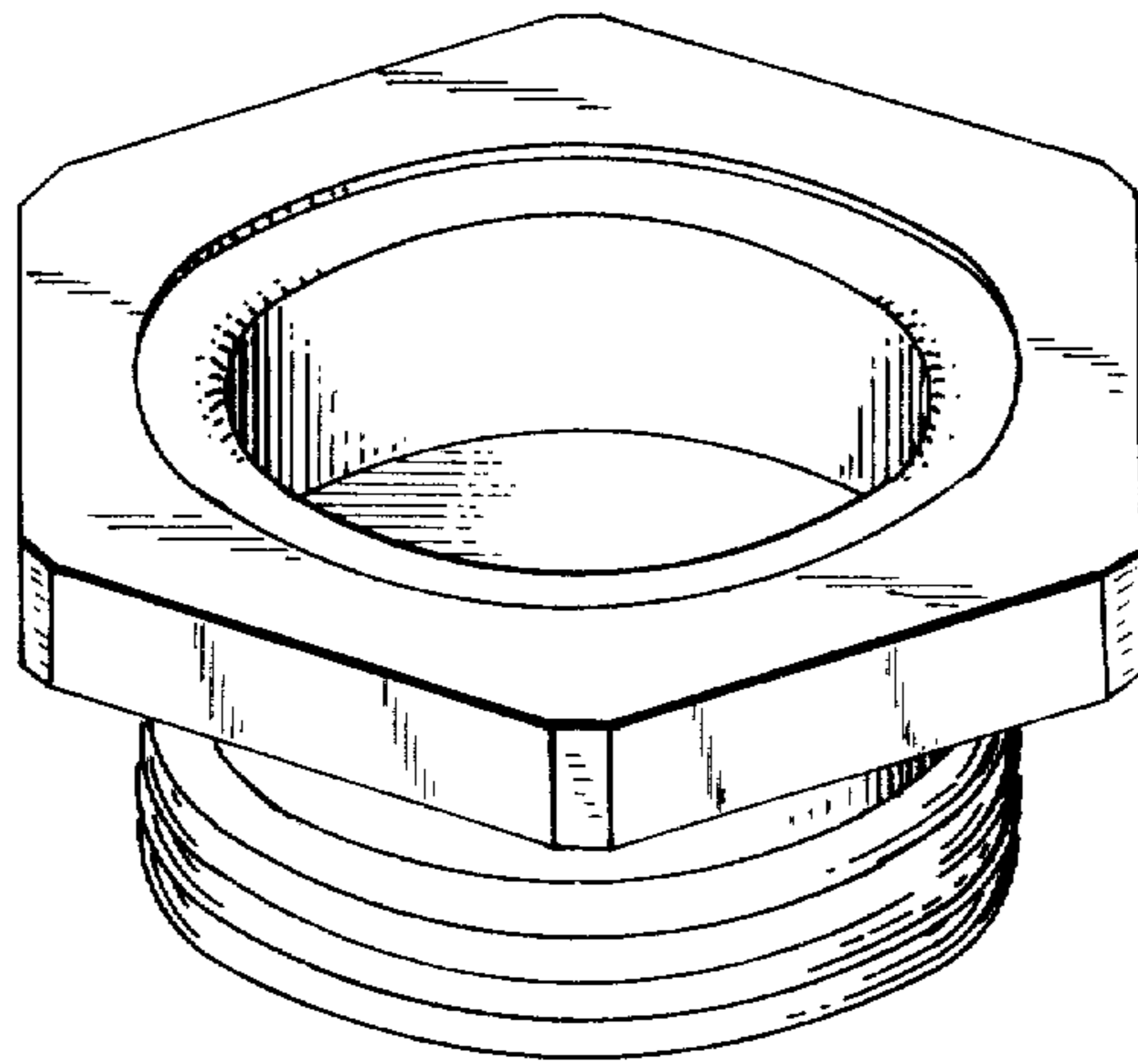


FIG. 2.

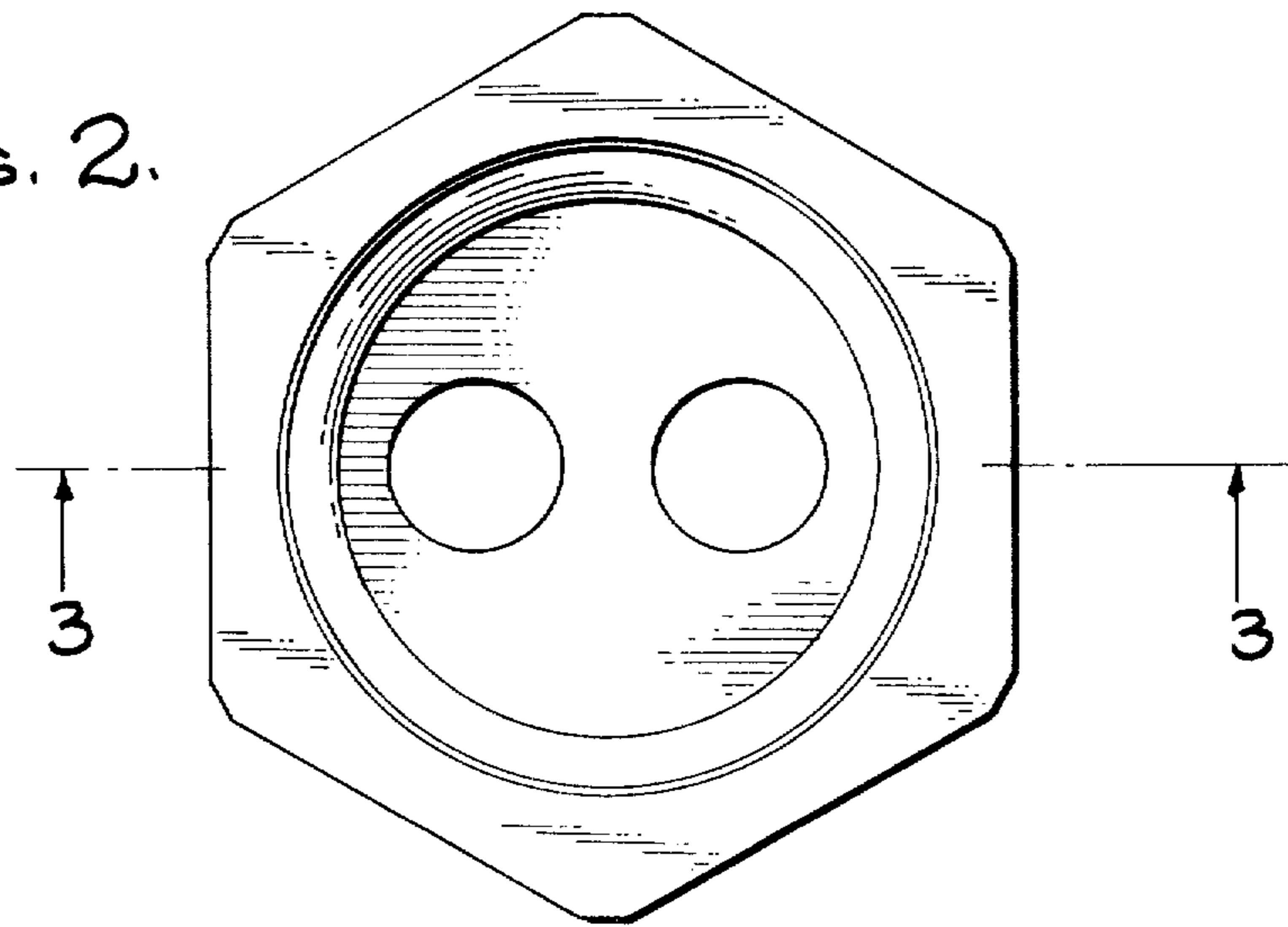


FIG. 3.

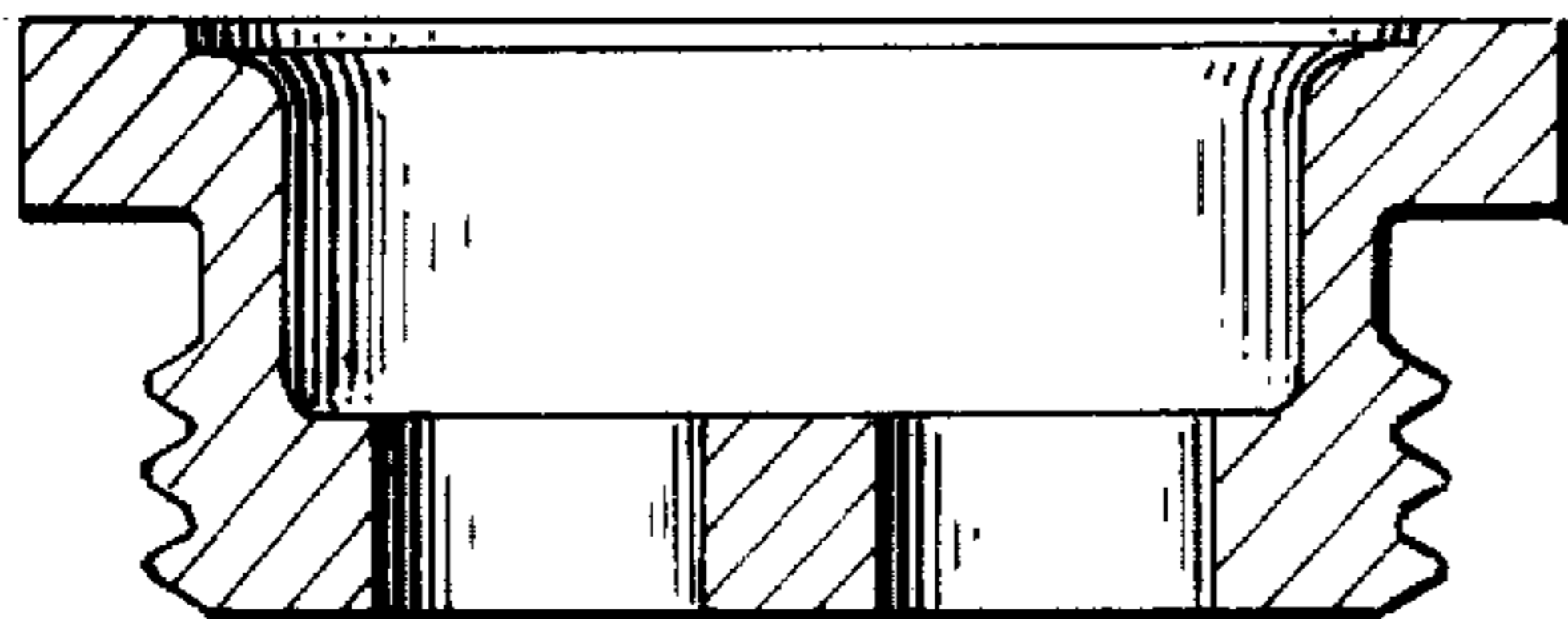


FIG. 4.

