

[54] DISPLAY RACK FOR CARPET SAMPLES OR THE LIKE

[75] Inventor: Gerard M. Schouten, Lancaster, Pa.

[73] Assignee: Armstrong Cork Company, Lancaster, Pa.

[**] Term: 14 Years

[21] Appl. No.: 577,641

[22] Filed: May 15, 1975

[52] U.S. Cl. D6/188

[58] Field of Search D6/20, 24, 85, 114, D6/130, 132, 134, 155, 157, 181, 184-186, 188-190, 167-169; 211/44, 45, 49 D, 89 (U.S. only)

[56] References Cited

U.S. PATENT DOCUMENTS

1,700,212	1/1929	Arlt	D6/184
2,017,944	10/1935	Braley	211/89
2,946,454	7/1960	Asher	211/45
3,534,863	10/1970	Howard	211/133
D. 151,342	10/1948	Gloss	D6/172

D. 191,484 10/1961 Bardo D6/114

FOREIGN PATENT DOCUMENTS

2,022,511 11/1971 Germany 211/45

Primary Examiner—Wallace R. Burke

Assistant Examiner—B. J. Bullock

Attorney, Agent, or Firm—Clifford B. Price

[57] CLAIM

The ornamental design for a display rack for carpet samples or the like, substantially as shown and described.

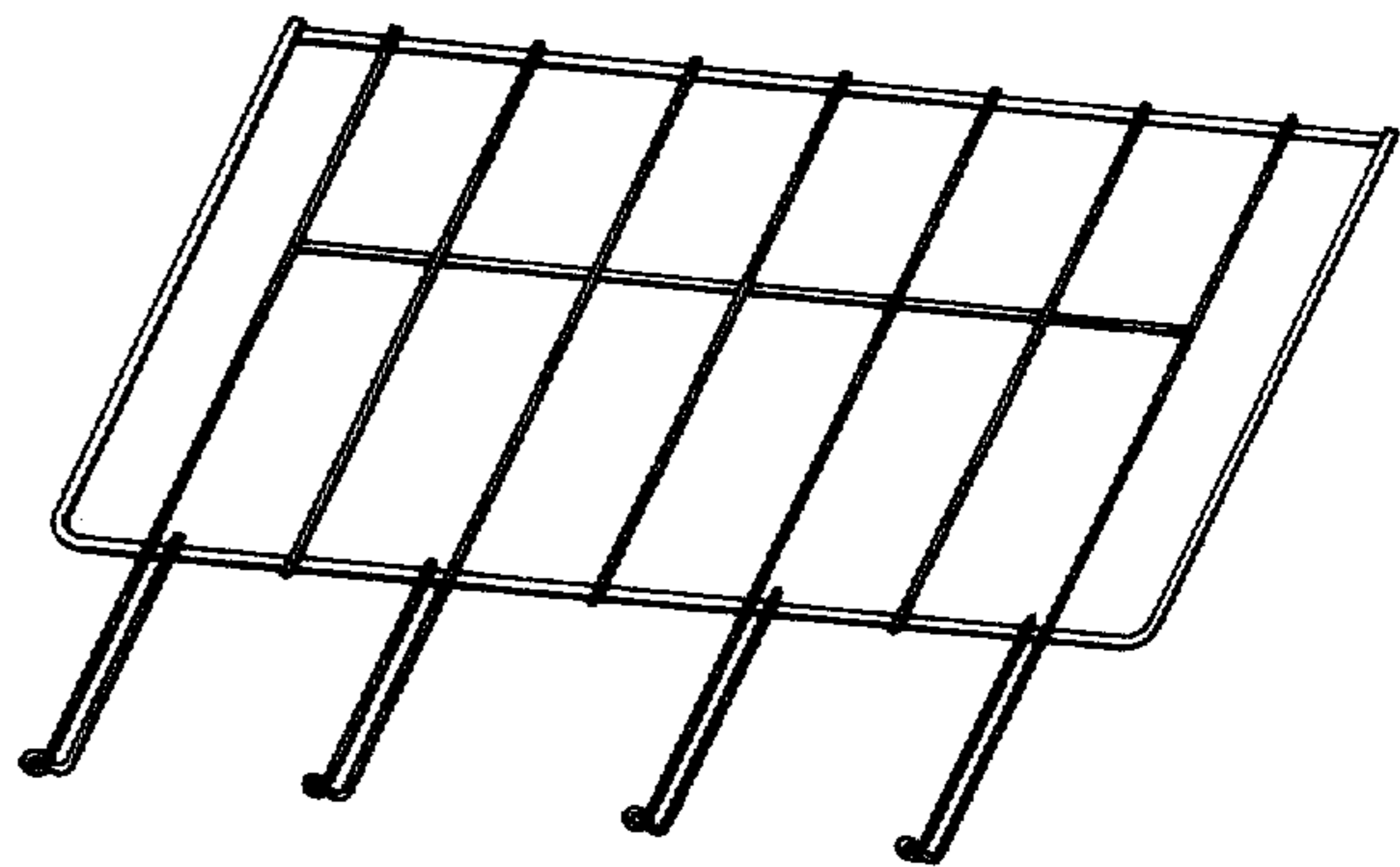
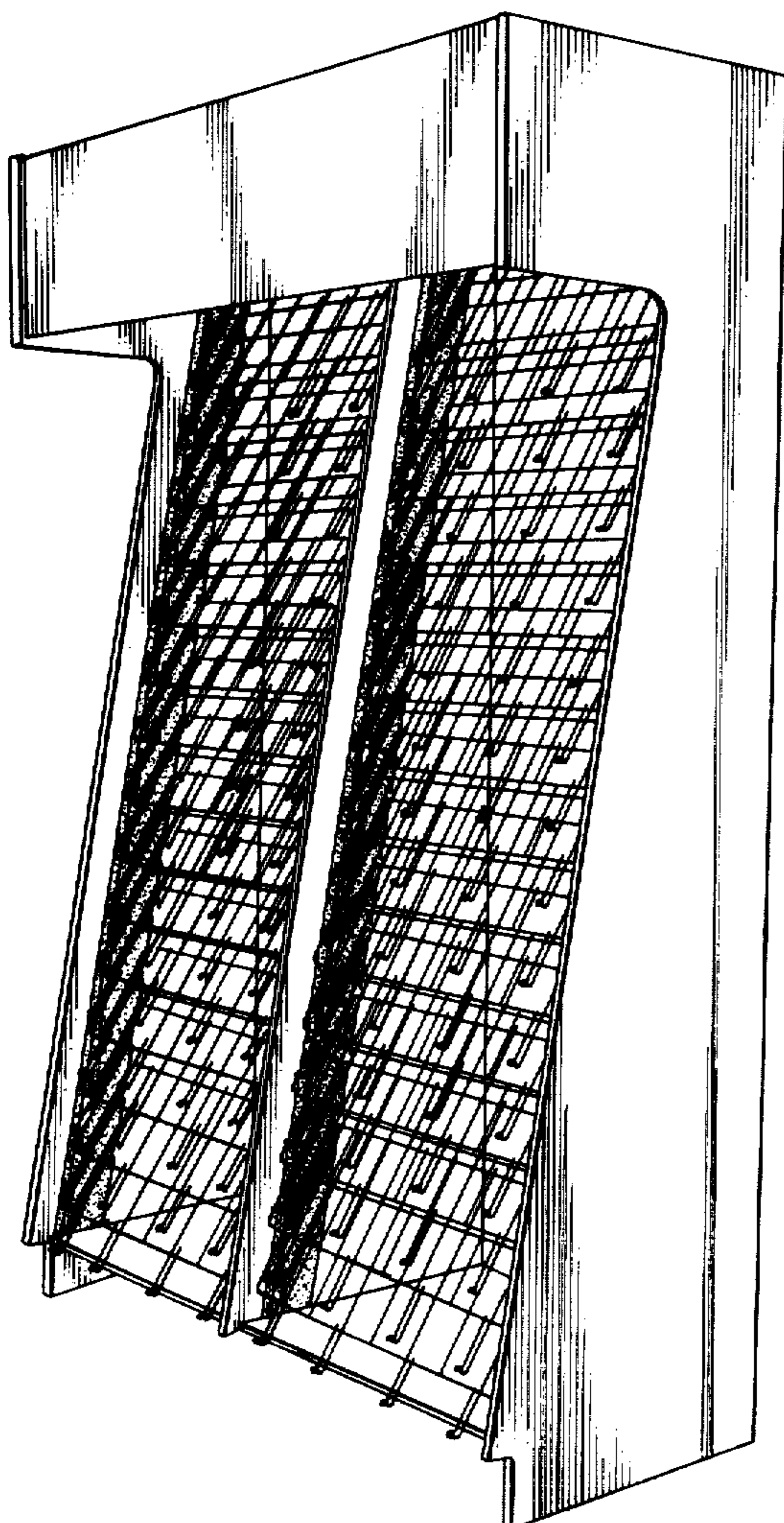
DESCRIPTION

FIG. 1 is a front perspective view of a display rack for carpet samples or the like showing the new design, the rear of the rack being open;

FIG. 2 is an enlarged perspective view of a single supporting element; and

FIG. 3 is an enlarged fragmentary perspective view of several of the supporting elements.

The top of the display rack is flat and unornamented.



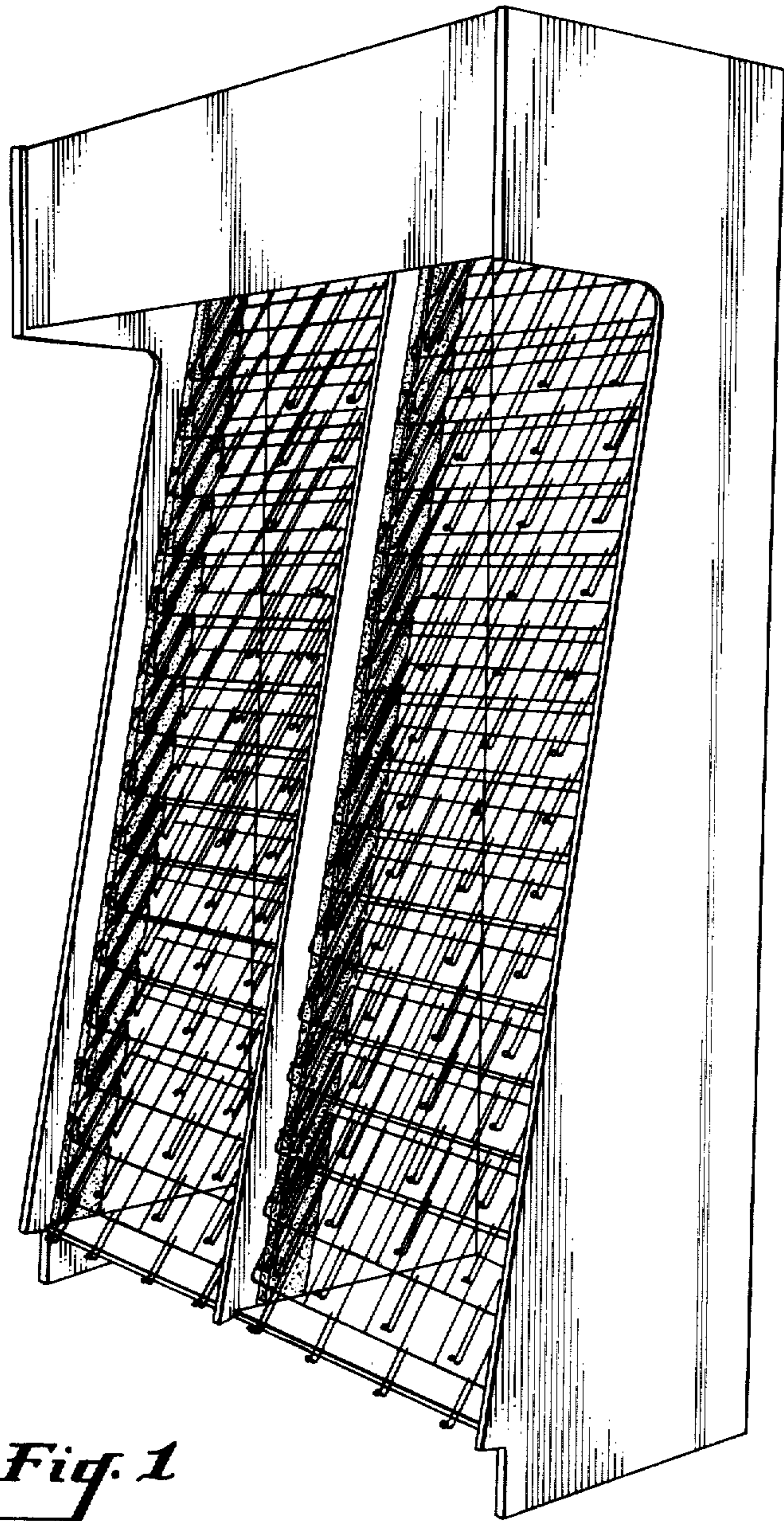


Fig. 1

Fig. 2

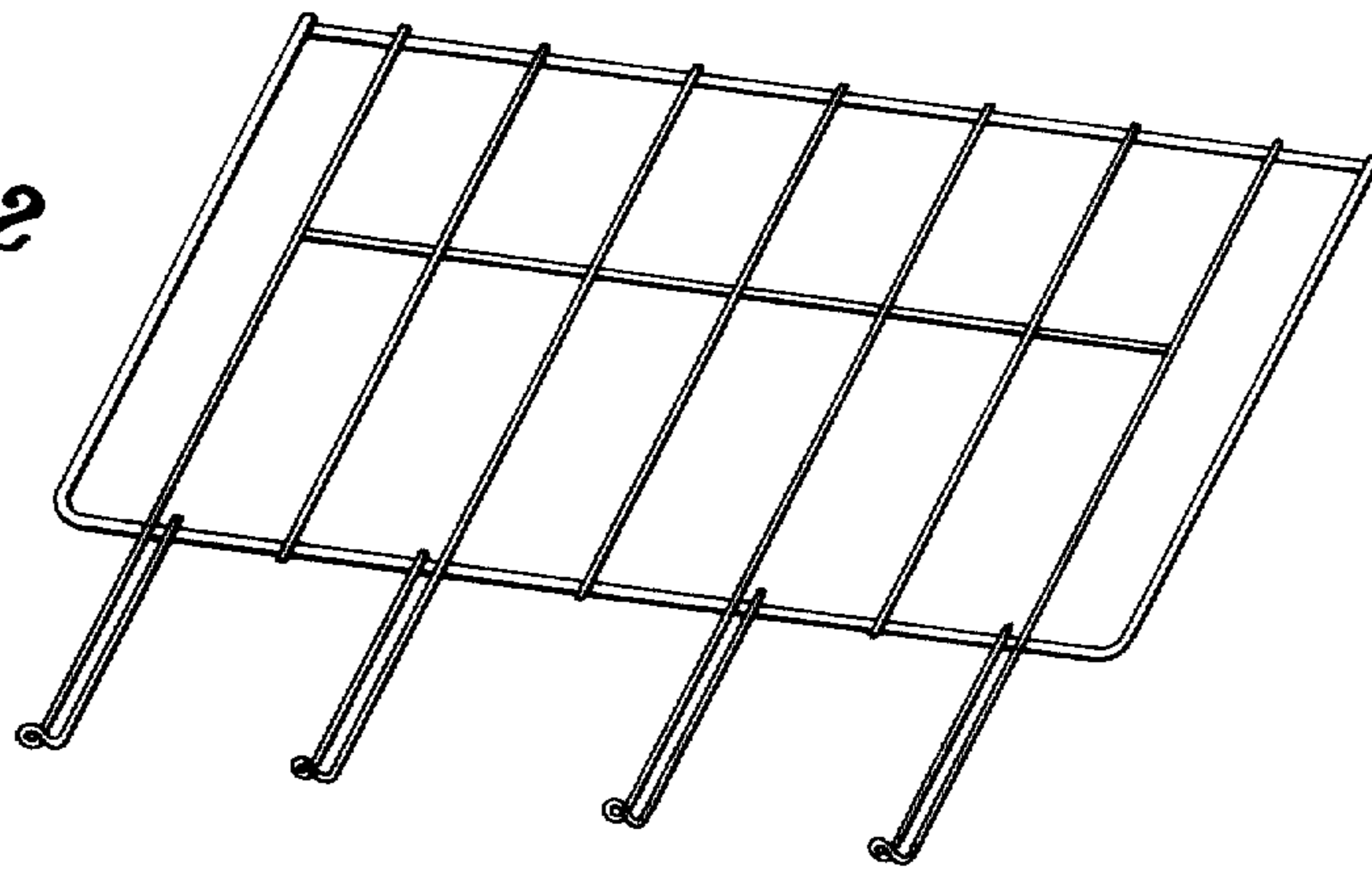


Fig. 3

