

[54] **STAND FOR A TELEPRINTER**

[75] Inventor: **John E. Knox**, Eisental, Affental, Germany

[73] Assignee: **International Standard Electric Corporation**

[\*\*] Term: **14 Years**

[21] Appl. No.: **594,816**

[22] Filed: **July 10, 1975**

[30] **Foreign Application Priority Data**  
 Jan. 17, 1975 Germany ..... 4262

[51] **Int. Cl.** ..... **D6-04**

[52] **U.S. Cl.** ..... **D6/181**

[58] **Field of Search** ..... D26/5 R, 5 C, 14 R;  
 D64/11 R, 11 B, 11 C; D6/181, 190; 312/194,  
 196, 280-283; 178/23 R

[56] **References Cited**

**U.S. PATENT DOCUMENTS**

2,306,209	12/1942	Elofson et al. ....	312/196 UX
D. 142,097	8/1945	Lindgren et al. ....	312/19 UX
D. 211,471	6/1968	Winkler .....	D26/14 R
D. 229,835	1/1974	Dahl .....	D26/14 R
D. 233,718	11/1974	Panzica .....	D26/5 C X

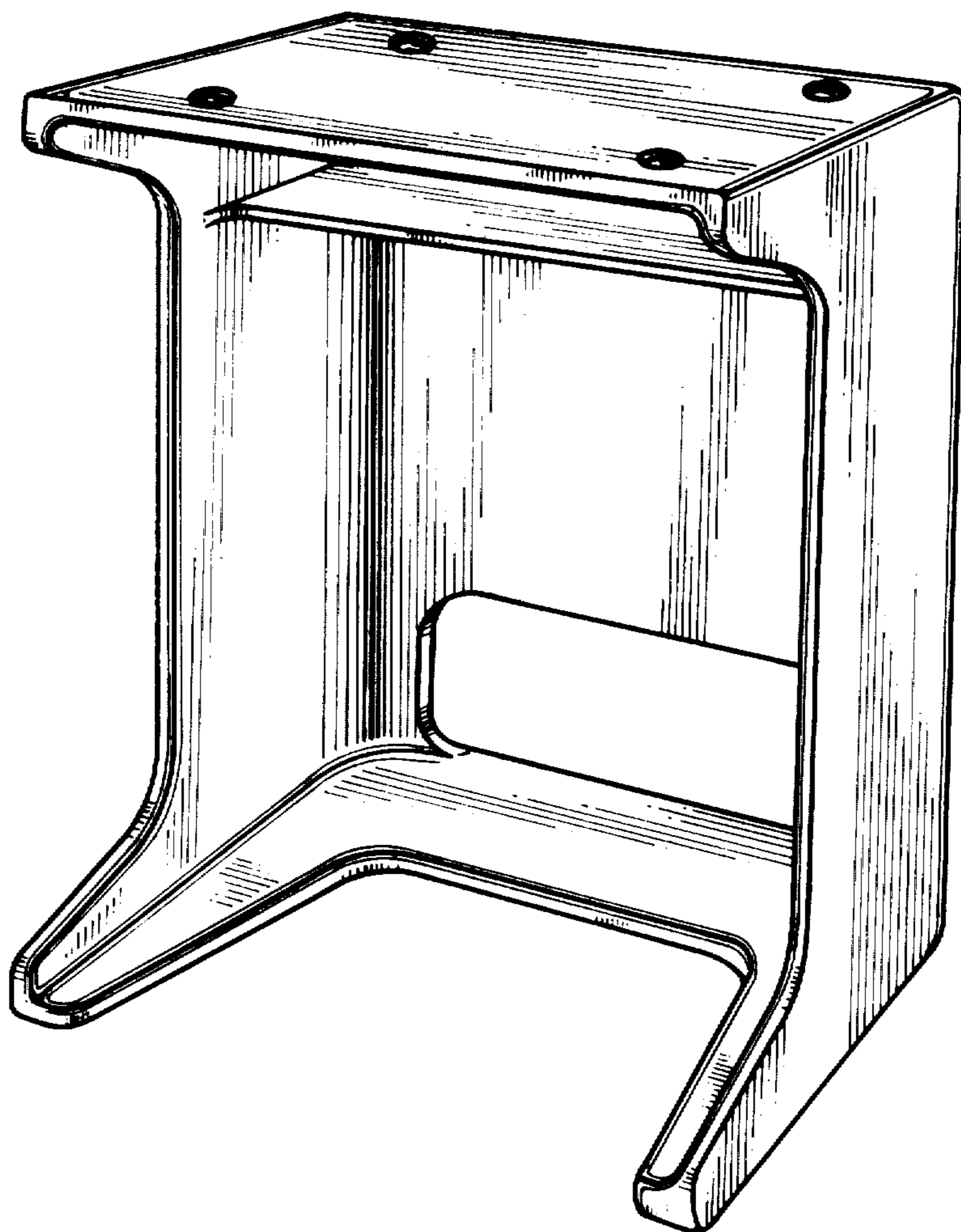
*Primary Examiner*—Wallace R. Burke  
*Assistant Examiner*—Catherine Kemper  
*Attorney, Agent, or Firm*—Leonard B. Mackey

[57] **CLAIM**

The ornamental design for a stand for a teleprinter, substantially as shown.

**DESCRIPTION**

FIG. 1 is a front perspective view of a stand for a teleprinter showing my new design; and FIG. 2 is a rear perspective view of the stand of FIG. 1.



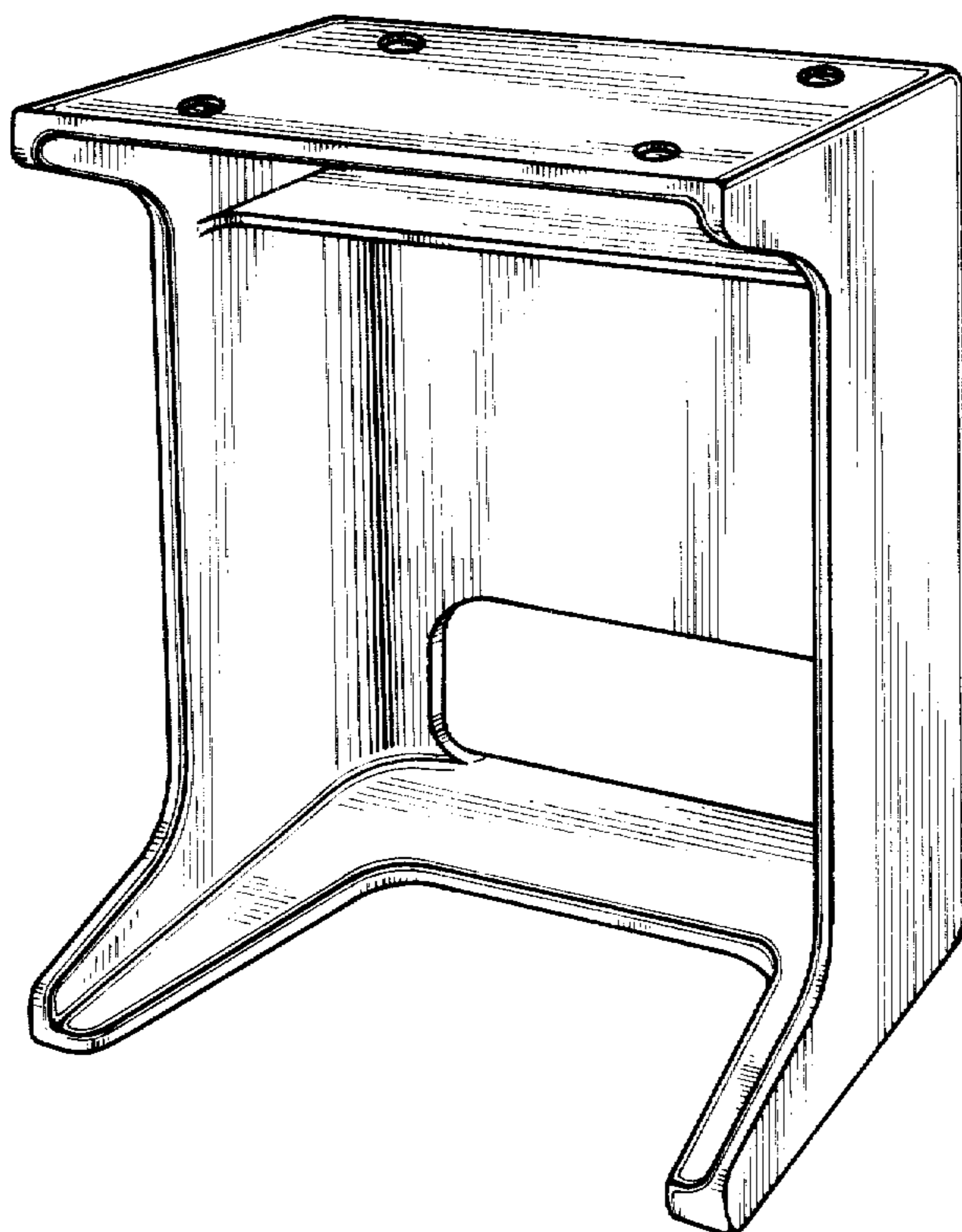


FIG. 1.

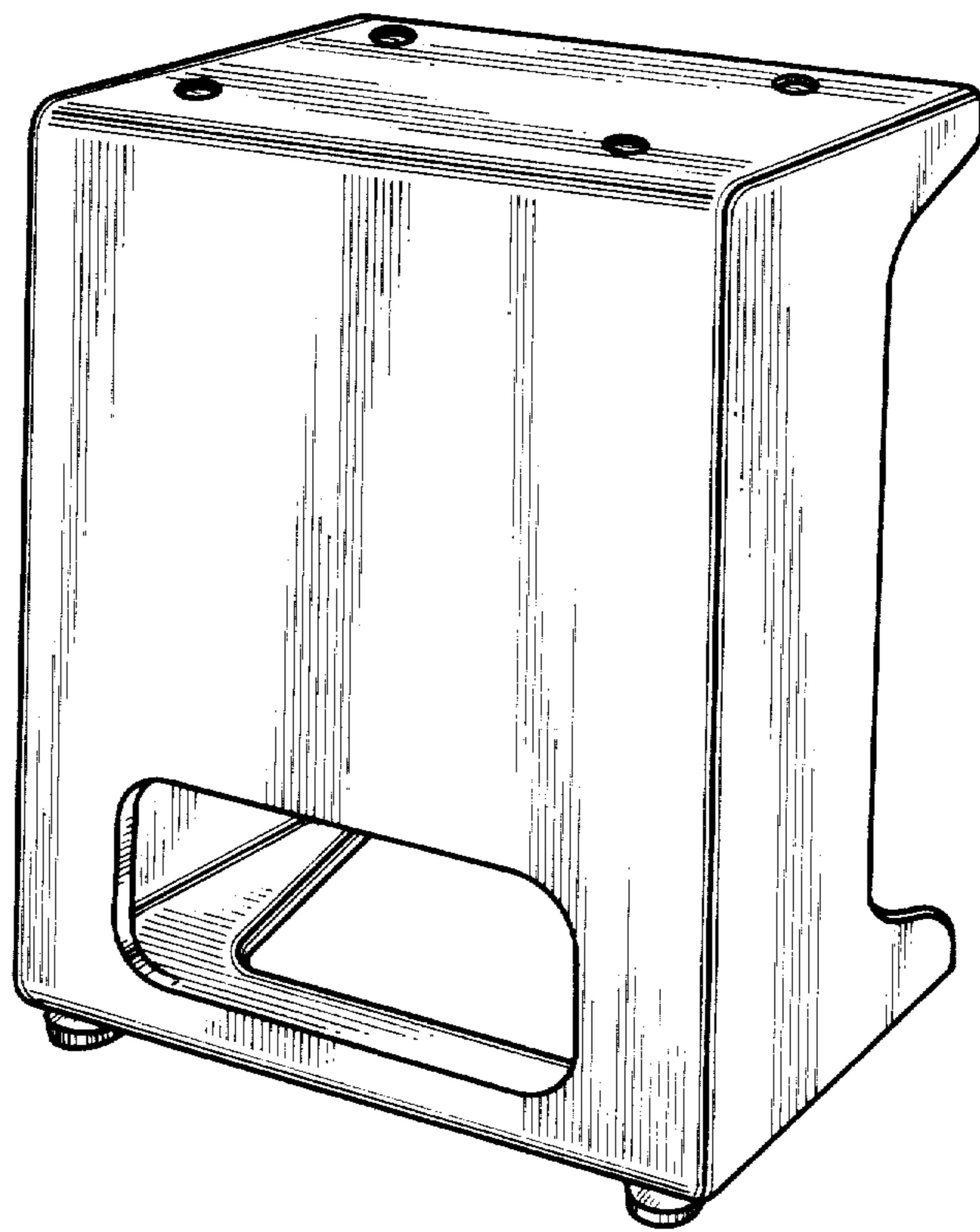


FIG.2.