

[54] HOT WATER EXTRACTION-TYPE CARPET CLEANING APPARATUS AND WHEELED DOLLY THEREFOR

[75] Inventor: Robert N. Bartlett, Denver, Colo.

[73] Assignee: Windsor Industries, Inc., Denver, Colo.

[**] Term: 14 Years

[21] Appl. No.: 596,296

[22] Filed: July 16, 1975

[51] Int. Cl. D7-05

[52] U.S. Cl. D15/54

[58] Field of Search D7/165-174; 15/320, 354, 321, 353, 327 R, 327 D, 347-349, 323-325; 55/302, 337, 341, 357, 358, 366, 372, 374, 378, 429, 459, 466, 467, 478, DIG. 3

[56] References Cited

U.S. PATENT DOCUMENTS

2,778,563	1/1957	Doyle	15/327 R UX
2,962,118	11/1960	Lee et al.	15/327 R X
3,320,727	5/1967	Farley et al.	15/327 R X
3,653,190	4/1972	Lee et al.	15/327 R X

D. 237,035 10/1975 Berendes et al. D7/166

Primary Examiner—Wallace R. Burke

Assistant Examiner—Catherine Kemper

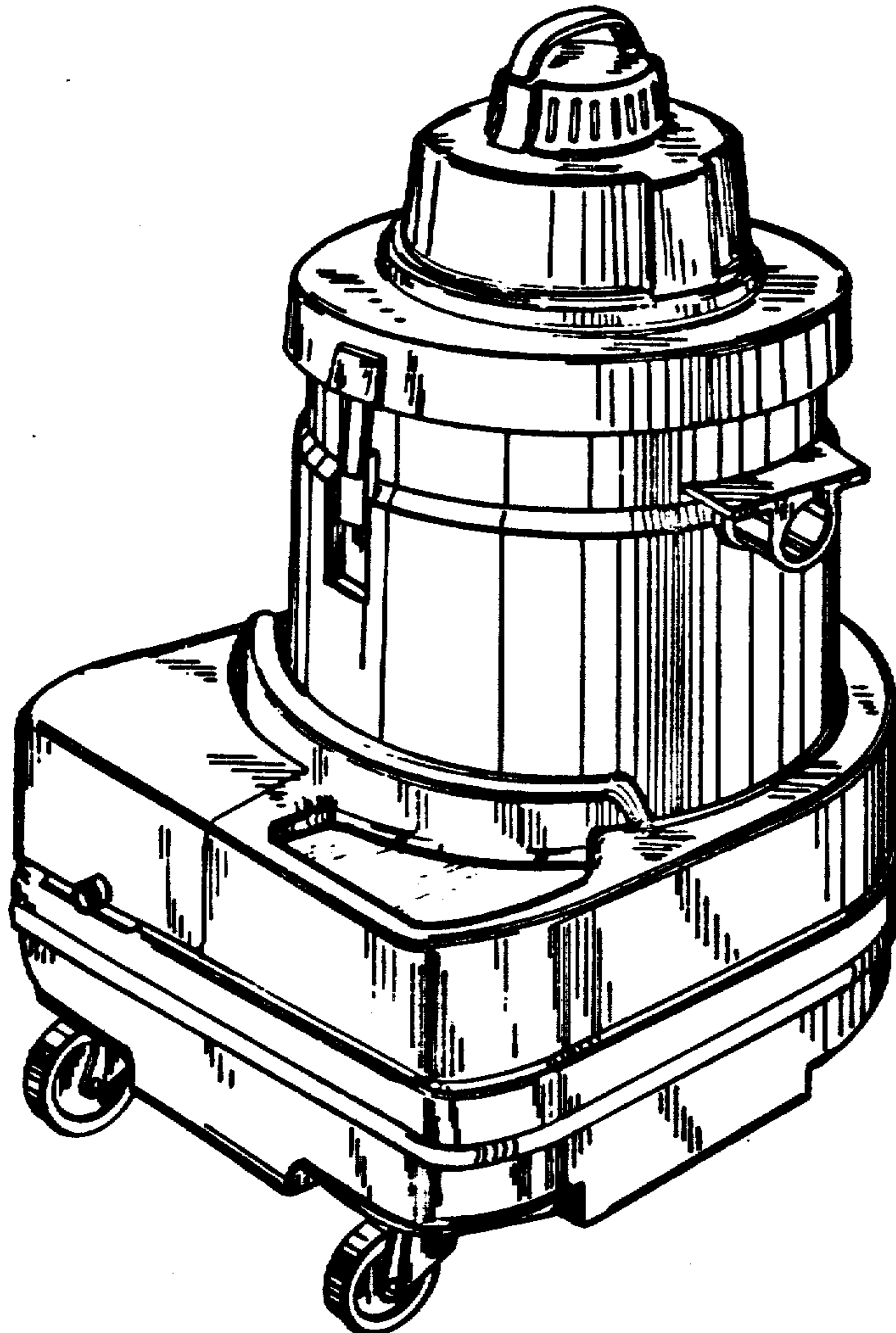
Attorney, Agent, or Firm—Edwin L. Spangler, Jr.

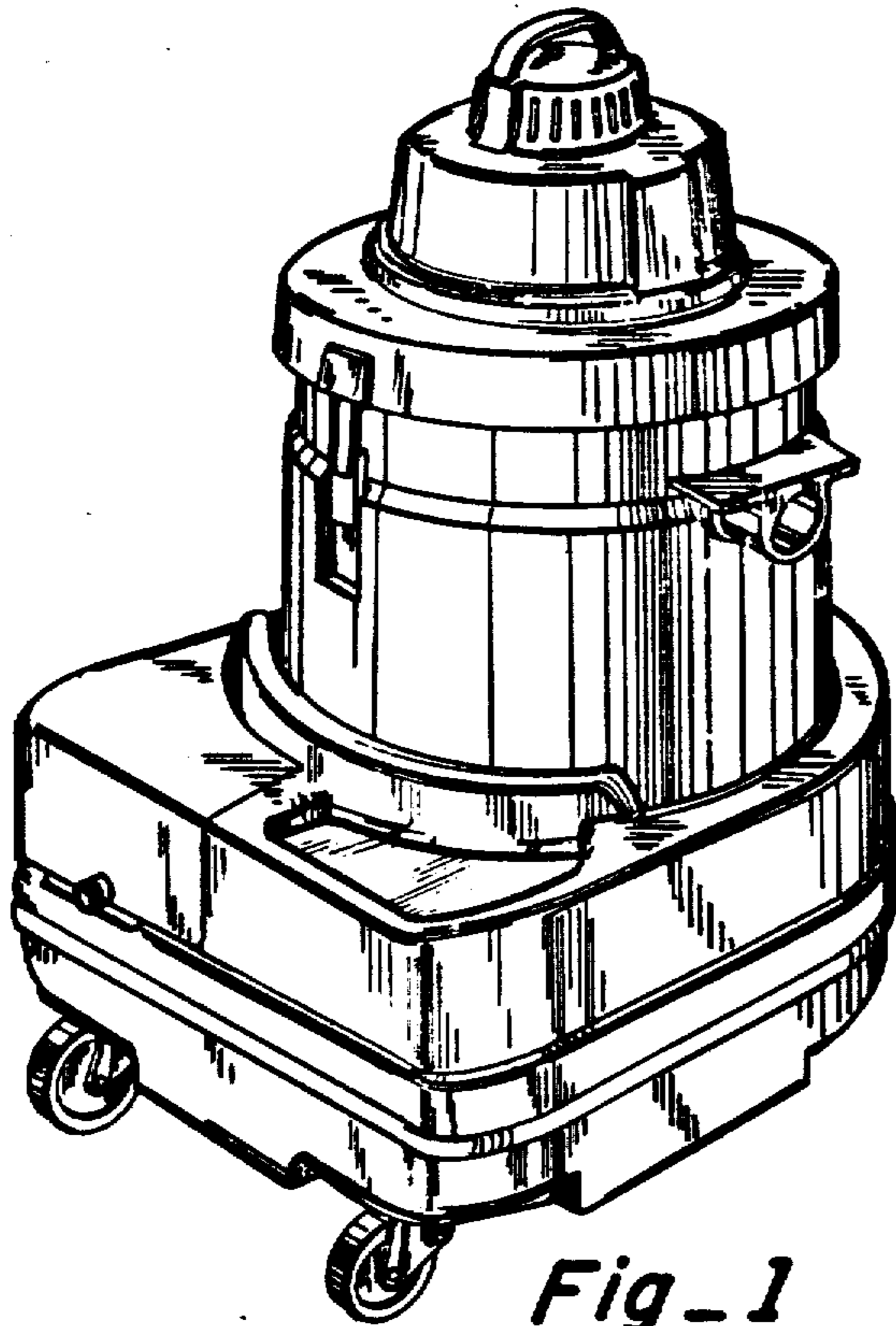
[57] CLAIM

The ornamental design for a hot water extraction-type carpet cleaning apparatus and wheeled dolly therefor, as shown and described.

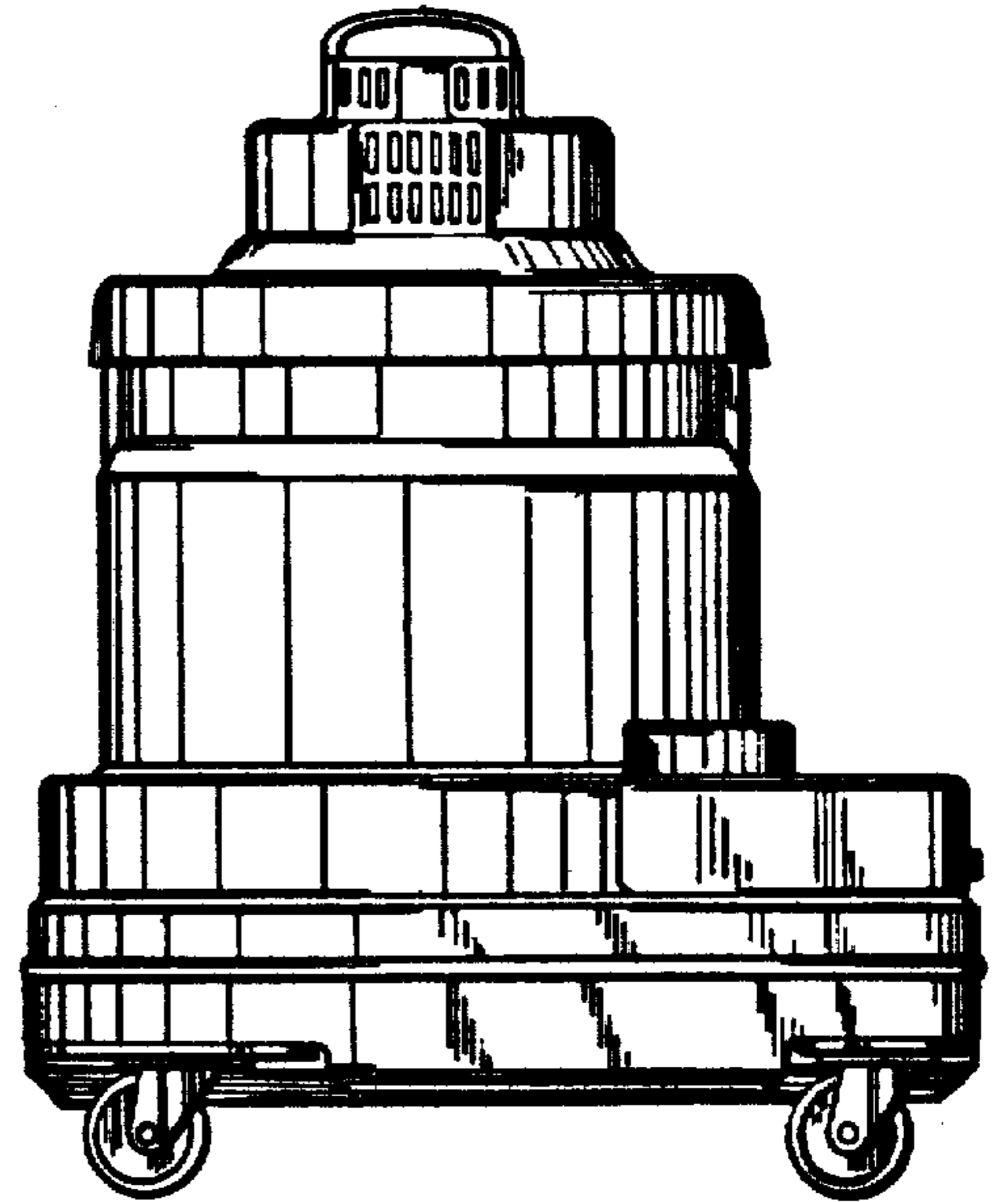
DESCRIPTION

FIG. 1 is a perspective view of a hot water extraction-type carpet cleaning apparatus and wheeled dolly therefor showing my new design; FIG. 2 is a left side elevation thereof; FIG. 3 is a top plan view thereof; FIG. 4 is a front elevation thereof; FIG. 5 is a bottom view thereof; FIG. 6 is a perspective view of the cleaning unit shown with the dolly removed for completeness of disclosure and convenience of illustration; FIG. 7 is a bottom plan view thereof; FIG. 8 is a perspective view of the dolly portion shown with the cleaning unit removed for completeness of disclosure and convenience of illustration; FIG. 9 is a top plan view thereof.

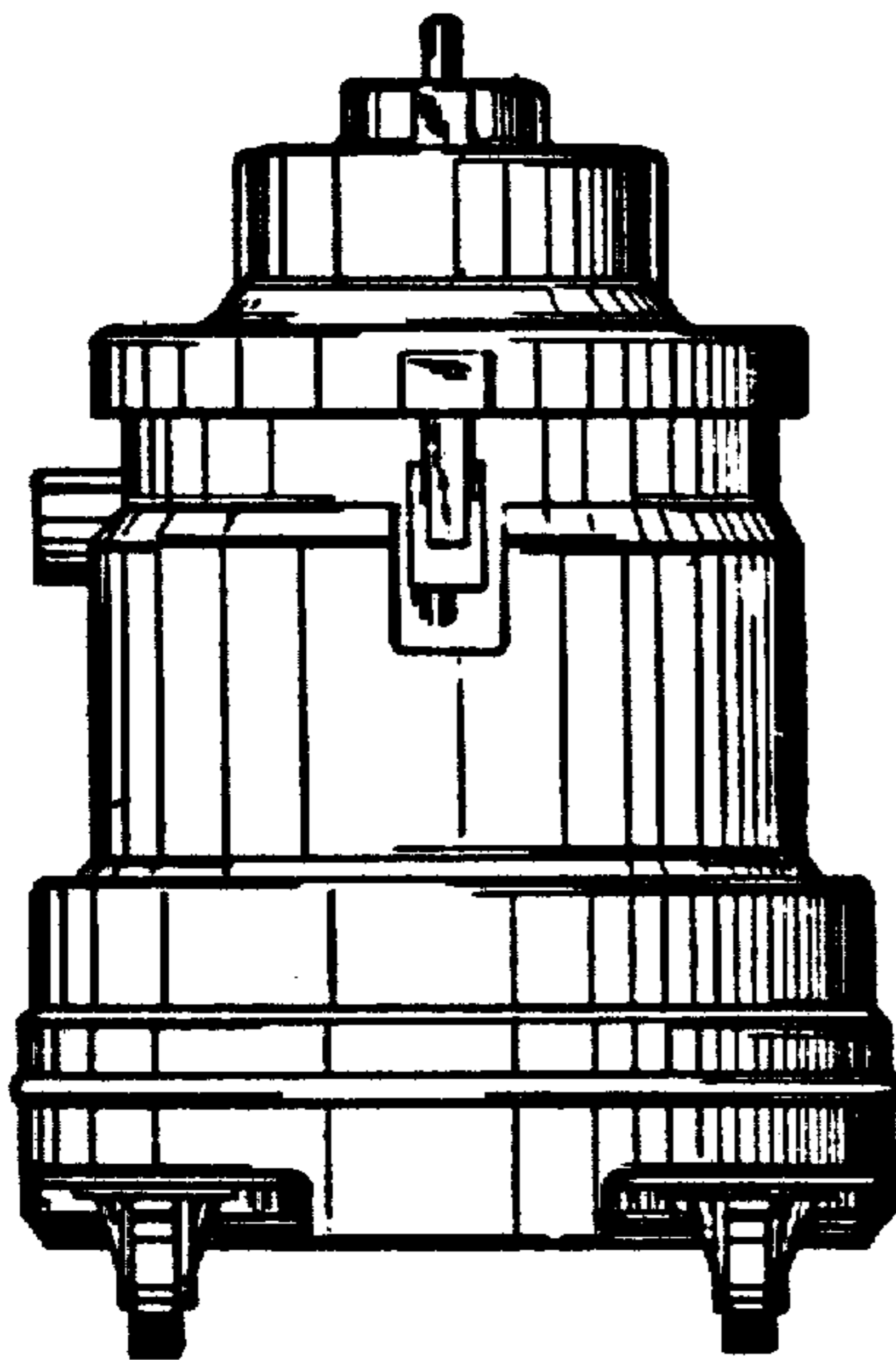




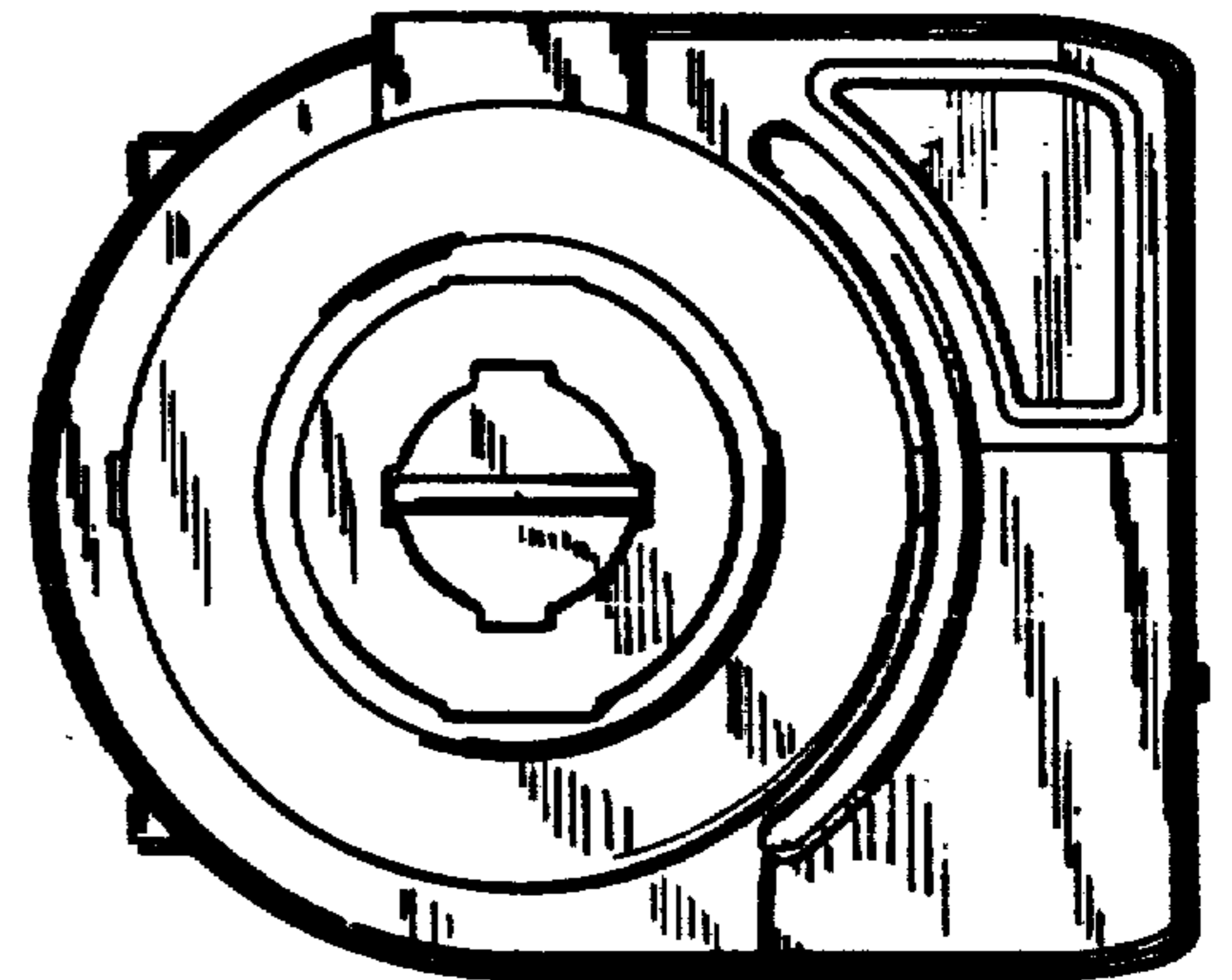
Fig_1



Fig_2

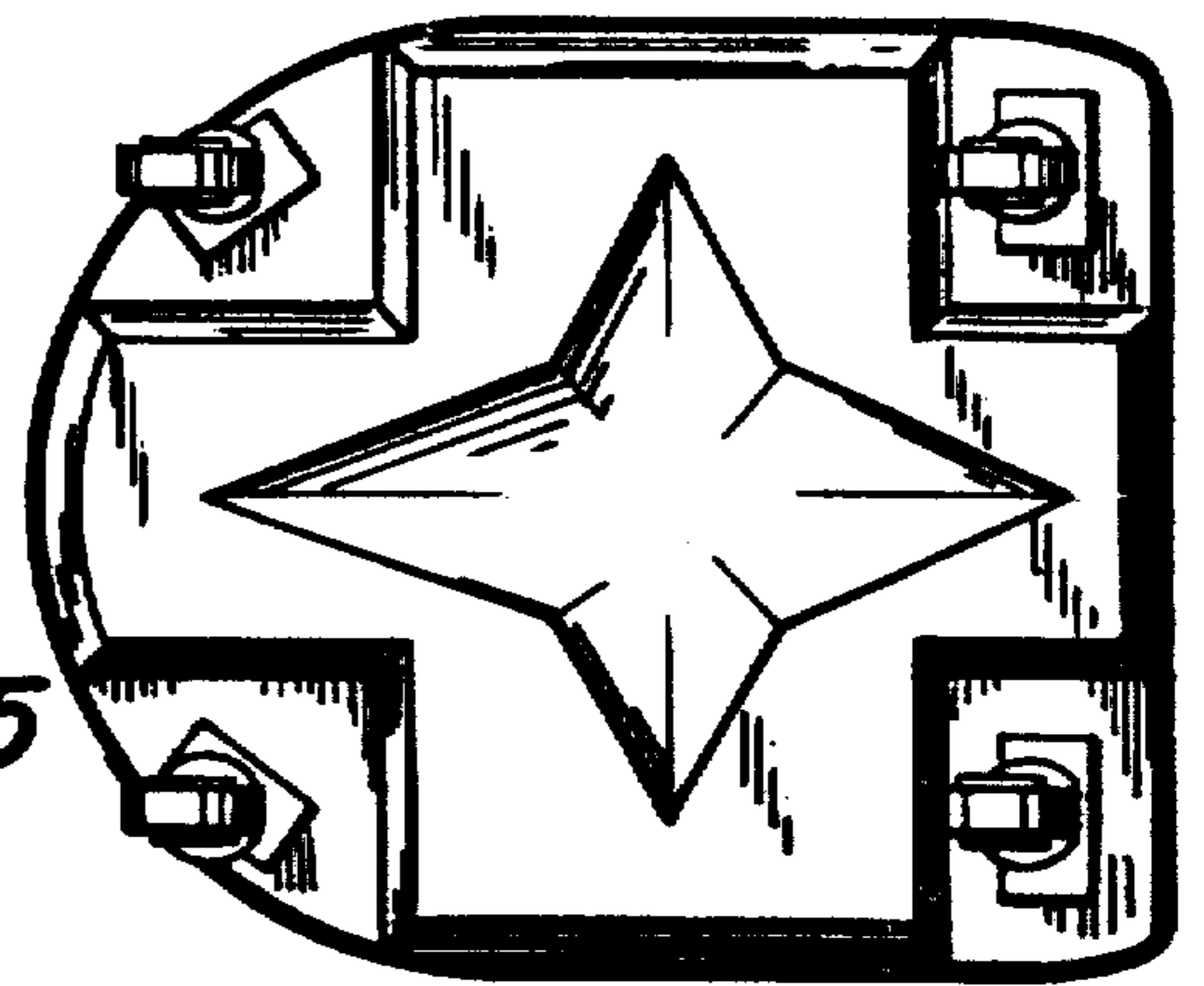


Fig_4



Fig_3

Fig_5



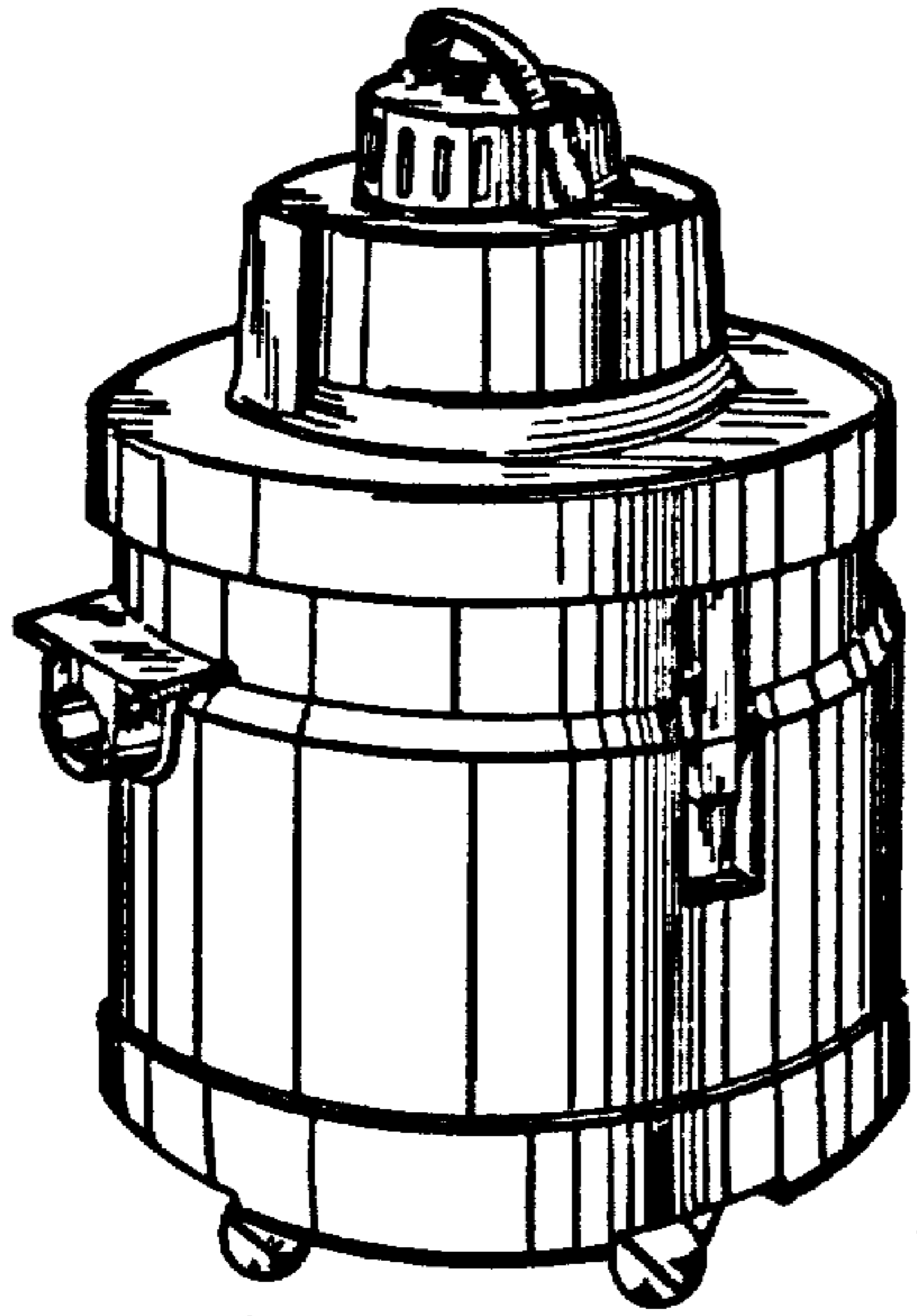


Fig. 6

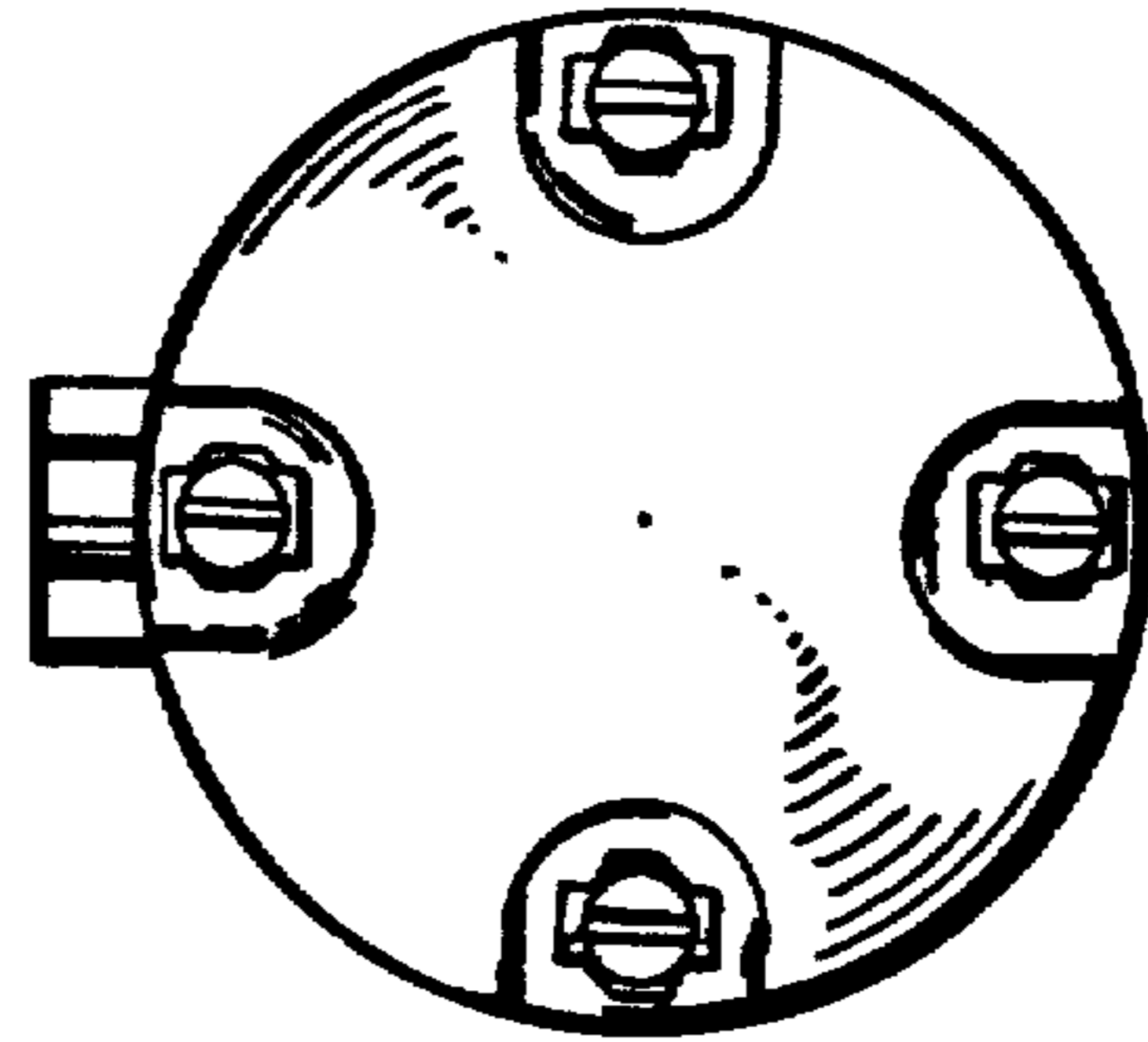


Fig. 7

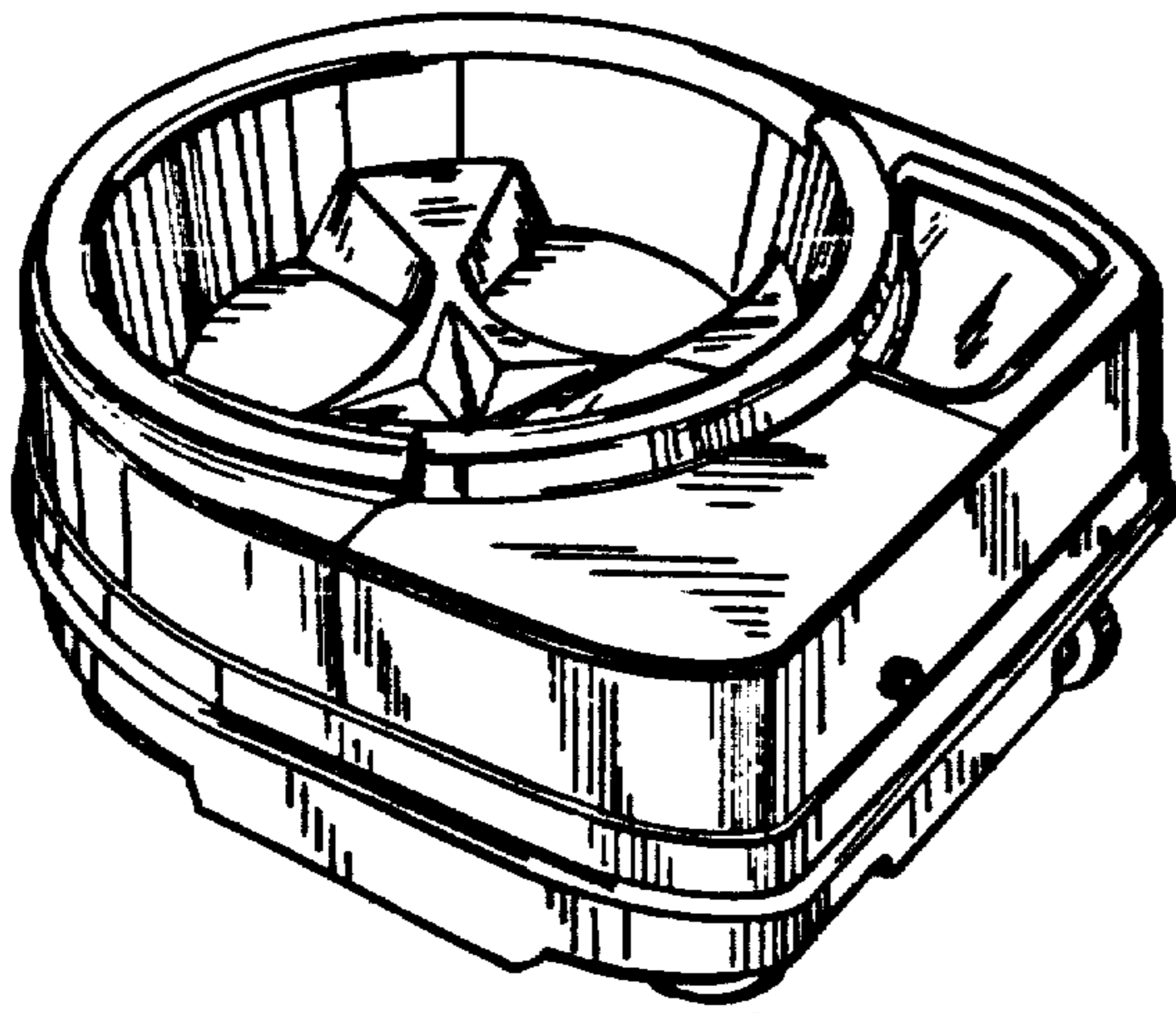


Fig. 8

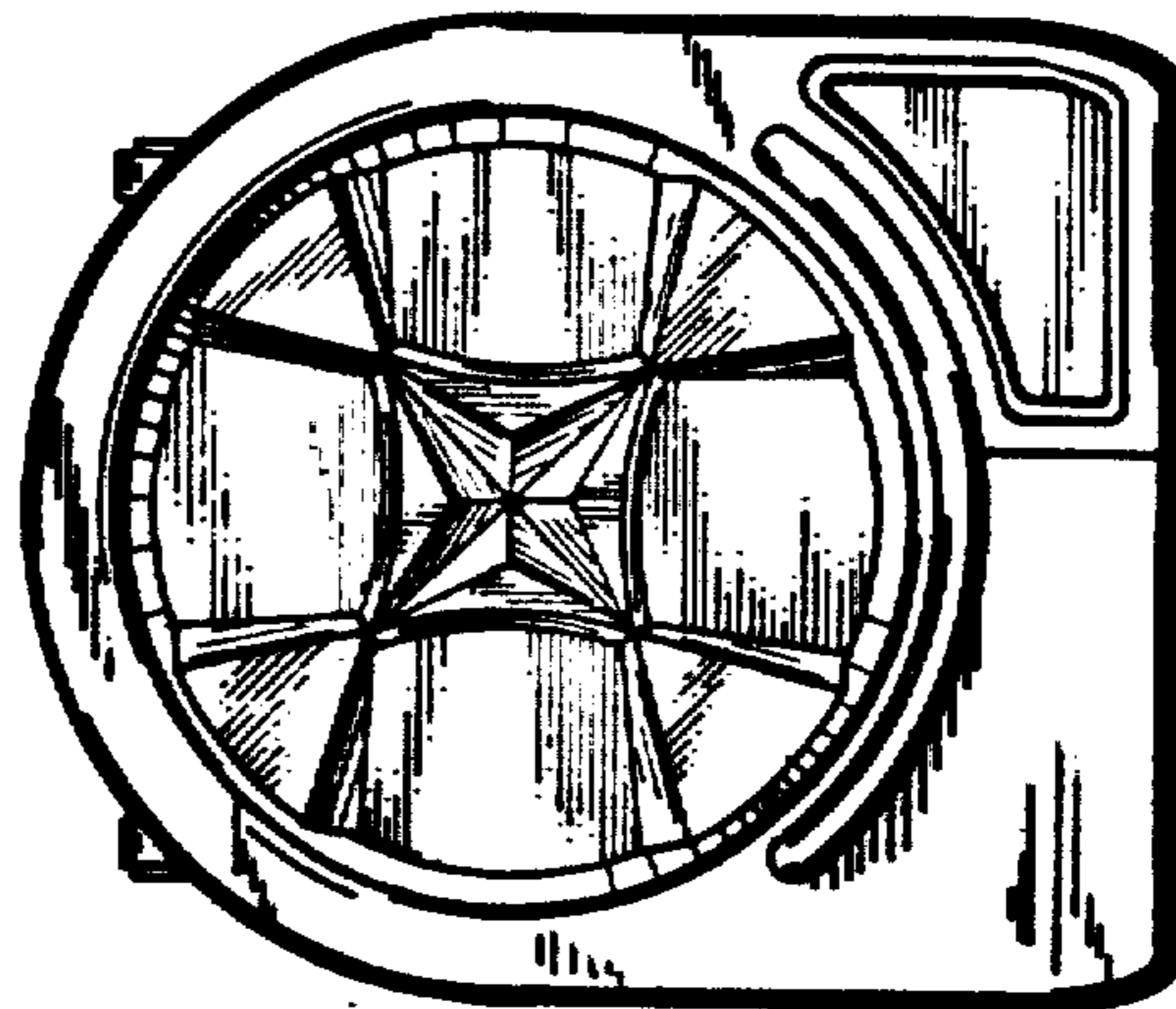


Fig. 9