

[54] **MEASURING CUP RACK**  
[75] Inventor: **Charles Martin Flaherty**,  
Casselberry, Fla.  
[73] Assignee: **Dart Industries Inc.**, Los Angeles,  
Calif.  
[\*\*] Term: **14 Years**  
[21] Appl. No.: **657,797**  
[22] Filed: **Feb. 13, 1976**  
[51] Int. Cl. .... **D6-04**  
[52] U.S. Cl. .... **D6/114**  
[58] Field of Search ..... D6/85, 87, 114, 118,  
D6/120, 125, 129, 130, 131, 132, 134, 136,  
137, 191, 199; 211/13, 60 R, 87, 88, 32

2,634,865 4/1953 Geheb ..... 211/87  
2,990,065 6/1961 Margulis ..... 211/87  
D. 174,257 3/1955 Goldbert ..... D6/120

*Primary Examiner*—Susie J. Mercer  
*Assistant Examiner*—B. J. Bullock  
*Attorney, Agent, or Firm*—Leigh B. Taylor

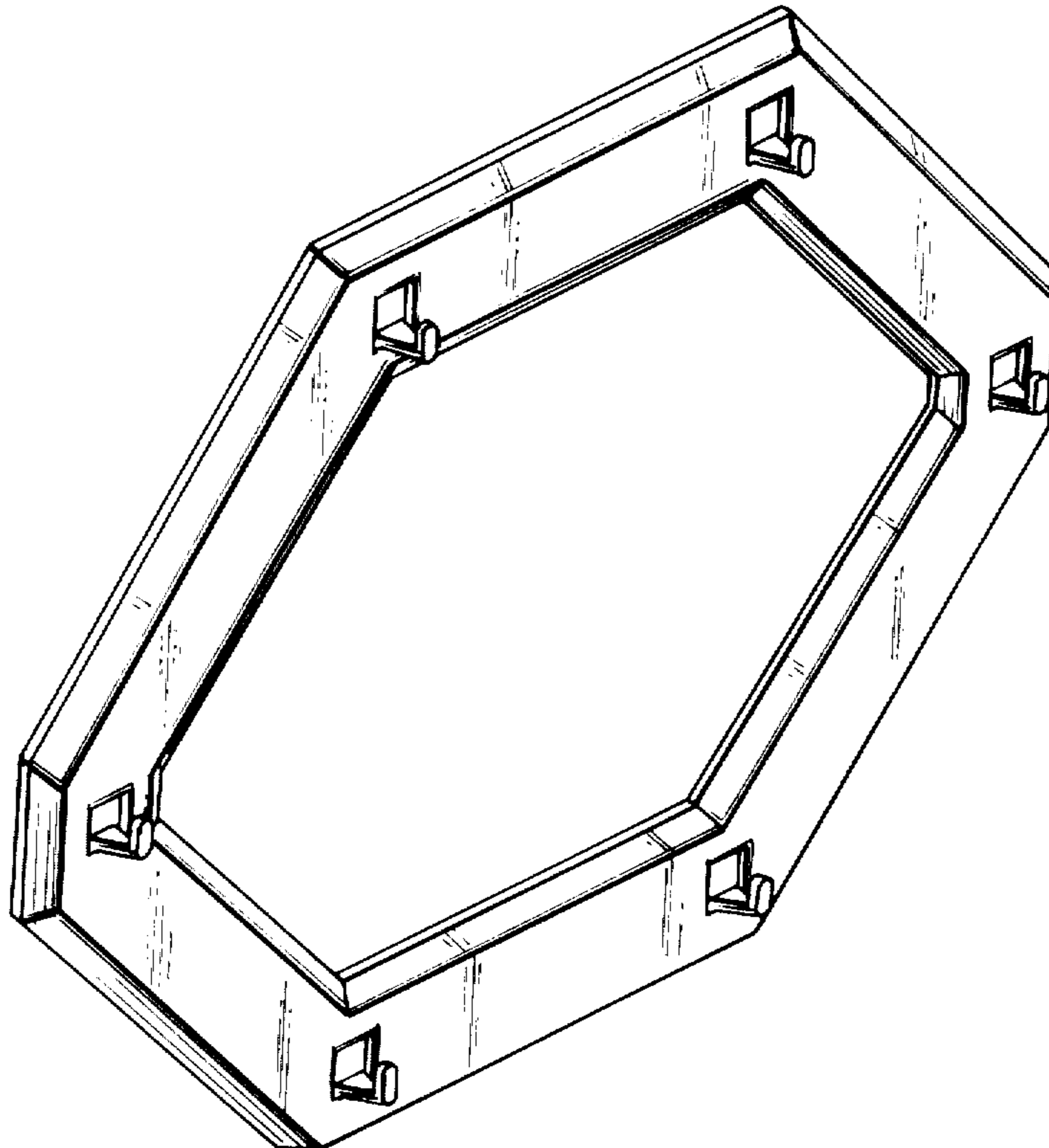
[57] **CLAIM**

The ornamental design for a measuring cup rack, substantially as shown.

**DESCRIPTION**

FIG. 1 is a perspective view of a measuring cup rack embodying my new design;  
FIG. 2 is a front elevational view thereof;  
FIG. 3 is a side elevational view thereof;  
FIG. 4 is a rear elevational view thereof; and  
FIG. 5 is a bottom plan view thereof.

[56] **References Cited**  
U.S. PATENT DOCUMENTS  
2,572,797 10/1951 Zimmer ..... 211/87



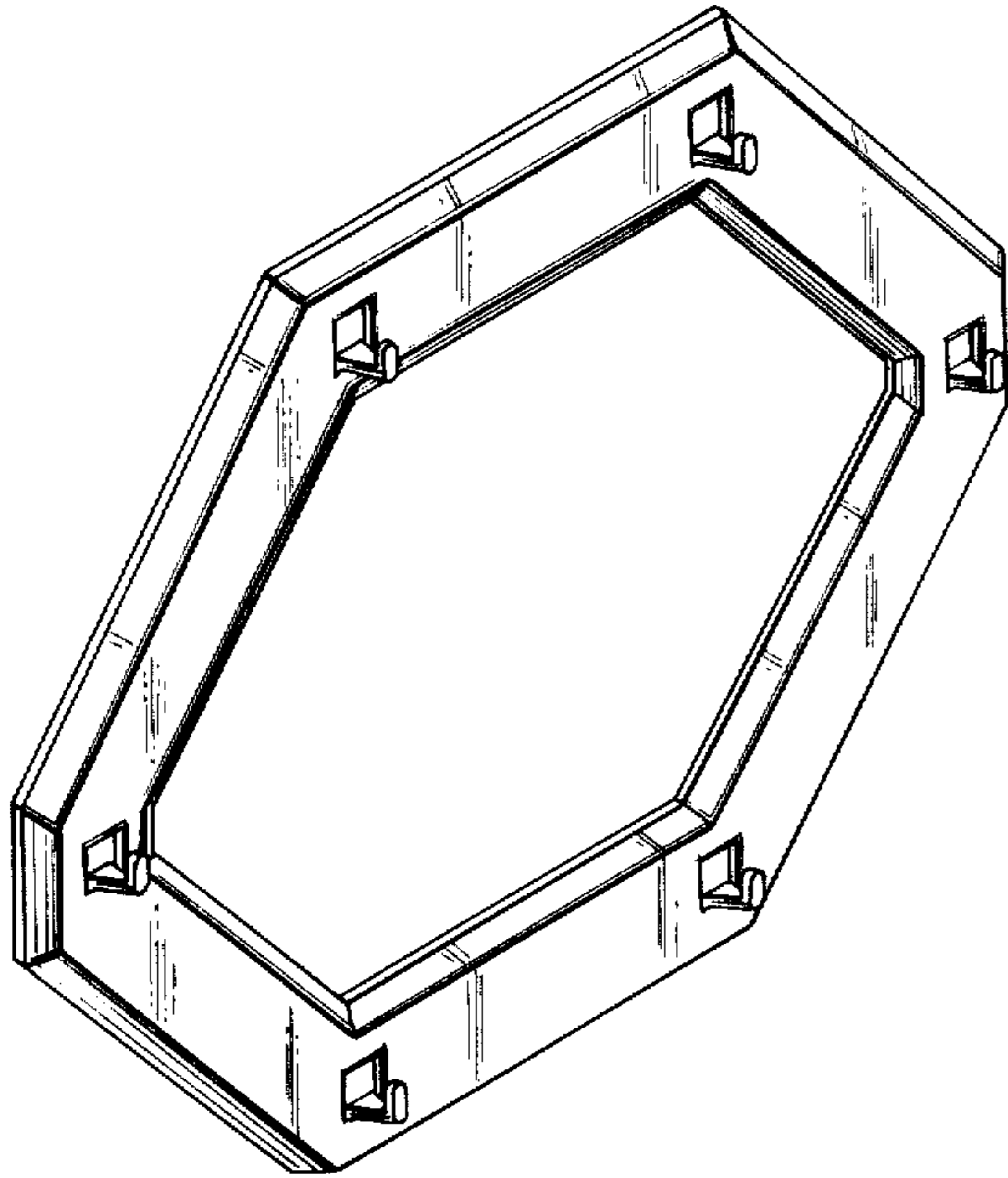


FIG. 1

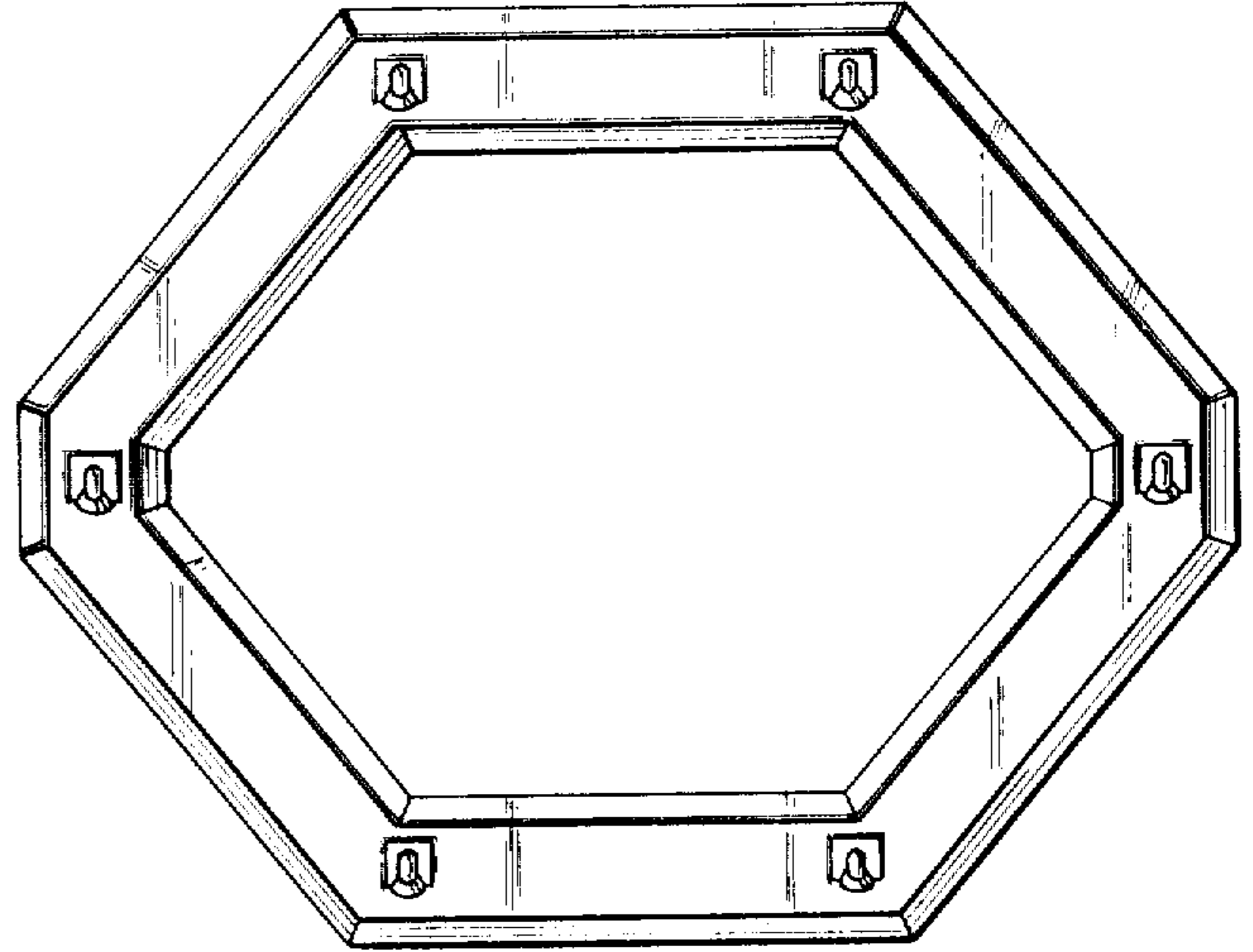


FIG. 2



FIG. 3

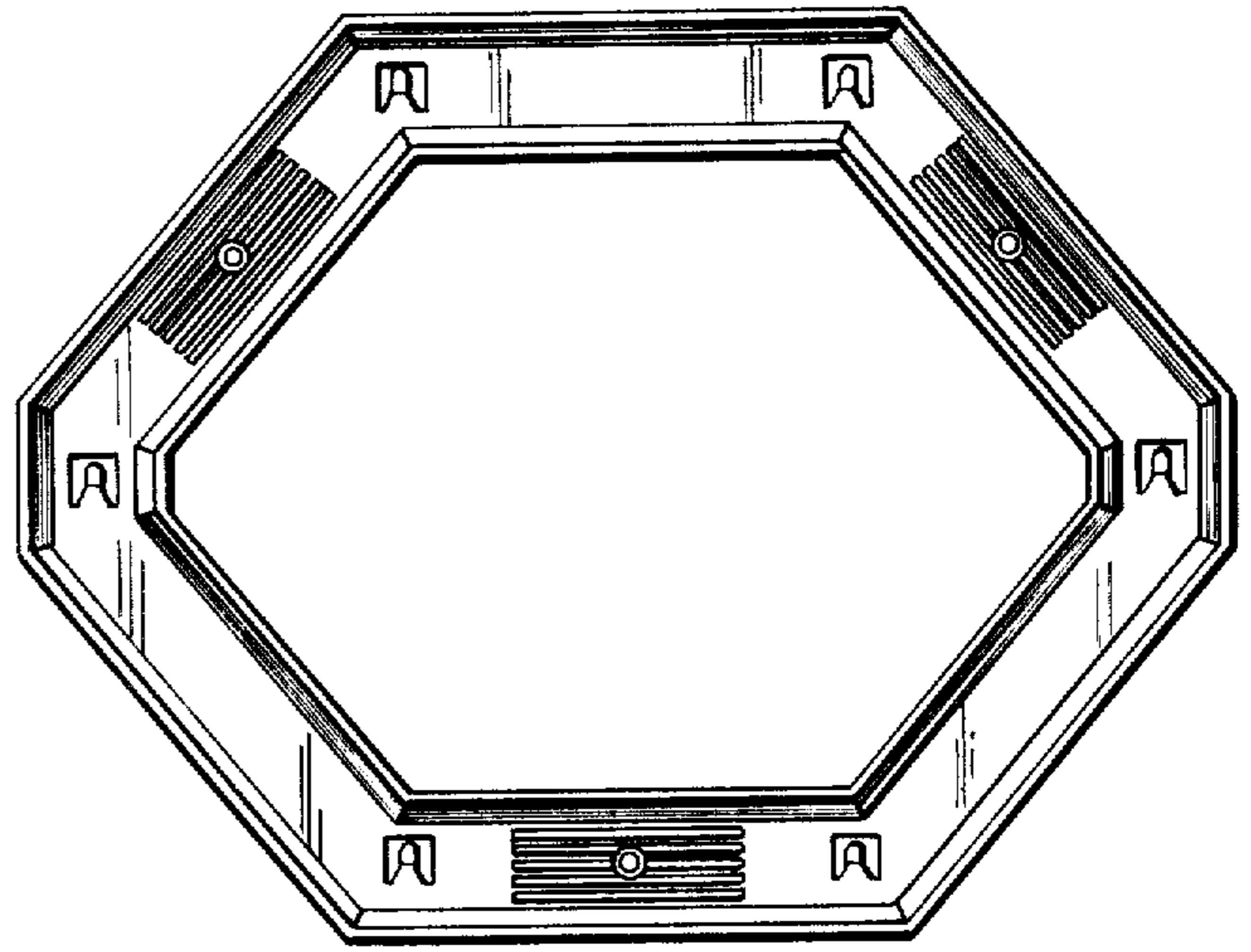


FIG. 4



FIG. 5