

[54] **BABY CARRIER**

[76] Inventors: **Robert K. Lieding**, 348 Wilson Ave.;
Richard E. Cone, 249 Bowman Drive, both of Kent, Ohio 44240

[**] Term: **14 Years**

[21] Appl. No.: **614,139**

[22] Filed: **Sept. 17, 1975**

[51] Int. Cl. **D6-01**

[52] U.S. Cl. **D6/7**

[58] Field of Search D6/1, 4, 5-12,
D6/66, 65

[56] **References Cited**

U.S. PATENT DOCUMENTS

3,325,213 6/1967 Levy D6/7 X
D. 169,398 4/1953 Terzia, Jr. et al. D6/7

OTHER PUBLICATIONS

"Infanseat" catalog for 1970, "Le Voyager" baby seat, model No. 660.

Primary Examiner—Bruce W. Dunkins
Attorney, Agent, or Firm—Donald R. Bahr

[57] **CLAIM**

The ornamental design for a baby carrier, as shown.

DESCRIPTION

FIG. 1 is a view in front elevation of a baby carrier showing our design;

FIG. 2 is a side view showing the design of this invention;

FIG. 3 is a back view showing the design of this invention;

FIG. 4 is a top plan view showing the design of this invention; and

FIG. 5 is a bottom view showing the design of this invention.

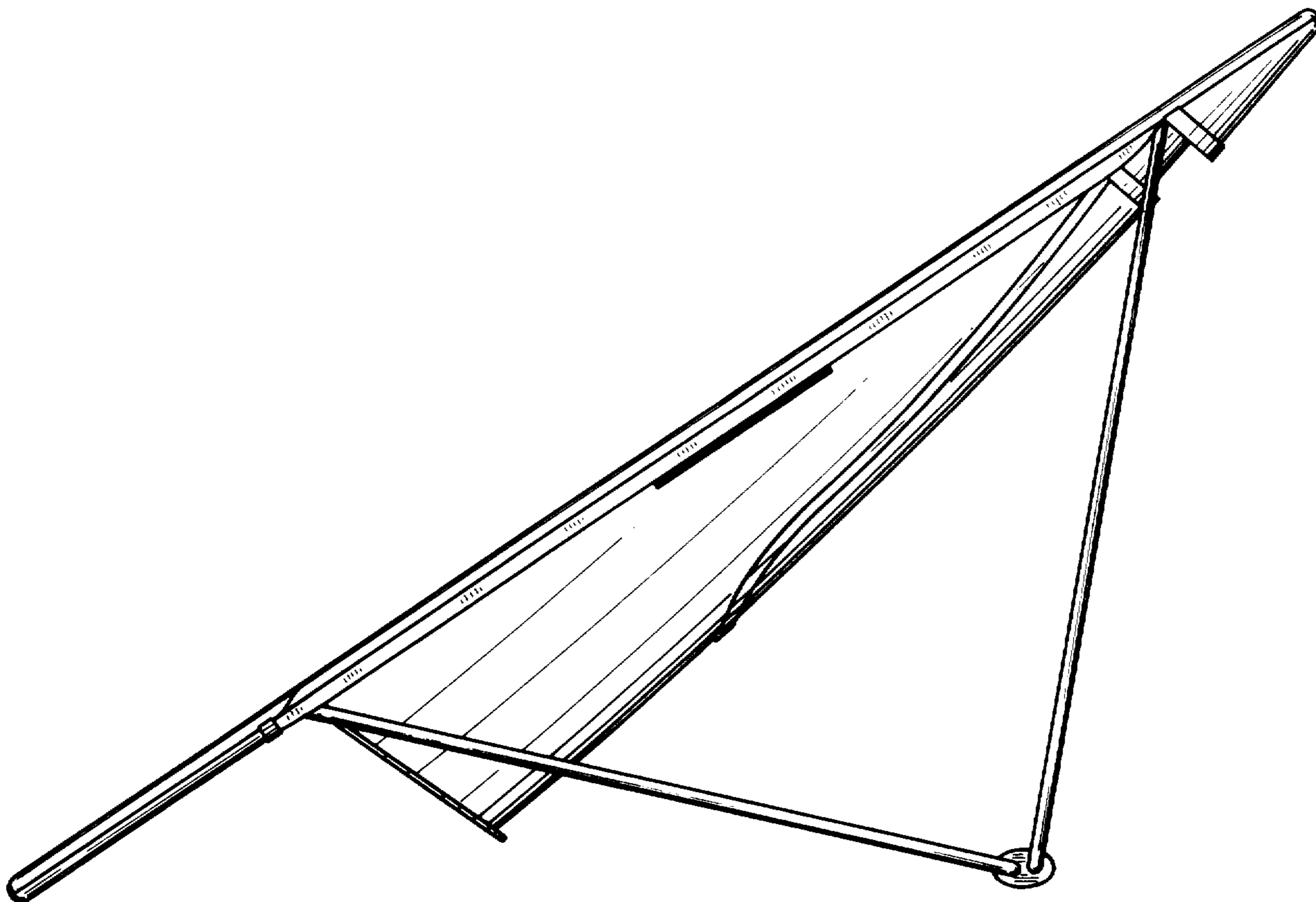
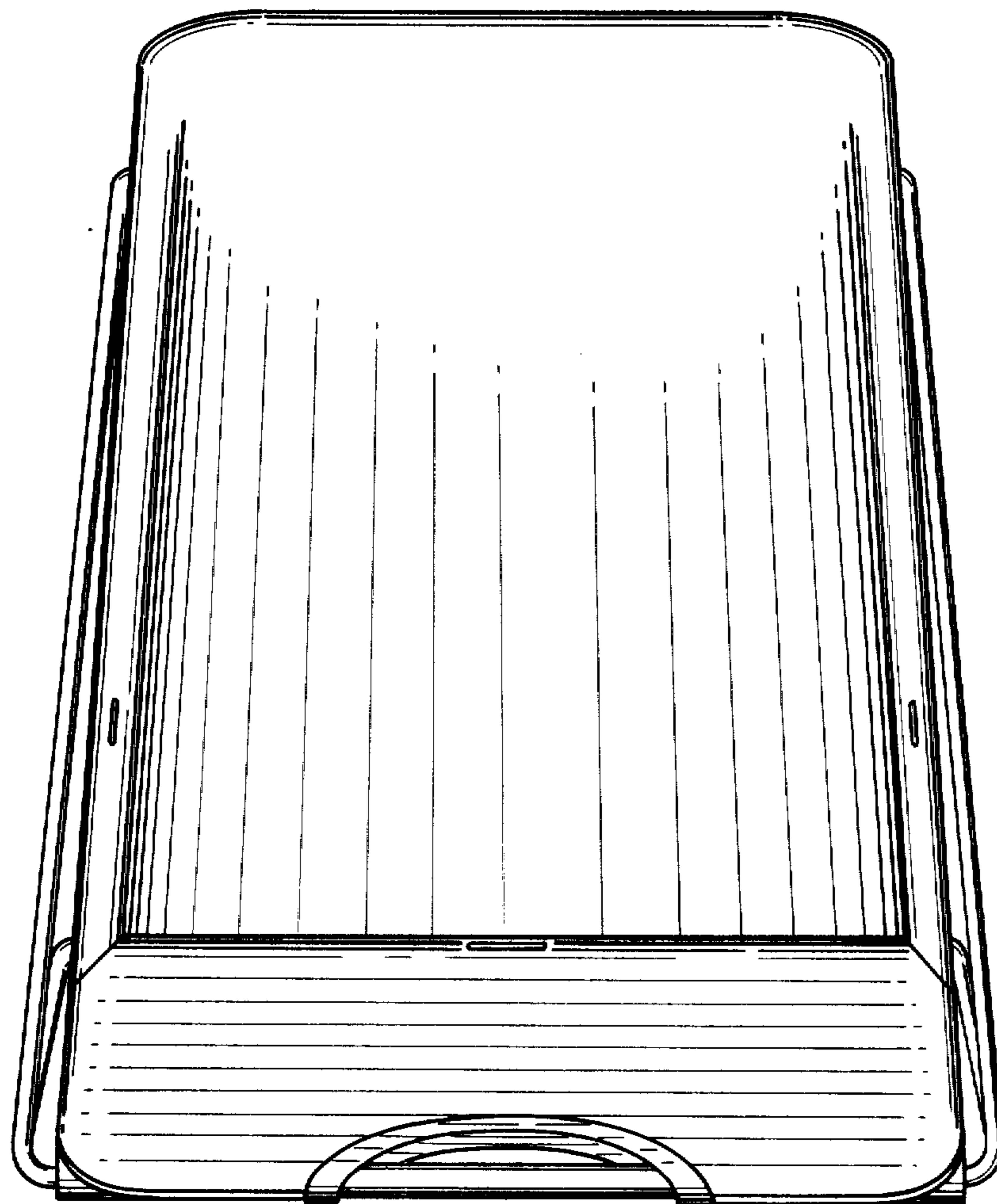


FIG. 1



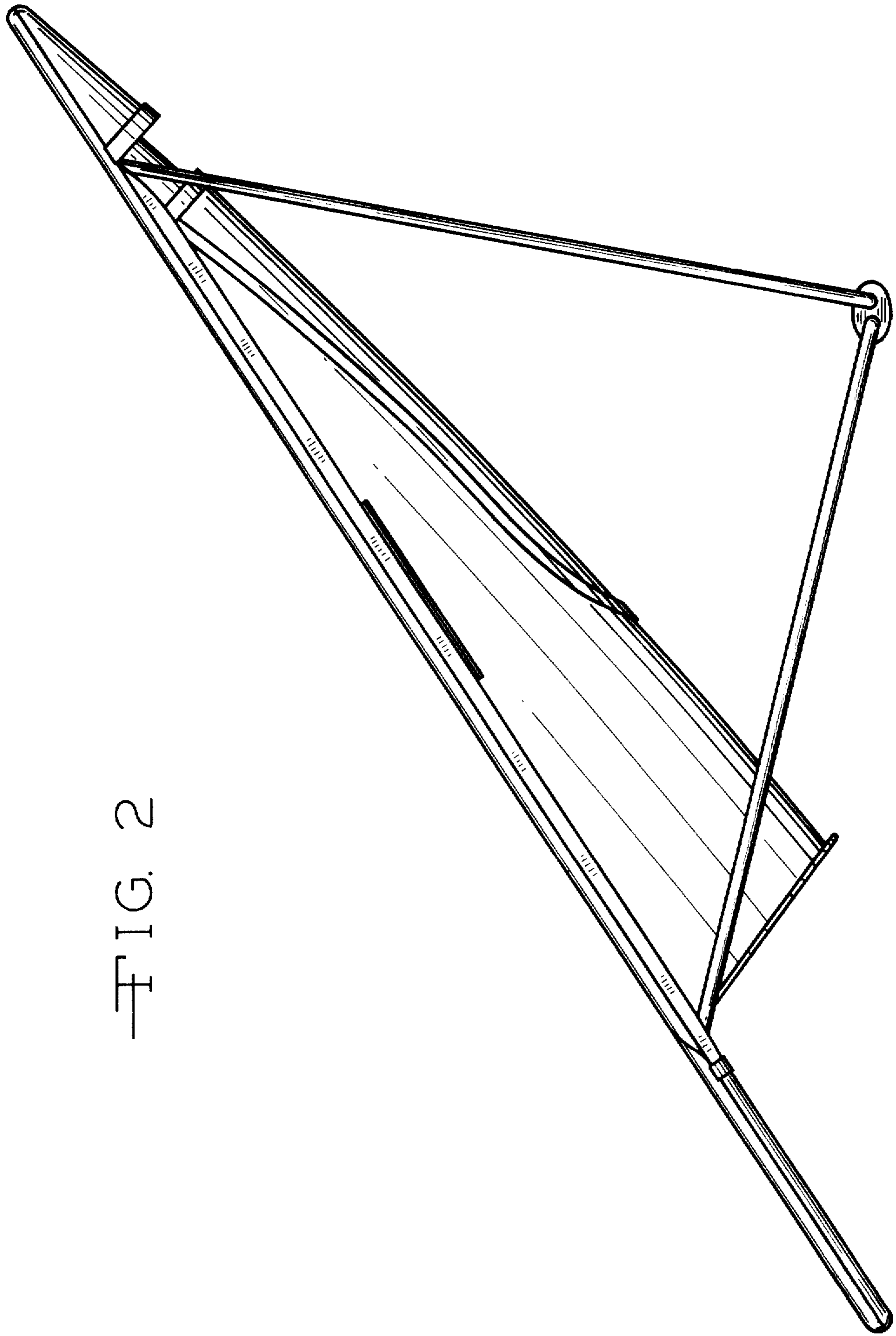
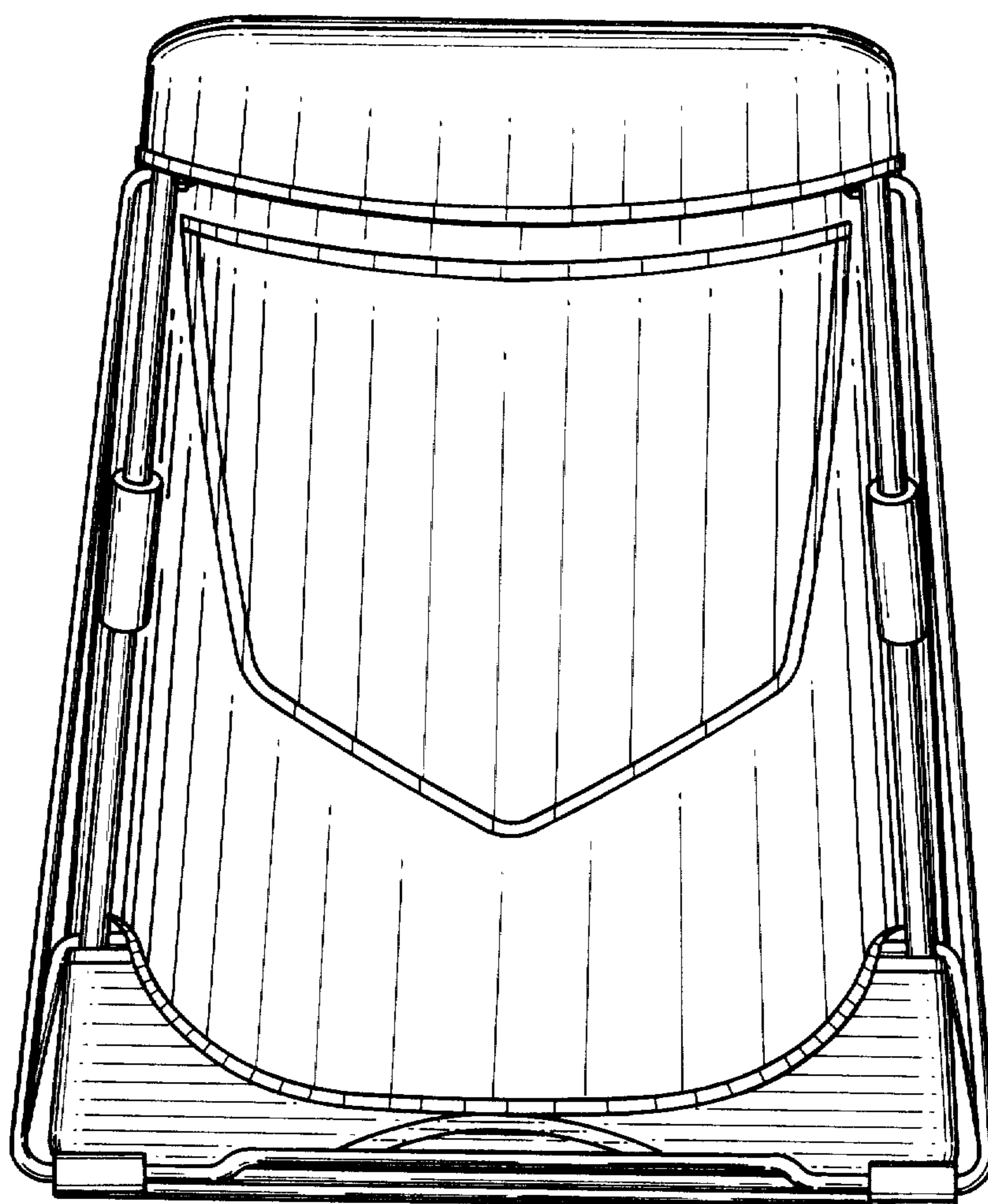


FIG. 2

—FIG. 3



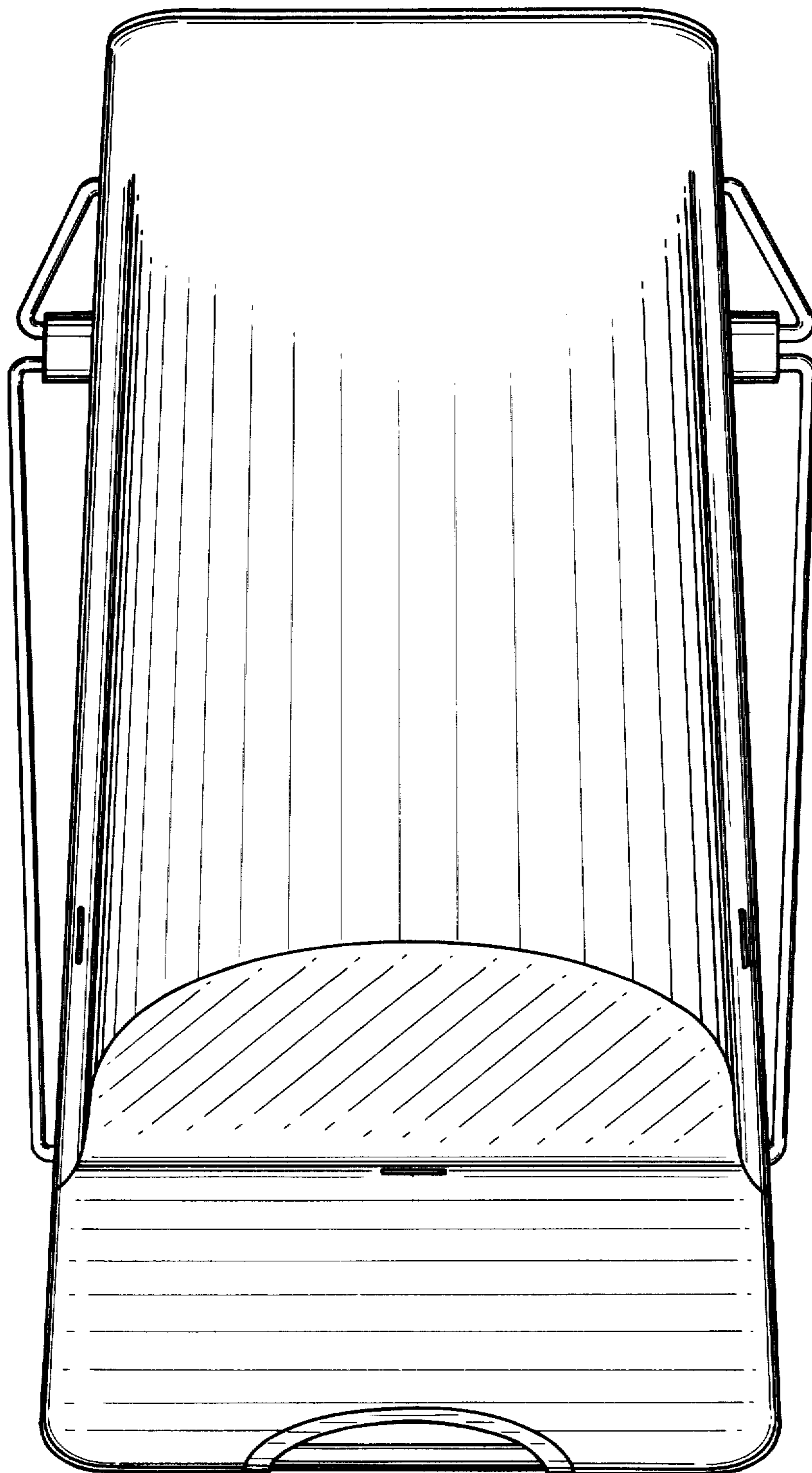
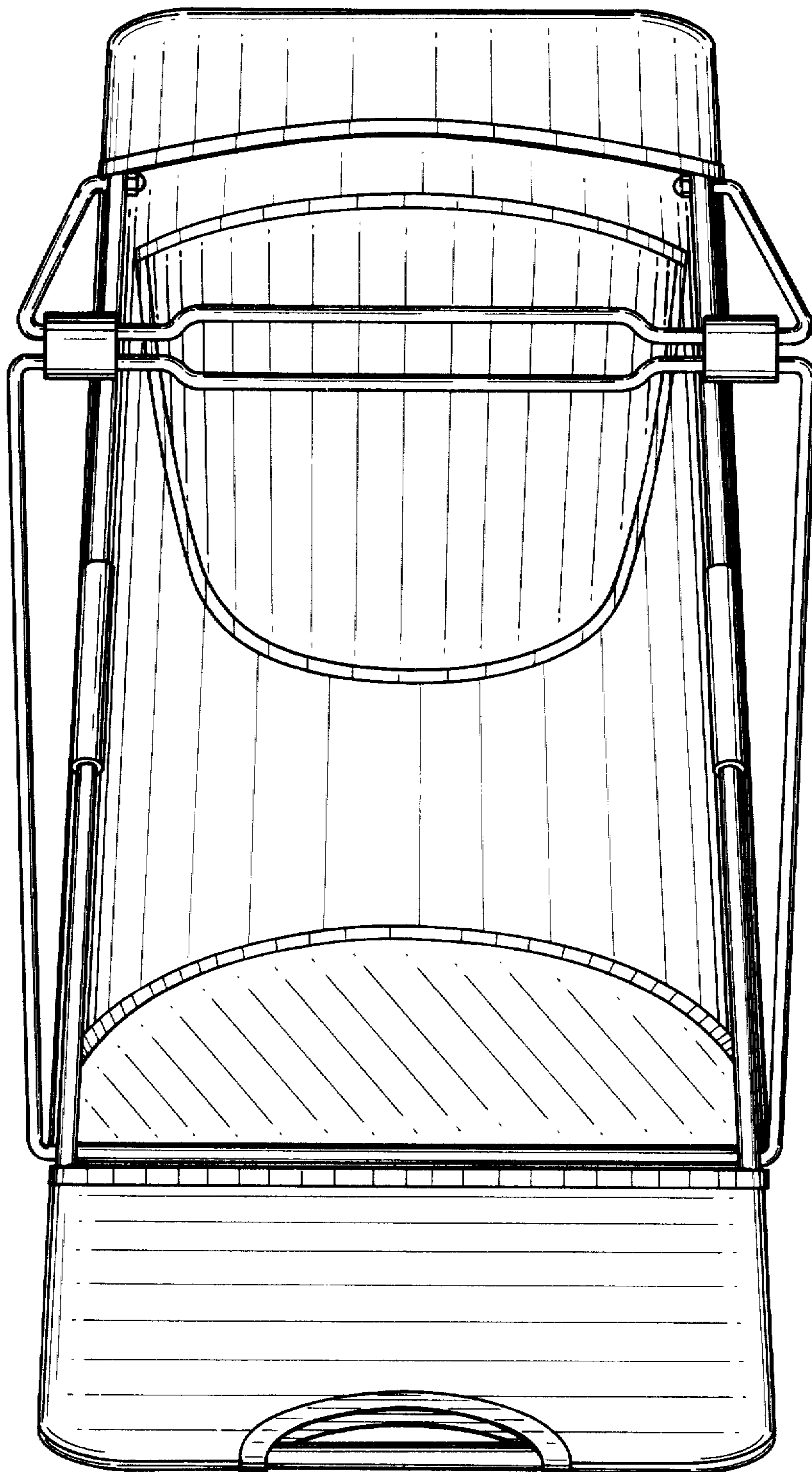


FIG. 4



—FIG. 5